

Vogt Tube Ice machines HELS (High Efficiency LowSide)

In 1938, Vogt Ice revolutionized the ice making industry by introducing the world's first automatic sized icemaker. Today, Vogt Tube-Ice machines enjoy a well-earned reputation as the most energy efficient, dependable ice machines on the market.

Heavy-duty industrial construction, automatic operation, and the best warranty in the business make the Vogt Tube-Ice machines the only "clear" choice for your ice making needs.

Two settings are available:

- Cylinder (Tube-Ice) only
 - 7/8" Diameter X 3/4" long
 - 1 1/8" Diameter X 1" long
- Crushed Ice only
 - 3/16" to 1/4" thick on all models (approx.)

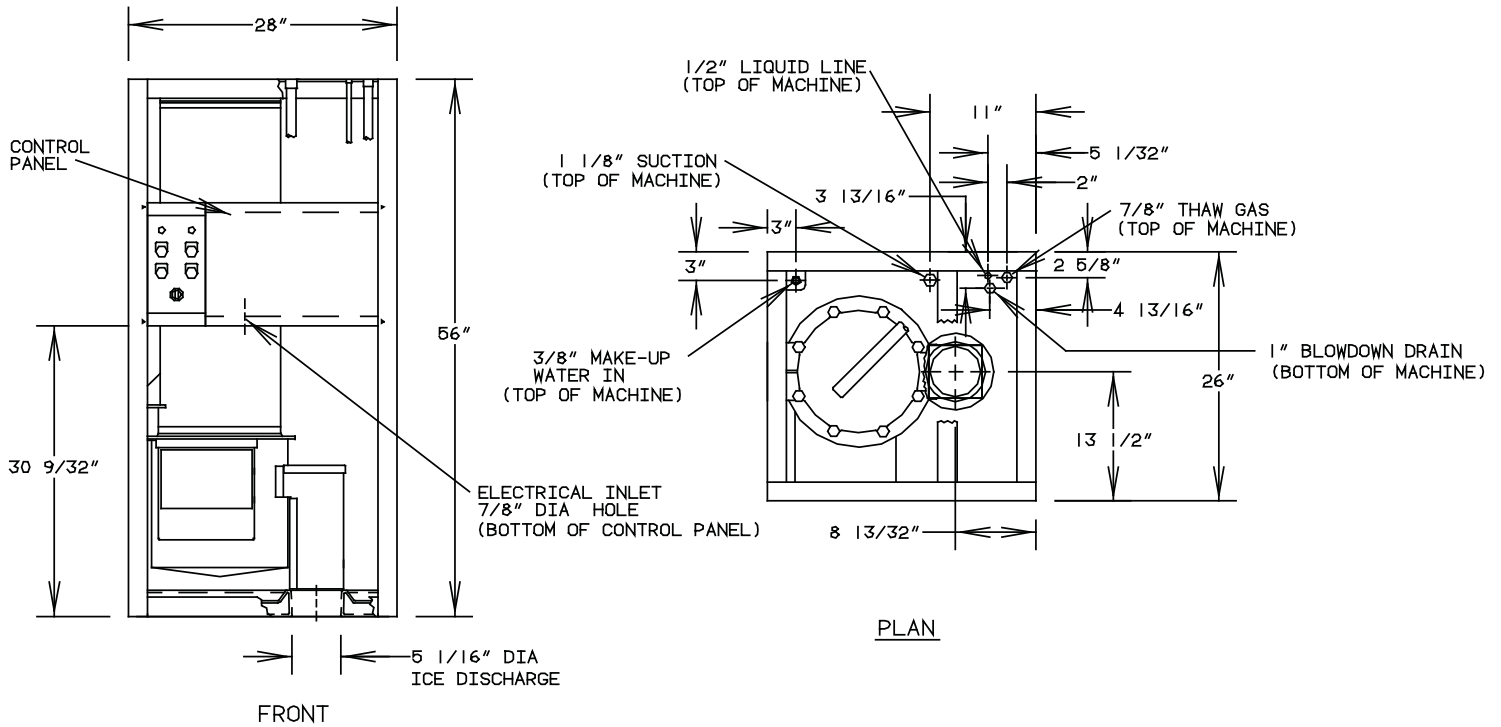
HELs Features:

- 25 Year Life expectancy
- 25 Year evaporator warranty
- 3 year labor warranty*
- 3 year parts warranty
- Run on "medium" or "low" temperature rack system
- Manufactured in accordance with the A.S.M.E. code
- Environmentally friendly using R404A
- Optional CE marking



*U.S. Domestic installations only.

www.vogtice.com



Note: Standard machine for Rack System Only

Ice Machine Electrical Information				Motor Information				Line Size Connections		
Voltage	F.L.A.	Min Ampacity	Max Fuse Size	Water Pump		Cutter Motor		Ice Making		3/8"
				HP	F.L.A.	HP	F.L.A.	Drain/Drip Pan		1/2"
208/230V, 1ph, 60hz	6.6	7.6	15	1/3	2.7	1/2	4.1	Refrigerant Line Sizes	Suction line	1 1/8"
200V, 1ph, 50hz	7.6	8.7	15	1/3	3.3	1/2	5.1		Thaw Gas line	7/8"
									Liquid line	1/2"

Suction Temperature at Freezer	Water Temperature	7/8" Diameter Ice			1 1/8" Diameter Ice		
		25.0 ° F	20.0 ° F	15.0 ° F	25.0 ° F	20.0 ° F	15.0 ° F
		Ice Production Rate, Refrigeration Required					
85° F	Ice Capacity Refrig. Req'd.	1923 lbs/24 hrs 1.92 tons	2931 lbs/24 hrs 2.84 tons	3729 lbs/24 hrs 3.57 tons	1326 lbs/24 hrs 1.38 tons	2022 lbs/24 hrs 2.01 tons	2572 lbs/24 hrs 2.51 tons
75° F	Ice Capacity Refrig. Req'd.	1984 lbs/24 hrs 1.88 tons	3025 lbs/24 hrs 2.79 tons	3848 lbs/24 hrs 3.50 tons	1368 lbs/24 hrs 1.35 tons	2086 lbs/24 hrs 1.97 tons	2654 lbs/24 hrs 2.46 tons
65° F	Ice Capacity Refrig. Req'd.	2048 lbs/24 hrs 1.84 tons	3122 lbs/24 hrs 2.72 tons	3971 lbs/24 hrs 3.42 tons	1412 lbs/24 hrs 1.32 tons	2153 lbs/24 hrs 1.93 tons	2738 lbs/24 hrs 2.41 tons
55° F	Ice Capacity Refrig. Req'd.	2118 lbs/24 hrs 1.80 tons	3228 lbs/24 hrs 2.66 tons	4106 lbs/24 hrs 3.34 tons	1461 lbs/24 hrs 1.30 tons	2226 lbs/24 hrs 1.89 tons	2832 lbs/24 hrs 2.36 tons
45° F	Ice Capacity Refrig. Req'd.	2188 lbs/24 hrs 1.76 tons	3335 lbs/24 hrs 2.59 tons	4242 lbs/24 hrs 3.25 tons	1509 lbs/24 hrs 1.26 tons	2300 lbs/24 hrs 1.84 tons	2926 lbs/24 hrs 2.29 tons

Refrigeration required and machine capacity are based on suction pressure/ temperature setting of the machines EPR (evaporator pressure regulator) valve.

For crushed ice ratings, multiply capacity by 1.04.

Minimum harvest gas temperature is 40°F.

Ratings based on 70°F ambient conditions and 0% blowdown.



Revision Date: 01/10

Vogt
Tubelce | Turbo
Engineered to Endure

Vogt Ice, LLC
1000 West Ormsby Ave.,
Louisville KY 40210
Phone: 502-635-3000
E-mail: info@vogtice.com