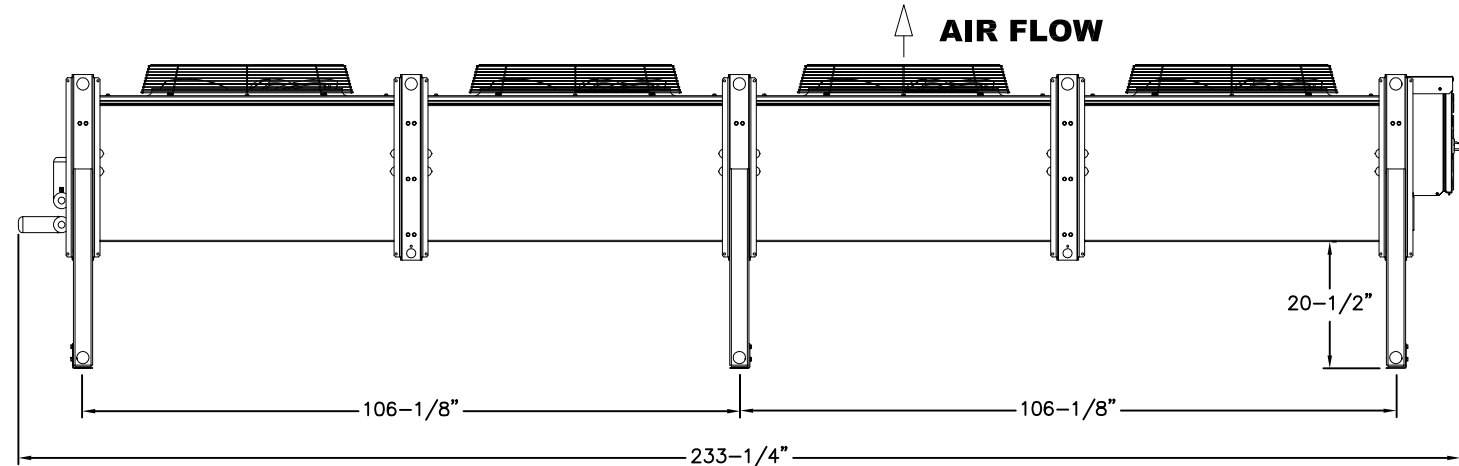
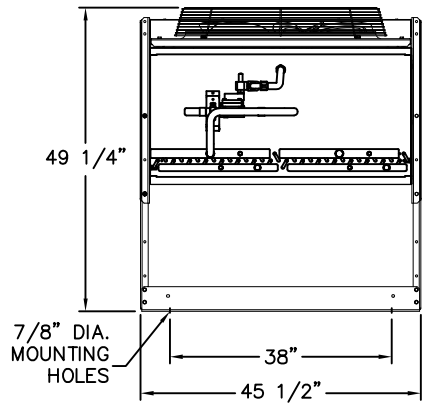
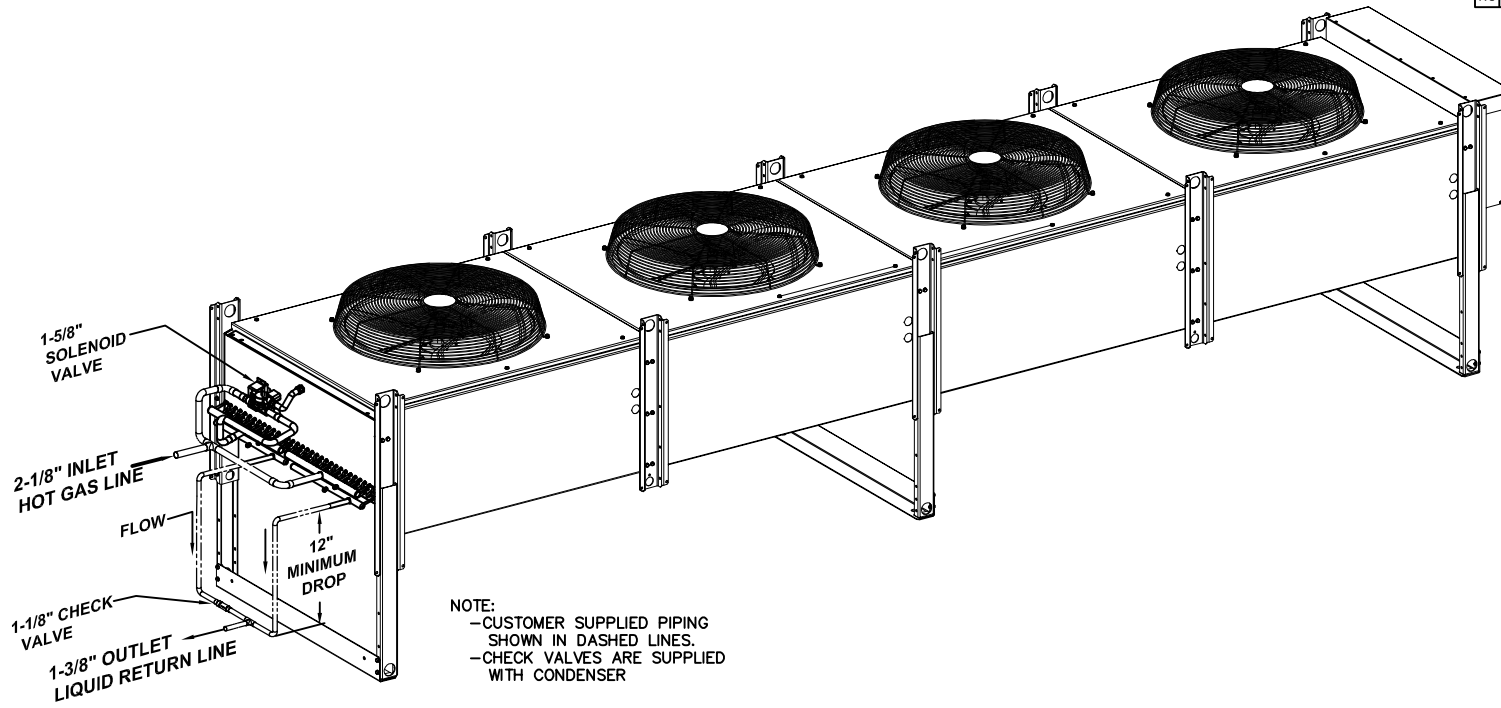


REVISION RECORD				
NO	DATE	FROM	TO	BY CK



This drawing contains TUBE ICE, LLC confidential and proprietary information and cannot be used, distributed or disclosed in whole or in part, except with the express written permission of TUBE ICE, LLC.
 Except as expressly stated in any written contract, ALL WARRANTIES RELATING TO THIS DRAWING, INCLUDING THE WARRANTIES OF MERCHANTABILITY AND FITNESS, ARE DISCLAIMED.
 © 2004 TUBE ICE, LLC all rights reserved on an unpatented work.

DWN. BY	Mirek Radzaj
CKD. BY	
RLSD. BY	
DATE	11/16/2010
SCALE	N/A

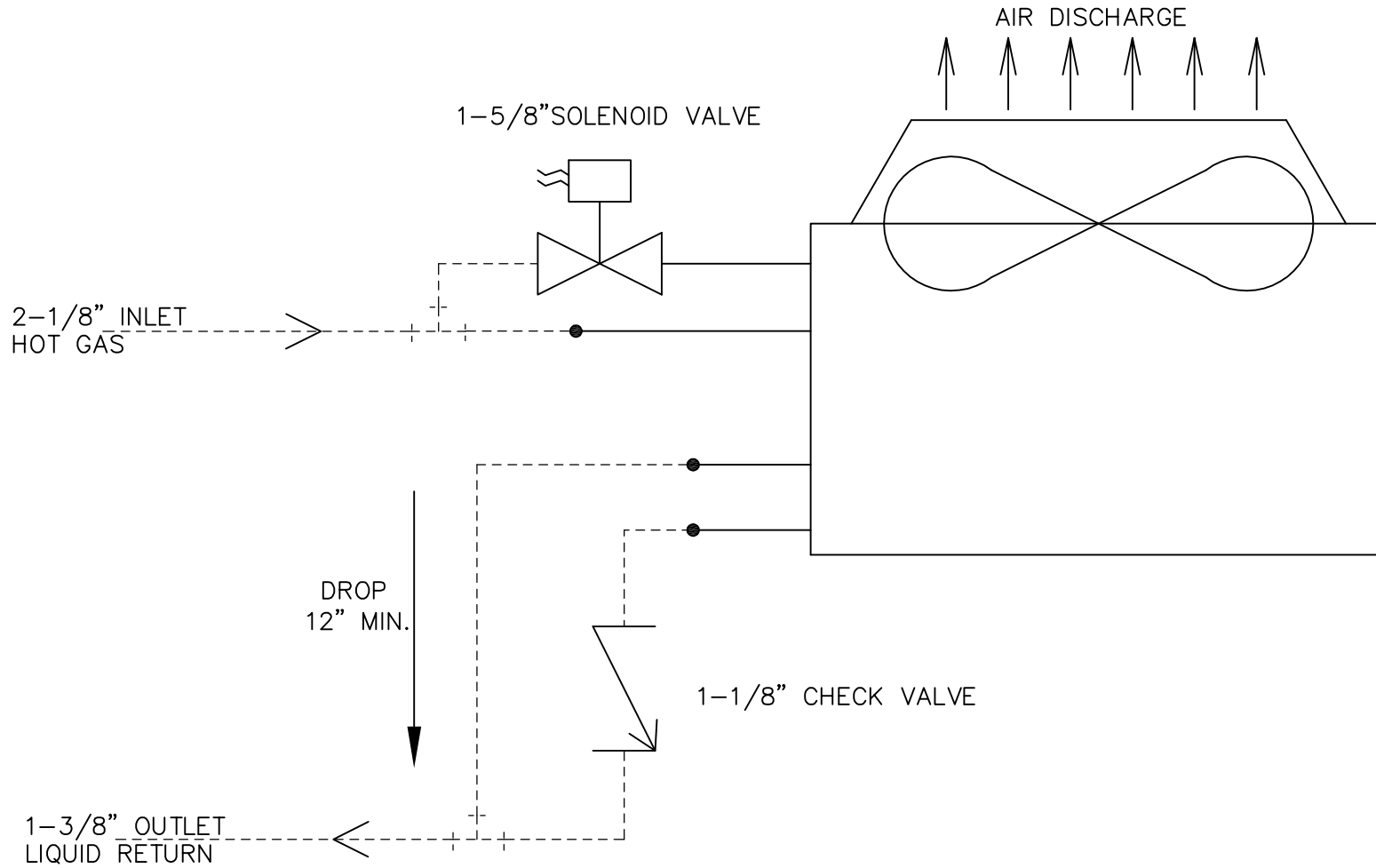
TUBE ICE, LLC
 1000 W. GRMSBY AVE., LOUISVILLE, KY. 40210

BOHN BNHS04A029
AIR-COOLED CONDENSER

PART NO. 12A2115B11

DRG. NO. 81885

REVISION RECORD				
NO	DATE	FROM	TO	BY CK



This drawing contains TUBE ICE, LLC confidential and proprietary information and cannot be used, duplicated or disclosed in whole or in part, except with the express written permission of TUBE ICE, LLC.
Except as expressly stated in any written contract, ALL WARRANTIES RELATED TO THIS DRAWING, INCLUDING THE WARRANTIES OF MERCHANTABILITY AND FITNESS, ARE DISCLAIMED.
© 2004 TUBE ICE, LLC all rights reserved as an unpatented work.

DWN. BY Mirek Radzaj
 CKD. BY _____
 RLSD. BY _____
 DATE 11/16/2010
 SCALE N/A

TUBE ICE, LLC
 1000 W. ORMSBY AVE., LOUISVILLE, KY. 40210

PIPING SCHEMATIC
 BOHN BNHS04A029
 AIR-COOLED CONDENSER

PART NO. 12A2115B11
 DRG. NO. 81885 | SHEET 1 OF 1 | C