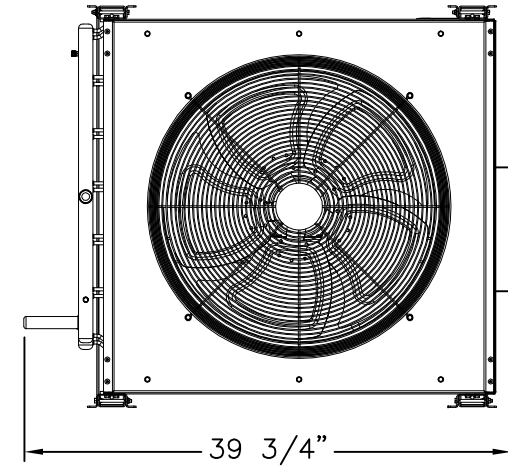
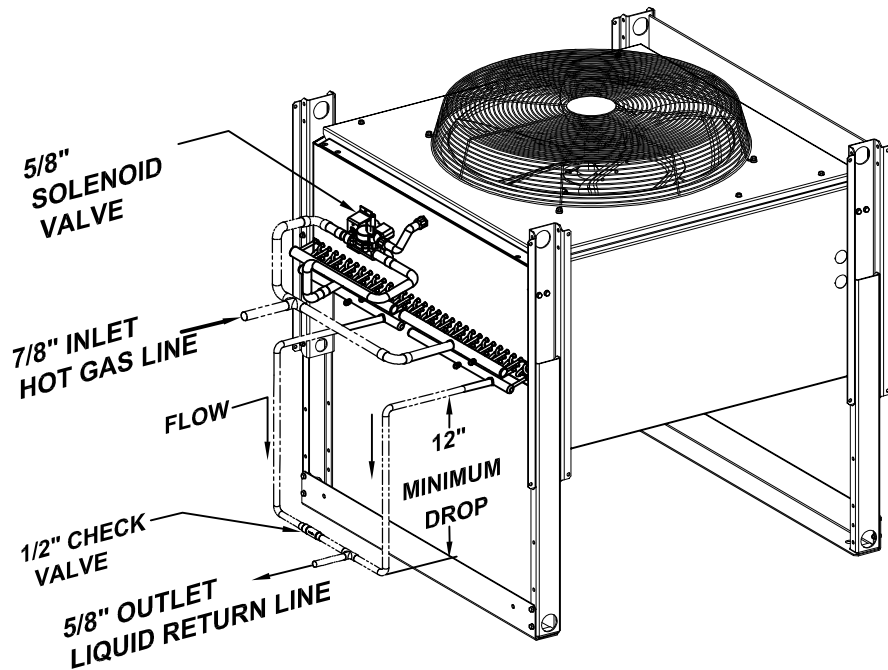
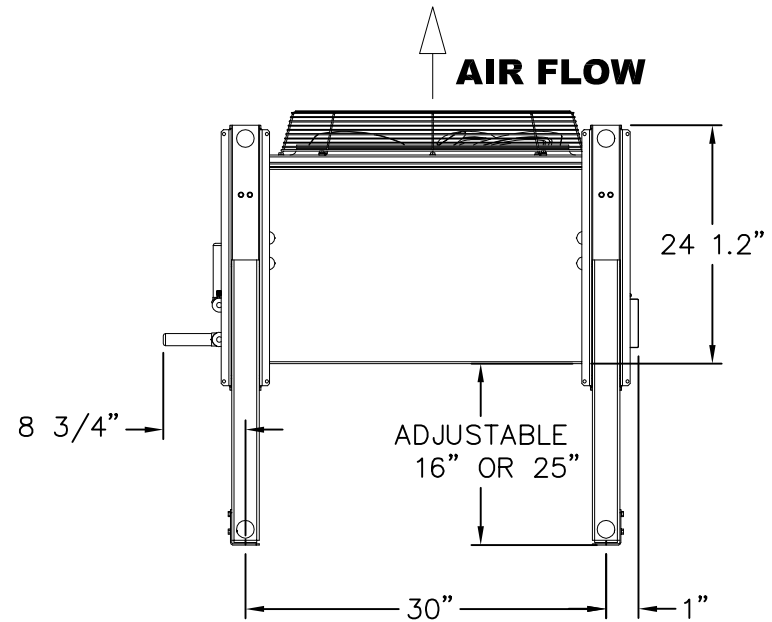
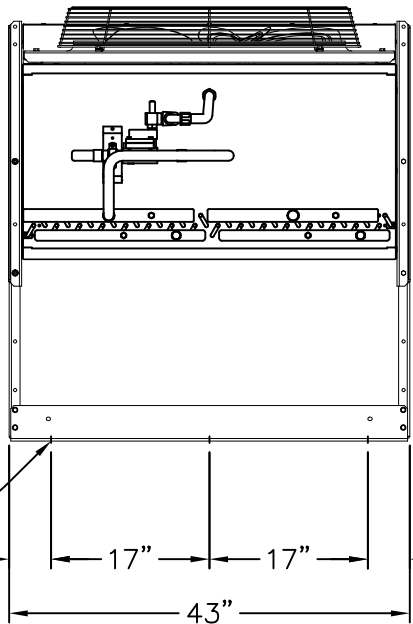


REVISION RECORD				
NO	DATE	FROM	TO	BY



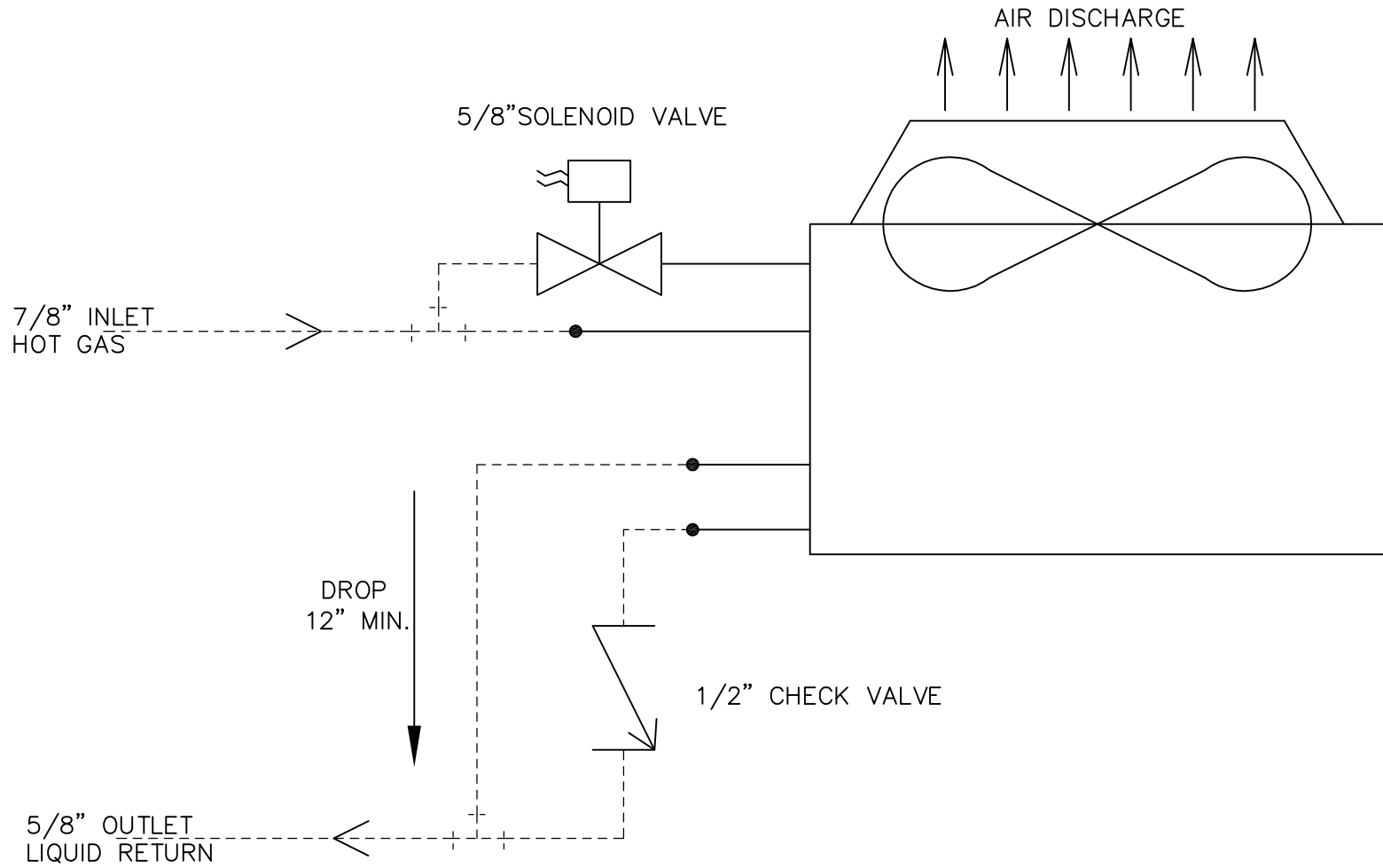
NOTE:
 -CUSTOMER SUPPLIED PIPING SHOWN IN DASHED LINES.
 -CHECK VALVE IS SUPPLIED WITH CONDENSER



DWN. BY	Mirek Radzaj	 TUBE ICE, LLC 1000 W. ORMSBY AVE., LOUISVILLE, KY. 40210
CKD. BY		
RLSD. BY		BOHN DVT005 AIR-COOLED CONDENSER
DATE	11/16/2010	PART NO. 12A2115B03
SCALE	N/A	DRG. NO. 81879
		SHEET 1 OF 1 C


This drawing contains TUBE ICE, LLC confidential and proprietary information and cannot be used, duplicated or disclosed in whole or in part, except with the express written permission of TUBE ICE, LLC.
 Except as expressly stated in any written contract, ALL WARRANTIES RELATING TO THIS DRAWING, INCLUDING THE WARRANTIES OF MERCHANTABILITY AND FITNESS, ARE DISCLAIMED.
 © 2004 TUBE ICE, LLC all rights reserved in an unpatented work.

REVISION RECORD				
NO	DATE	FROM	TO	BY CK



This drawing contains TUBE ICE, LLC confidential and proprietary information and cannot be used, duplicated or disclosed in whole or in part, except with the express written permission of TUBE ICE, LLC.
Except as expressly stated in any written contract, ALL WARRANTIES RELATING TO THIS DRAWING, INCLUDING THE WARRANTIES OF MERCHANTABILITY AND FITNESS, ARE DISCLAIMED.
© 2004 TUBE ICE, LLC all rights reserved or an unaffiliated work.

DWN. BY	Mirek Rodzaj
CKD. BY	
RLSD. BY	
DATE	11/16/2010
SCALE	N/A

 TUBE ICE, LLC <small>1000 W. ORMSBY AVE., LOUISVILLE, KY. 40210</small>	
PIPING SCHEMATIC BOHN DVT005 AIR-COOLED CONDENSER	
PART NO. 12A2115B03	
DRG. NO. 81879	SHEET 1 OF 1 C