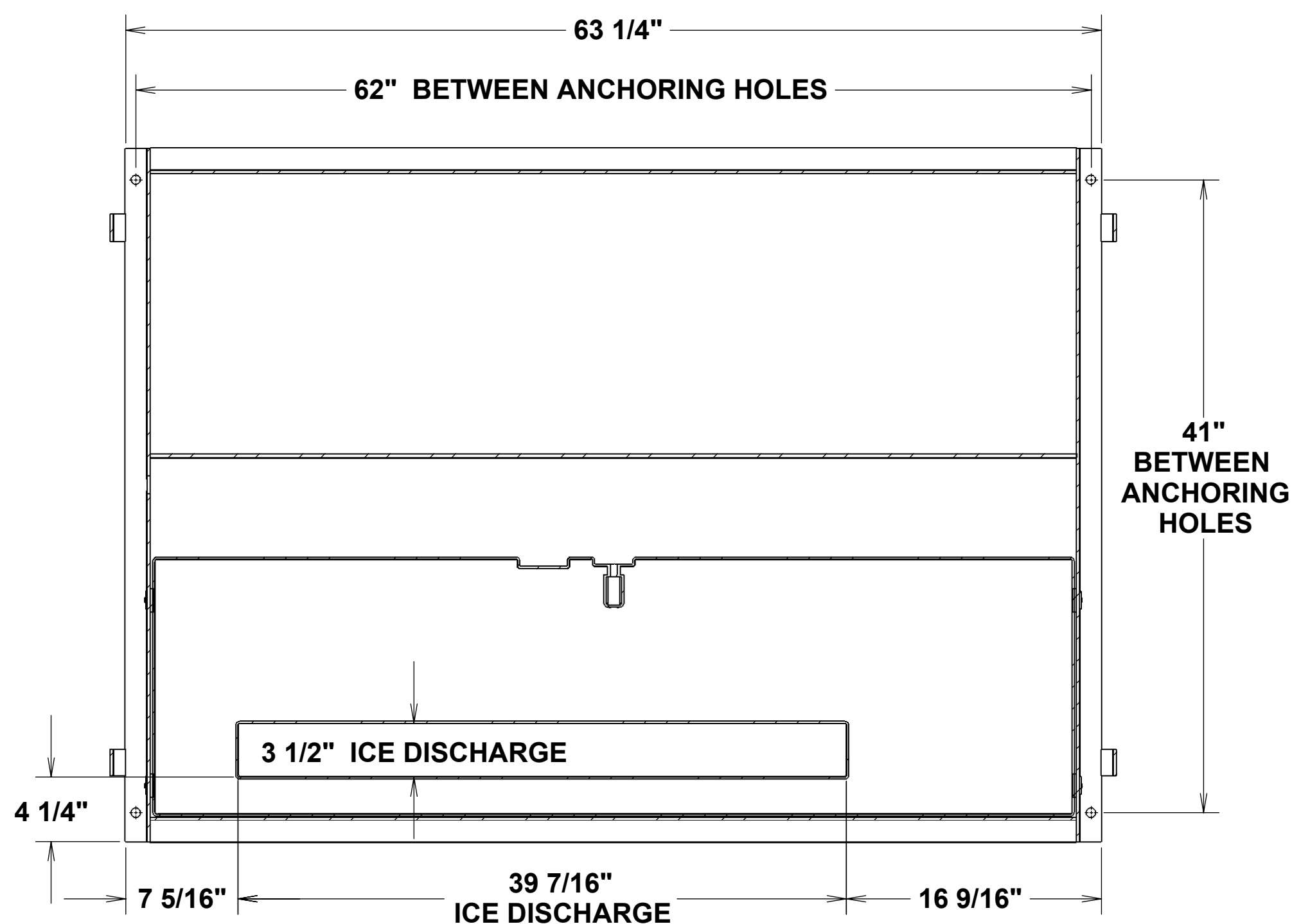
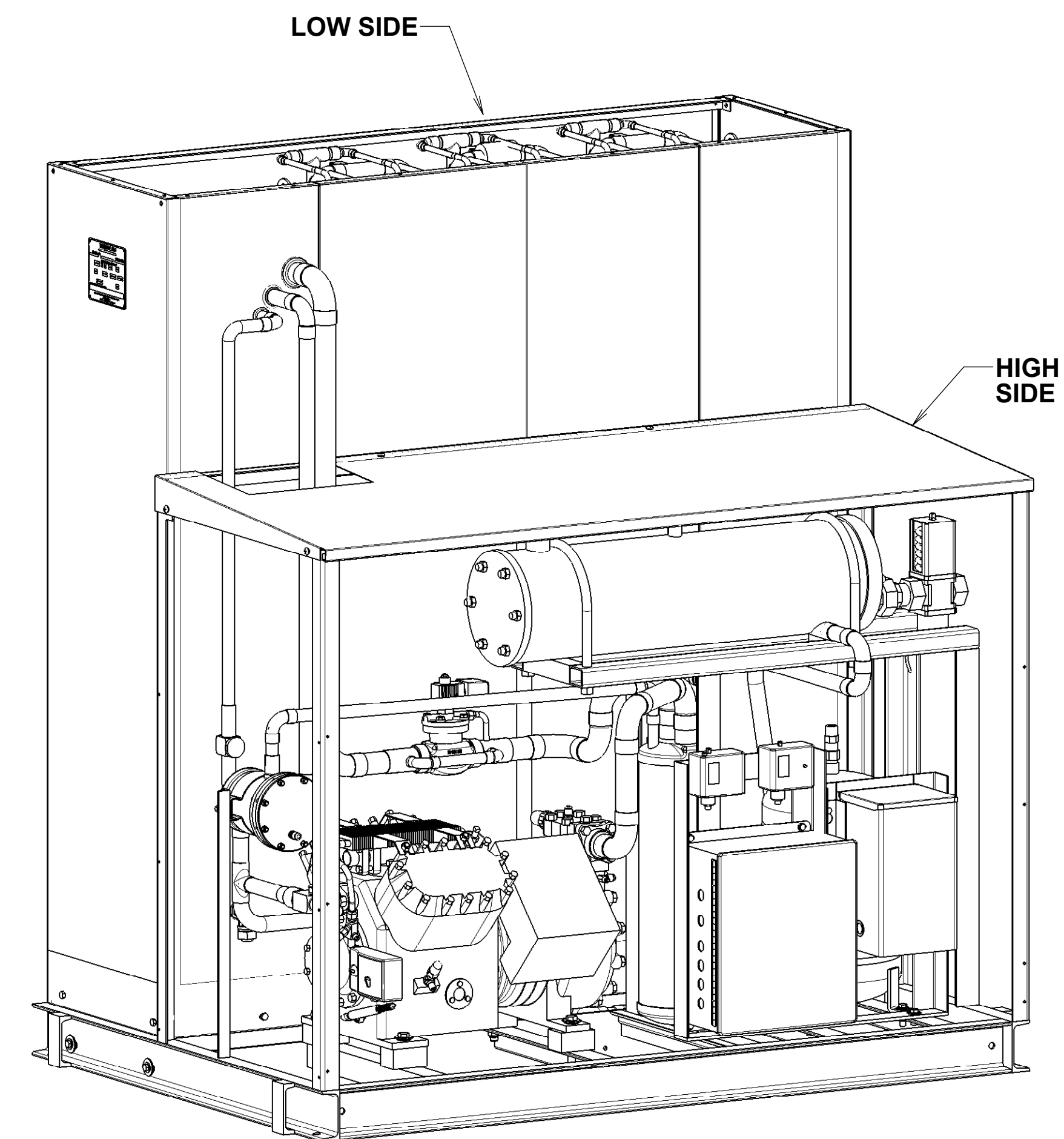


LOW SIDE - REAR VIEW WATER AND DRAIN CONNECTION



SECTION A-A ICE CHUTE LOCATION MACHINE FOOTPRINT



This drawing contains TUBE ICE, LLC confidential and proprietary information and cannot be used, duplicated, or disclosed in whole or in part, except with the express written permission of TUBE ICE, LLC.

EXCEPT AS HEREIN SPECIFICALLY STATED, ALL WARRANTIES, INCLUDING THE WARRANTIES OF MERCHANTABILITY AND FITNESS, ARE DISCLAIMED.

© 2010 TUBE ICE, LLC. All rights reserved as an intellectual work.

DWN. BY	MDR	<p>TUBE ICE, LLC 1000 W. ORMSBY AVE., LOUISVILLE, KY. 40210</p> <p>VT100 WATER COOLED MACHINE ASSEMBLY FOOTPRINT AND CONNECTIONS</p> <p>PART NO. -</p> <p>DRG. NO. 81907</p>
CKD. BY		
RLSD. BY		
DATE	6/12/2010	
SCALE	N/A	
		REV SHEET 1 of 1 D