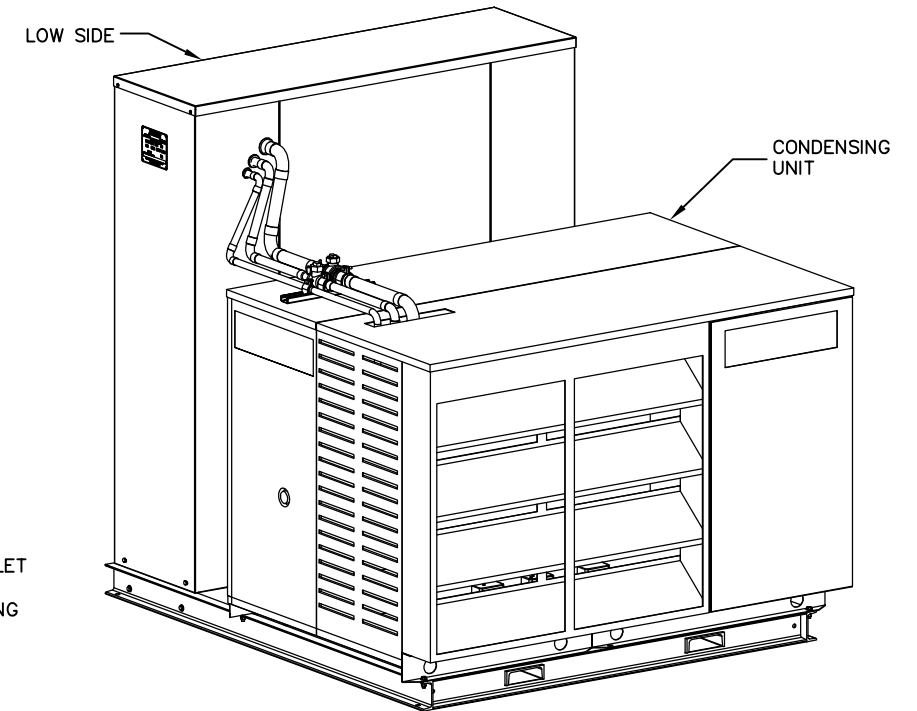
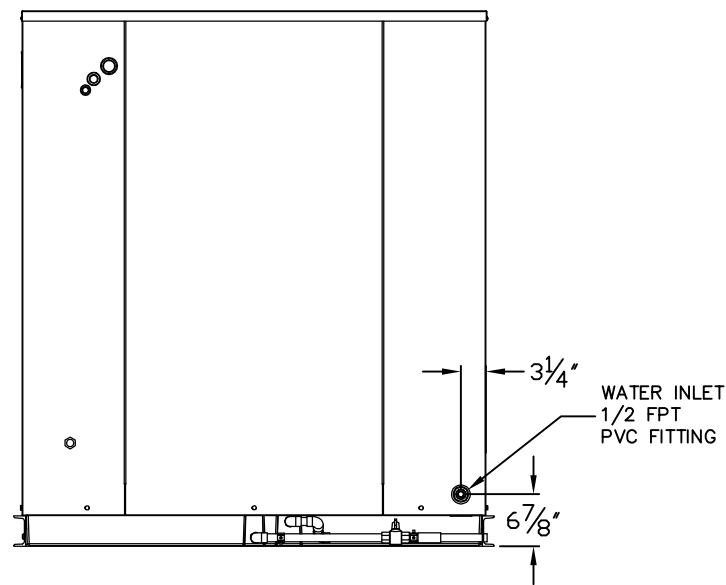
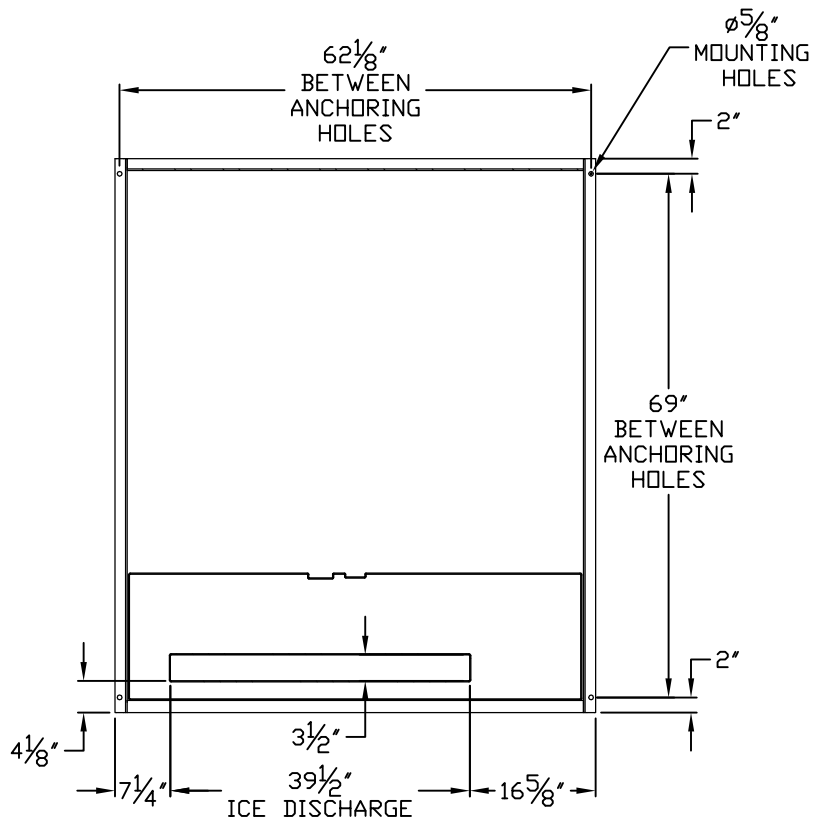
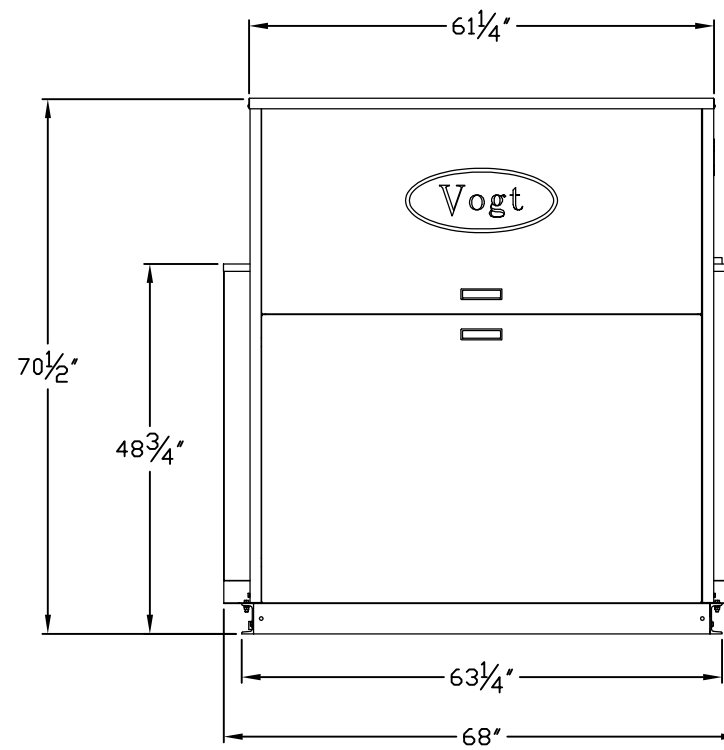
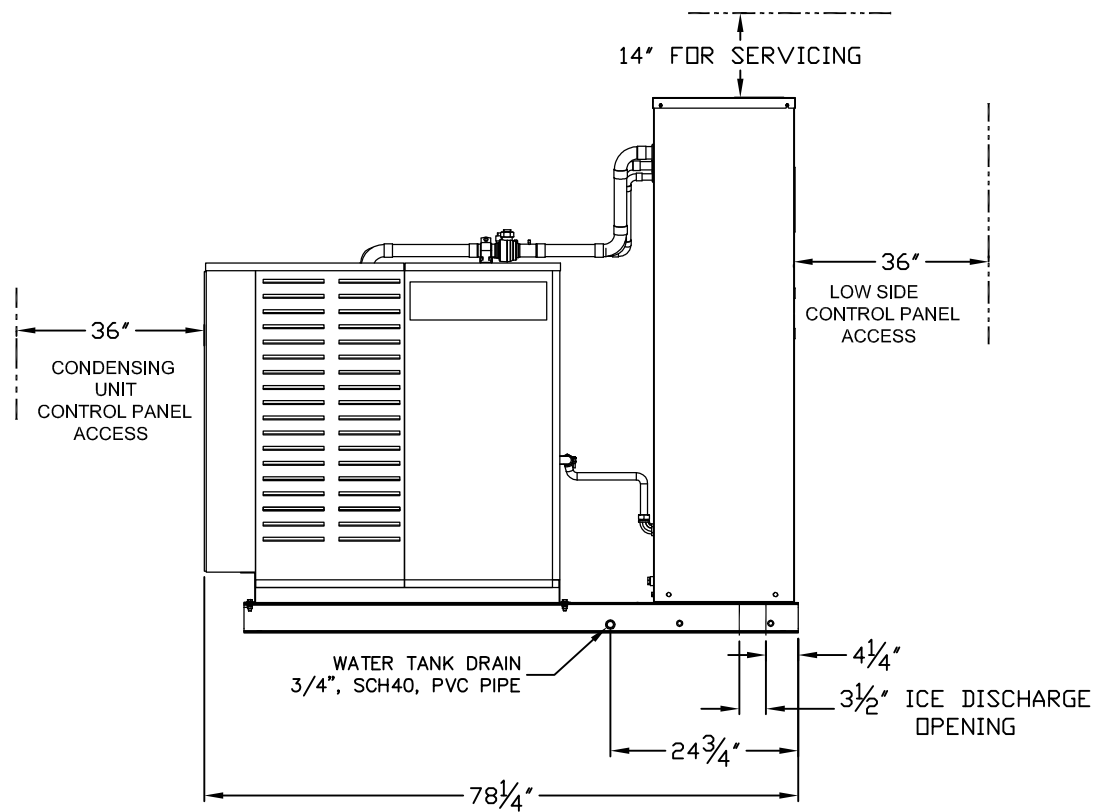


REVISION RECORD					
NO	DATE	FROM	TO	BY	CK



ICE CHUTE LOCATION/
MACHINE FOOTPRINT

LOW SIDE - REAR VIEW
WATER AND DRAIN CONNECTIONS

This drawing contains TUBE ICE, LLC confidential and proprietary information and cannot be used, duplicated or disclosed in whole or in part, except with the express written permission of TUBE ICE, LLC.
Except as expressly stated in any written contract, ALL WARRANTIES RELATING TO THIS DRAWING, INCLUDING THE WARRANTIES OF MERCHANTABILITY AND FITNESS, ARE DISCLAIMED.
© 2000 TUBE ICE, LLC all rights reserved as an unpublished work.

DWN. BY MDR
CKD. BY _____
RLSD. BY _____
DATE 04/15/2011
SCALE NONE

Vogt TUBE ICE, LLC
1000 W. ORMSBY AVE., LOUISVILLE, KY. 40210
VT100 PACKAGE WITH "D" CHASSIS
CONDENSING UNIT
FOOTPRINT AND CONNECTIONS
PART NO. _____
DRG. NO. 81901