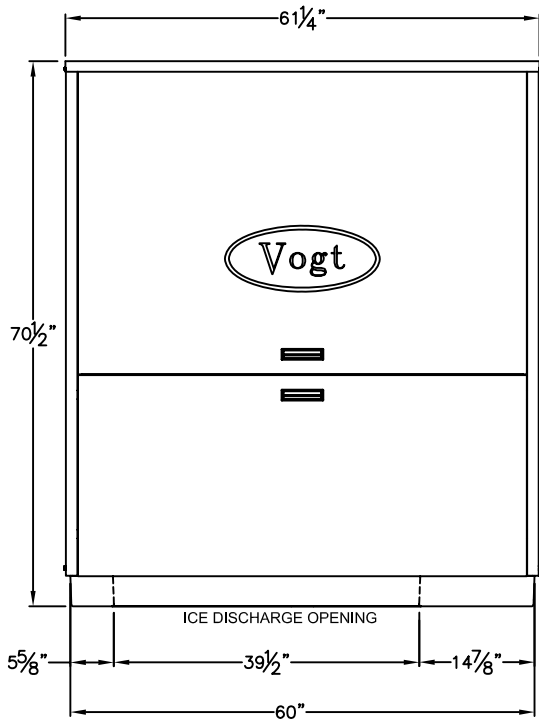
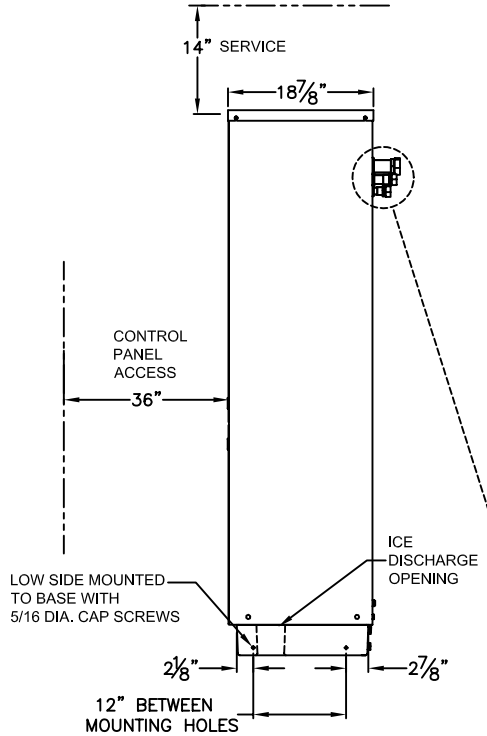


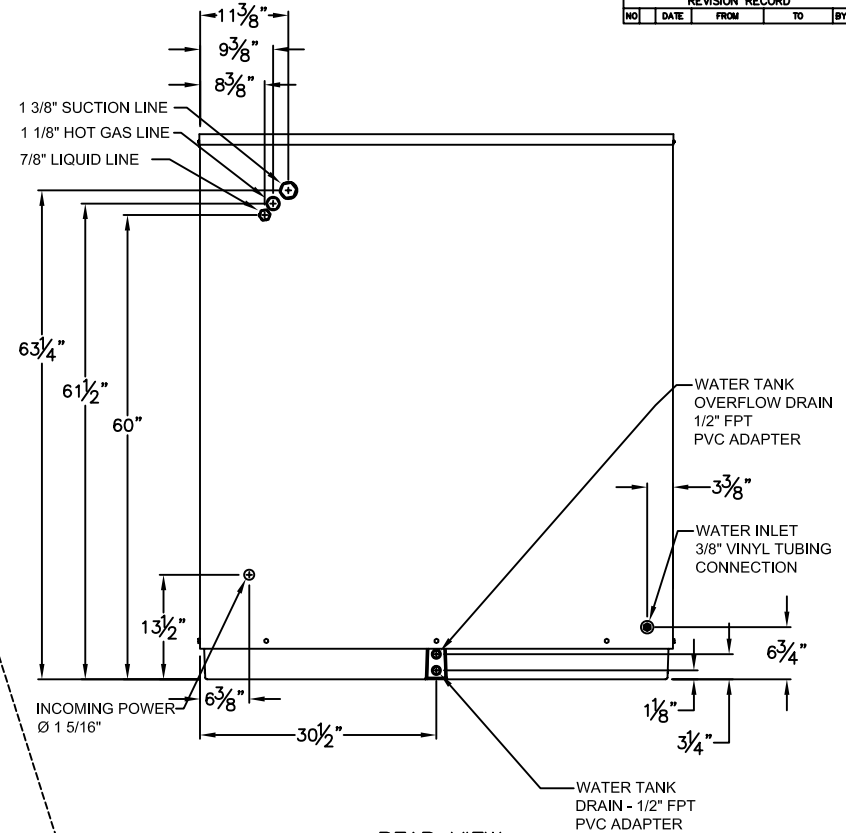
REVISION RECORD				
NO	DATE	FROM	TO	BY/CK



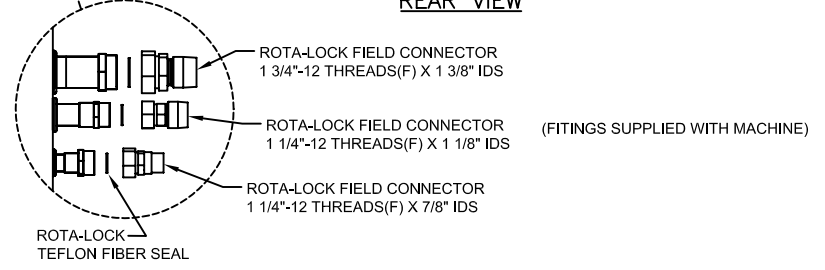
FRONT VIEW



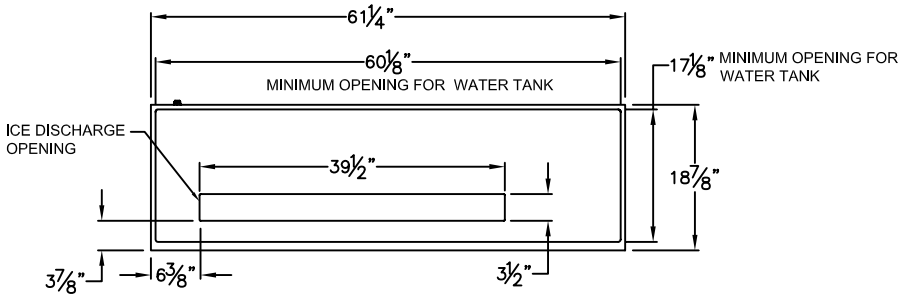
SIDE VIEW



REAR VIEW



FIELD ATTACHMENT TO CONDENSING UNIT



ICE CHUTE LOCATION / MACHINE FOOTPRINT

DWN. BY	J. M. PASHANER	<p>TUBE ICE, LLC</p> <p>1000 W. SPRINGBY AVE., LOUISVILLE, KY, 40210</p>
CKD. BY		
RLSD. BY		VT100 LOW SIDE FOOTPRINT & CONNECTIONS
DATE	4/2/09	CUSTOMER DRAWING
SCALE	NONE	DRG. NO. 81829
		SHEET 1 OF 1