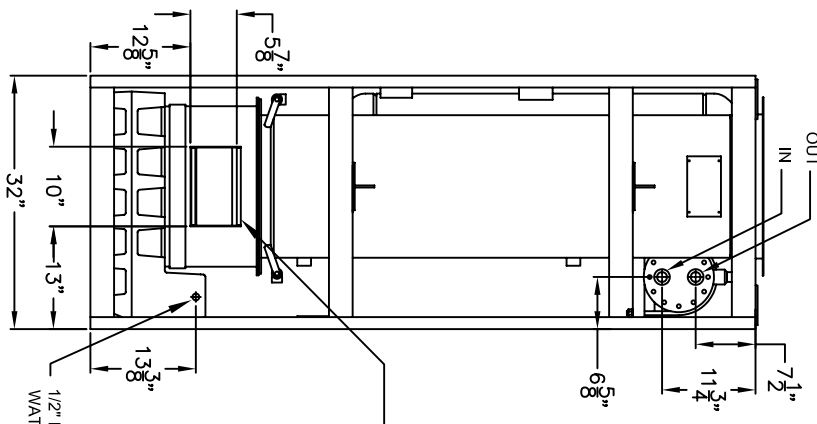
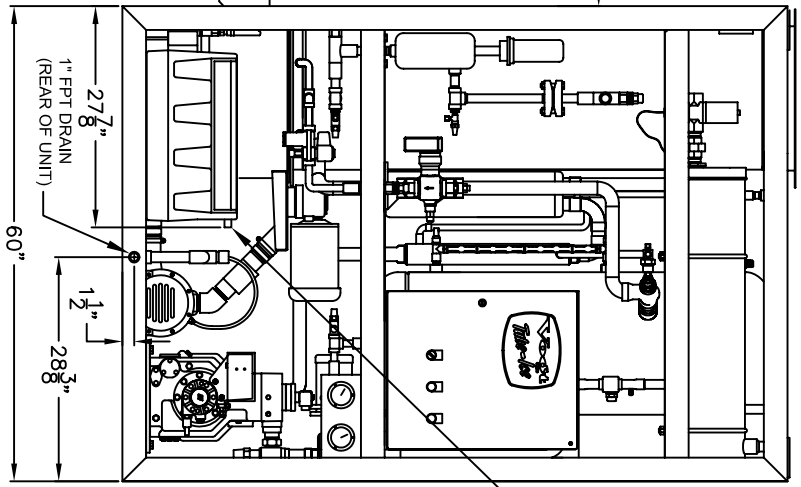


1 1/4" FPT CONDENSER  
WATER CONNECTIONS:

OUT  
IN



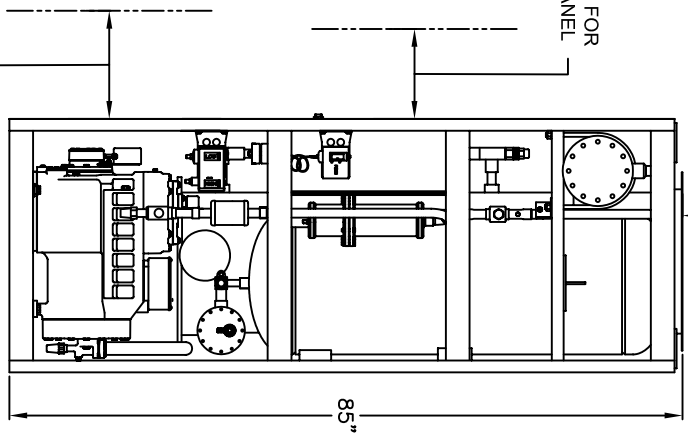
30" MINIMUM FOR  
CONDENSER CLEANING



12" MINIMUM CLEARANCE FOR  
INSTALLATION AND ACCESS

36" MINIMUM FOR  
CONTROL PANEL  
ACCESS

1/2" MP  
MAKE-UP  
WATER IN

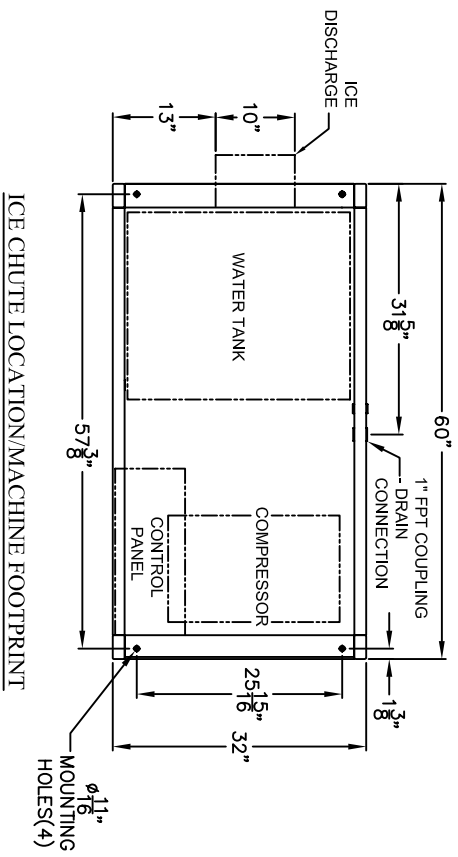


REVISION RECORD					
NO.	DATE	FROM	TO	BY	CK

LEFT

FRONT

RIGHT



ICE CHUTE LOCATION/MACHINE FOOTPRINT

φ 1 1/2  
MOUNTING  
HOLES(4)

This document is the property of Minsk Redford, LLC. It is to be used for the specific project and location only. It is not to be reproduced, stored in a retrieval system, or transmitted in any form or by any means, electronic, mechanical, photocopying, recording, or by any information storage and retrieval system, without the prior written permission of Minsk Redford, LLC. All rights reserved. © 2014 Minsk Redford, LLC. All rights reserved.

DMN. BY **Minsk Redford**  
CKD. BY \_\_\_\_\_  
RSD. BY \_\_\_\_\_  
DATE 6/8/05  
SCALE N/A

**Minsk Redford, LLC**  
1000 N. UNIVERSITY AVE., LOUISVILLE, KY 40210

SPACE DIAGRAM AND CONNECTIONS  
FOR WATER COOLED O51A ICE MACHINE

PART NO. \_\_\_\_\_  
DRG. NO. 81735 SHEET 1 OF 1