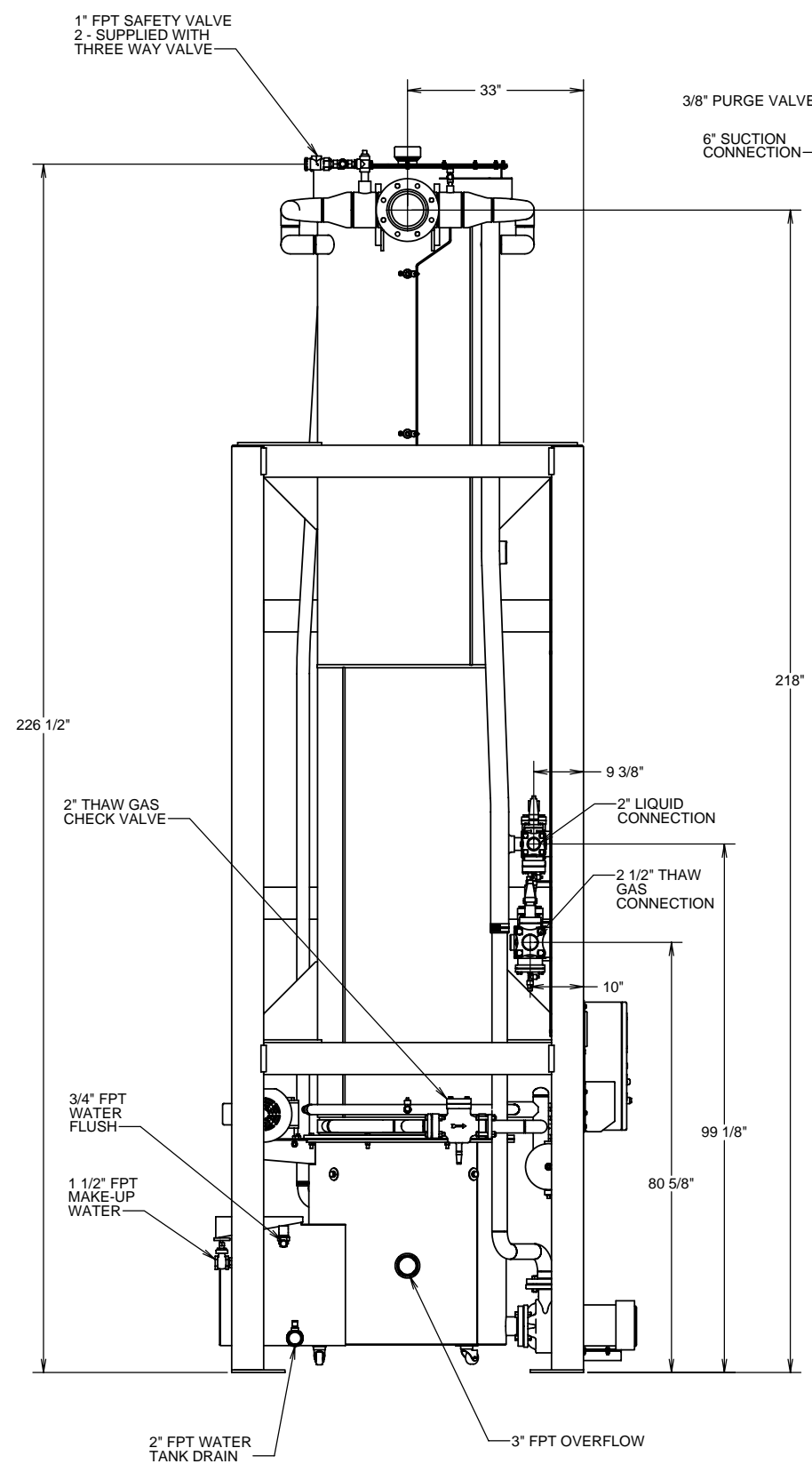
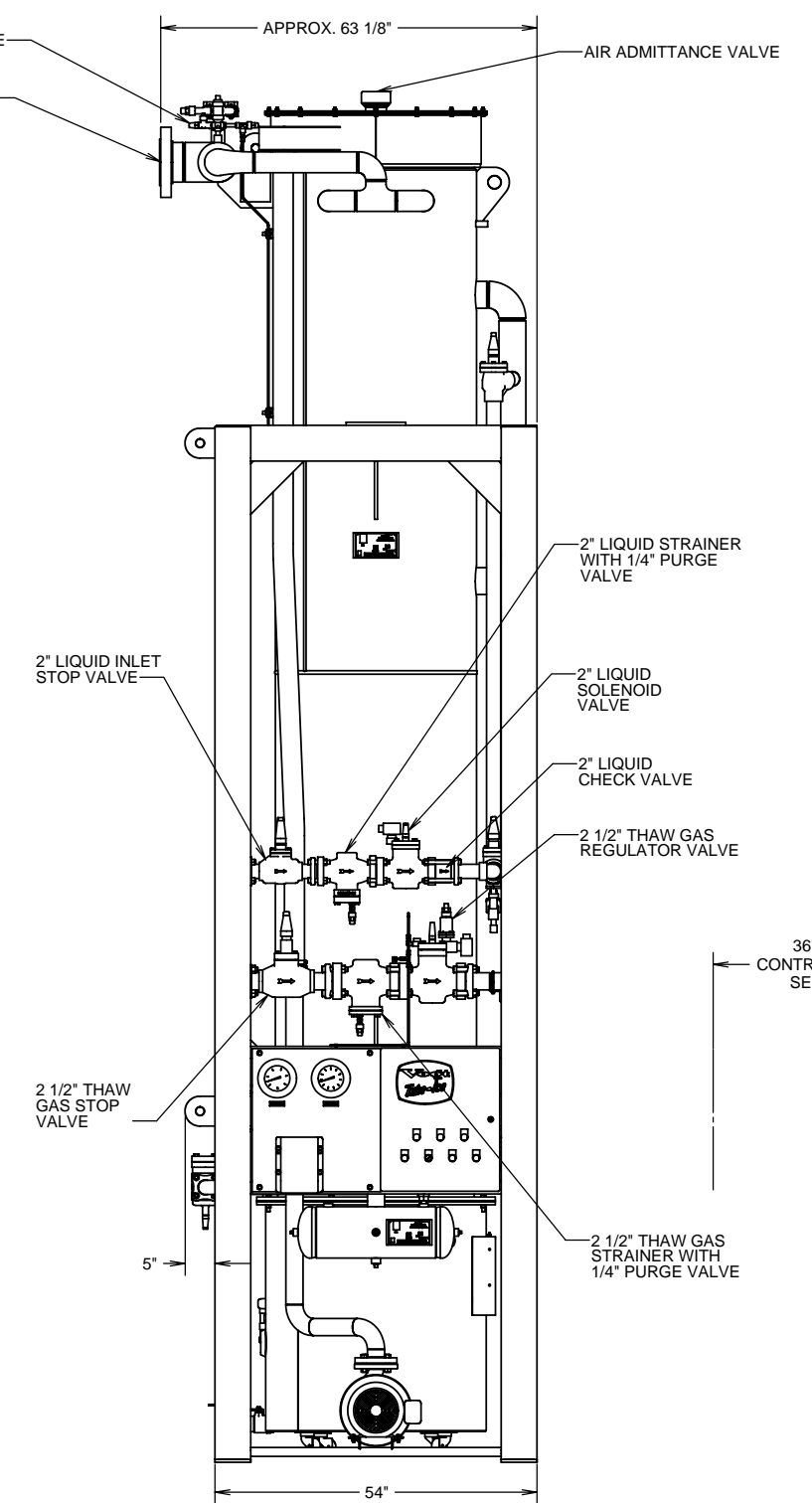


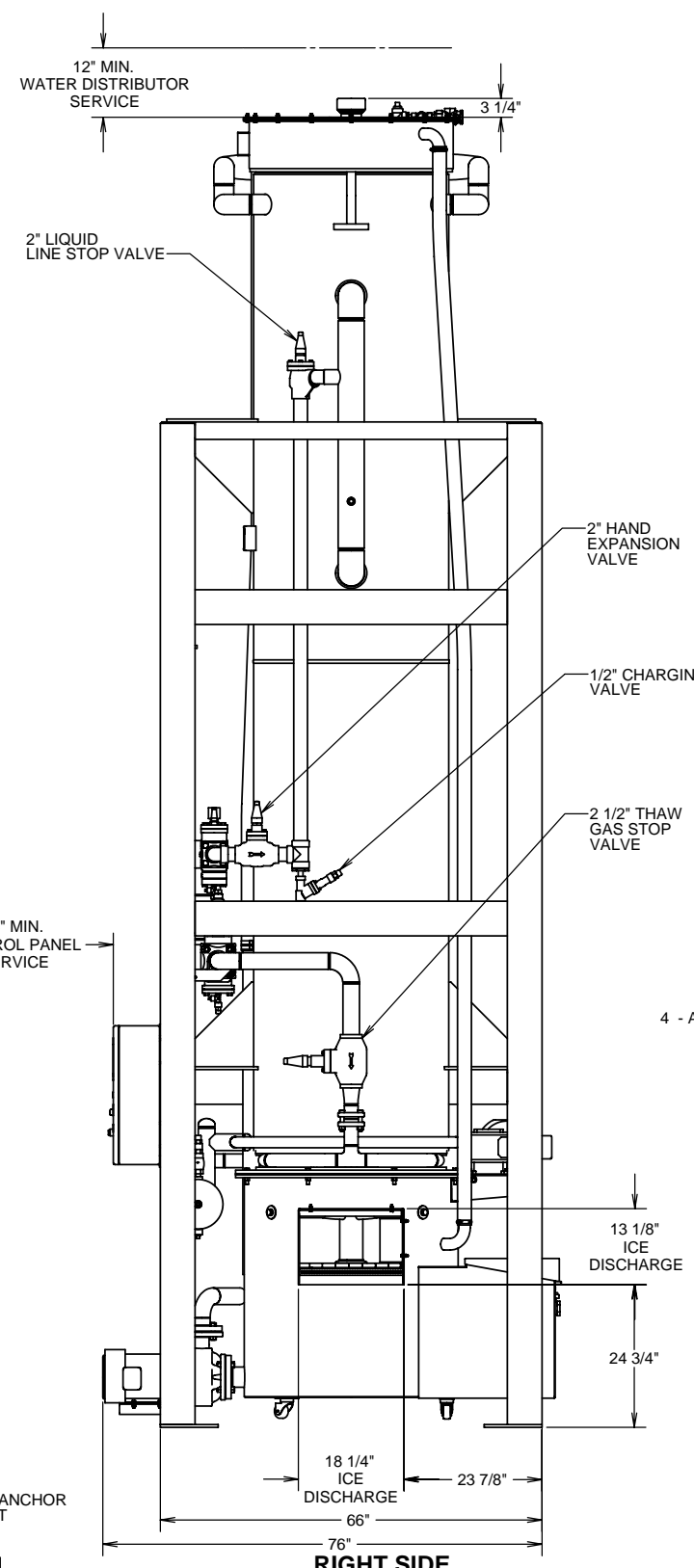
REVISION RECORD				
NO	DATE	FROM	TO	BY



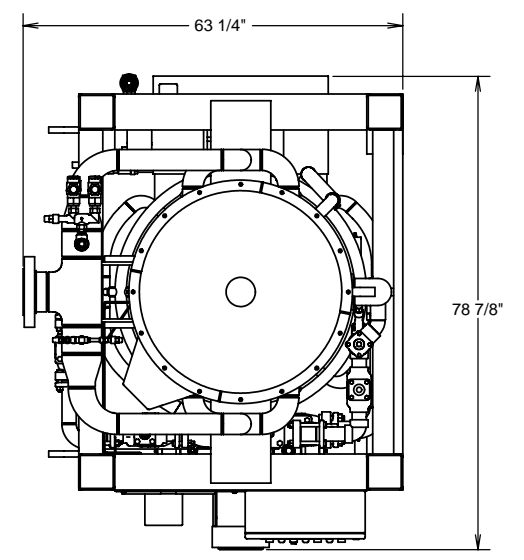
LEFT SIDE



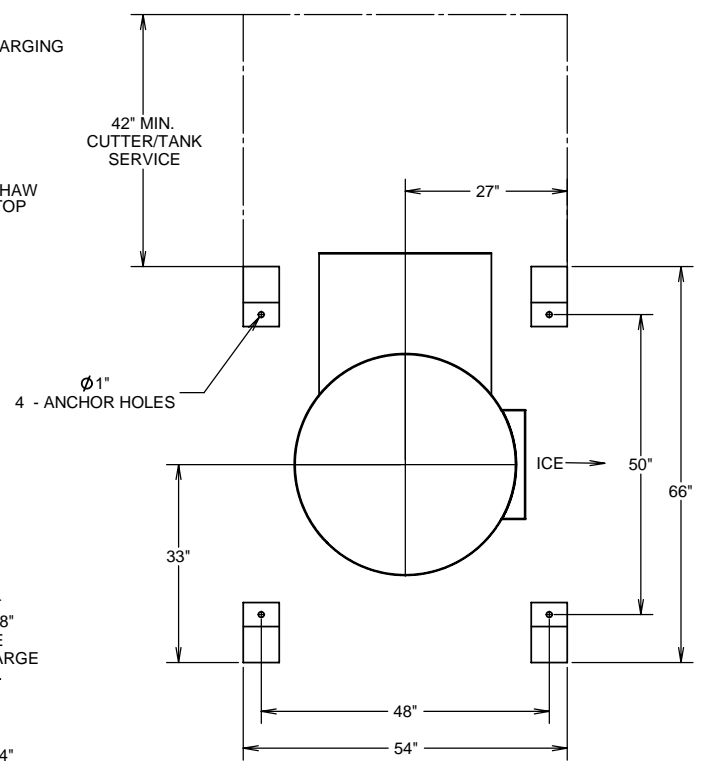
FRONT ELEVATION



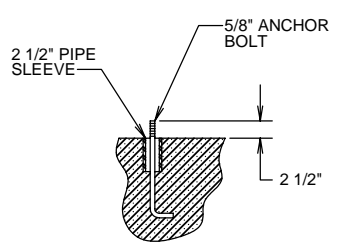
RIGHT SIDE



PLAN



FOUNDATION PLAN



ANCHOR BOLT DETAIL

This drawing contains TUBE ICE, LLC confidential and proprietary information and should be used, duplicated, or disclosed in any way to any person without the express written permission of TUBE ICE, LLC.

FOR USE IN THE UNITED STATES OF AMERICA ONLY. ALL INFORMATION IS SUBJECT TO THE DESIGN, MANUFACTURE, AND FITNESS ARE DISCLAIMED.

© 2010 TUBE ICE, LLC. All rights reserved as an unpatented trade secret.

DWN. BY	LOGSDON	<p>1000 W. CRIMSBY AVE., LOUISVILLE, KY, 40210</p> <p>P34AXLOF TUBE ICE MACHINE LIQUID OVERFEED ALL TUBE SIZES (CARBON STEEL CONSTRUCTION)</p> <p>CUSTOMER DRAWING DRG. NO. 81668</p>
CKD. BY		
RLSD. BY		
DATE	11/29/04	
SCALE	NONE	SHEET 1 OF 1