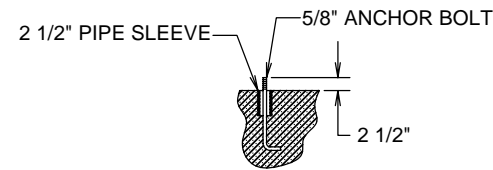
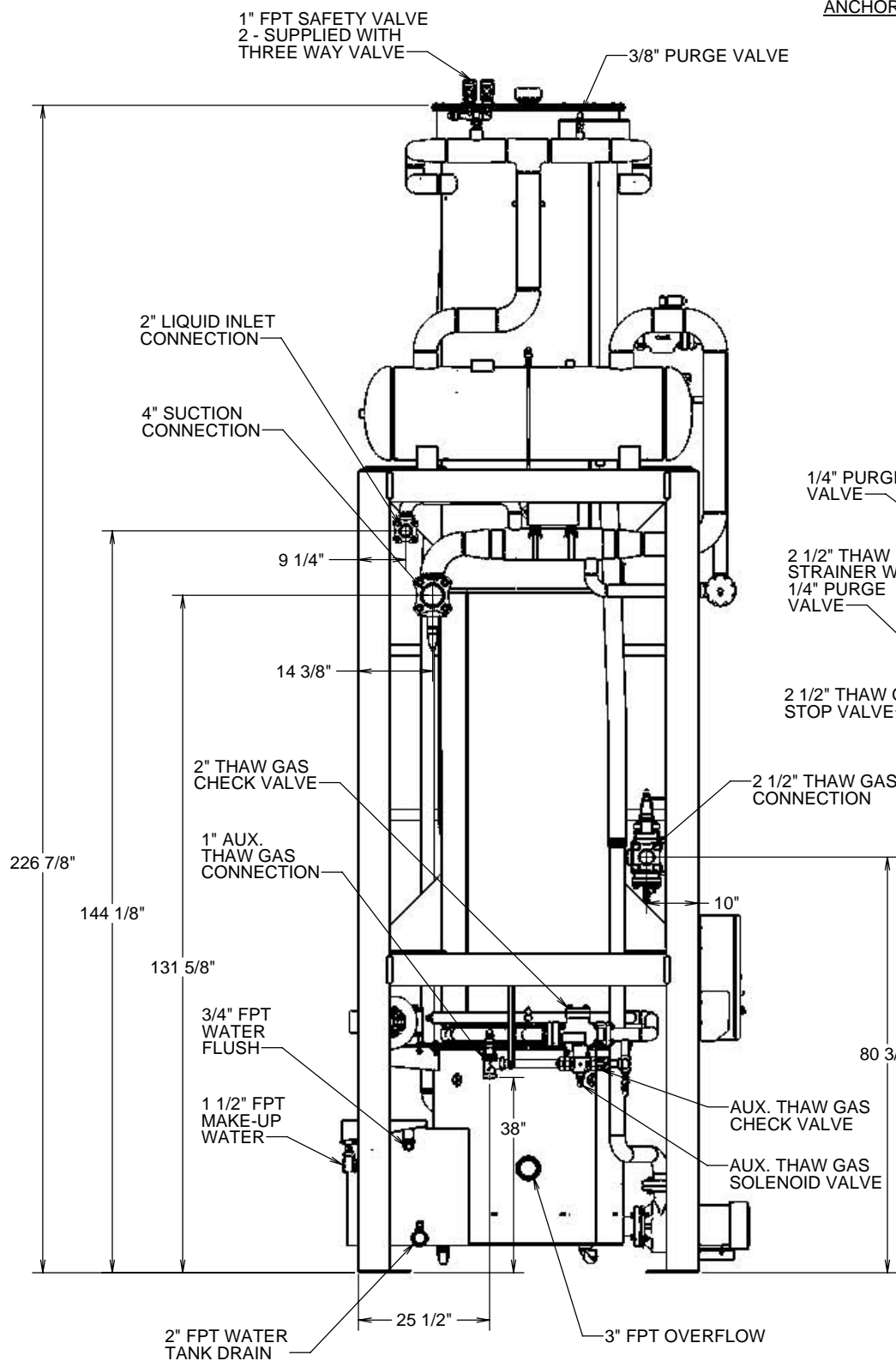


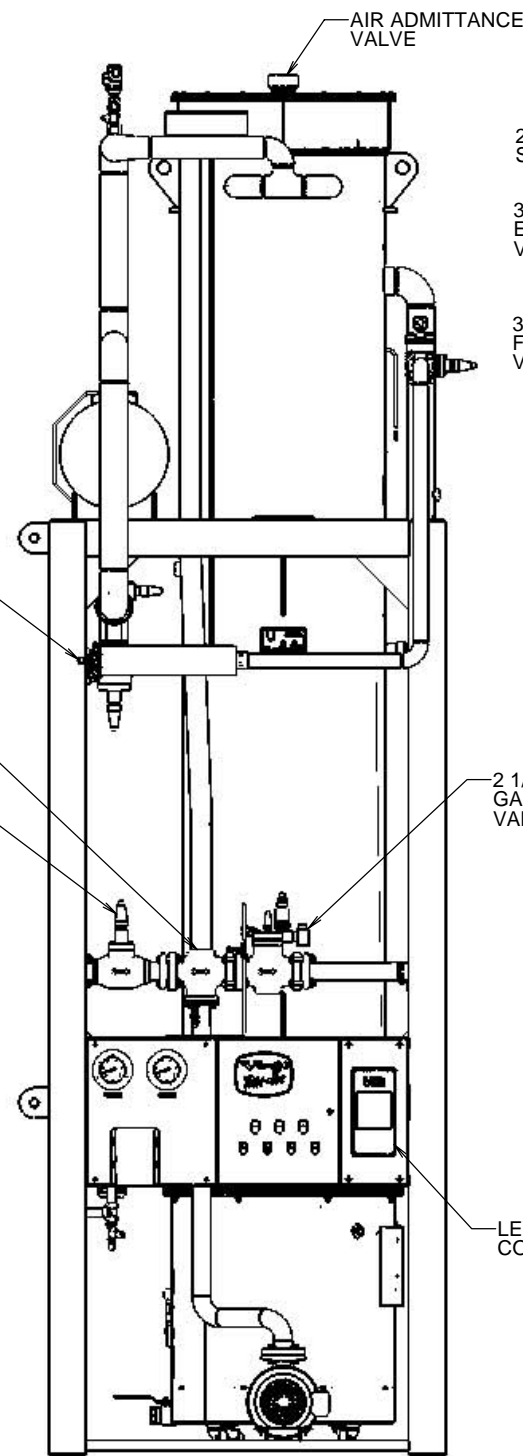
REVISION RECORD				
NO	DATE	FROM	TO	BY



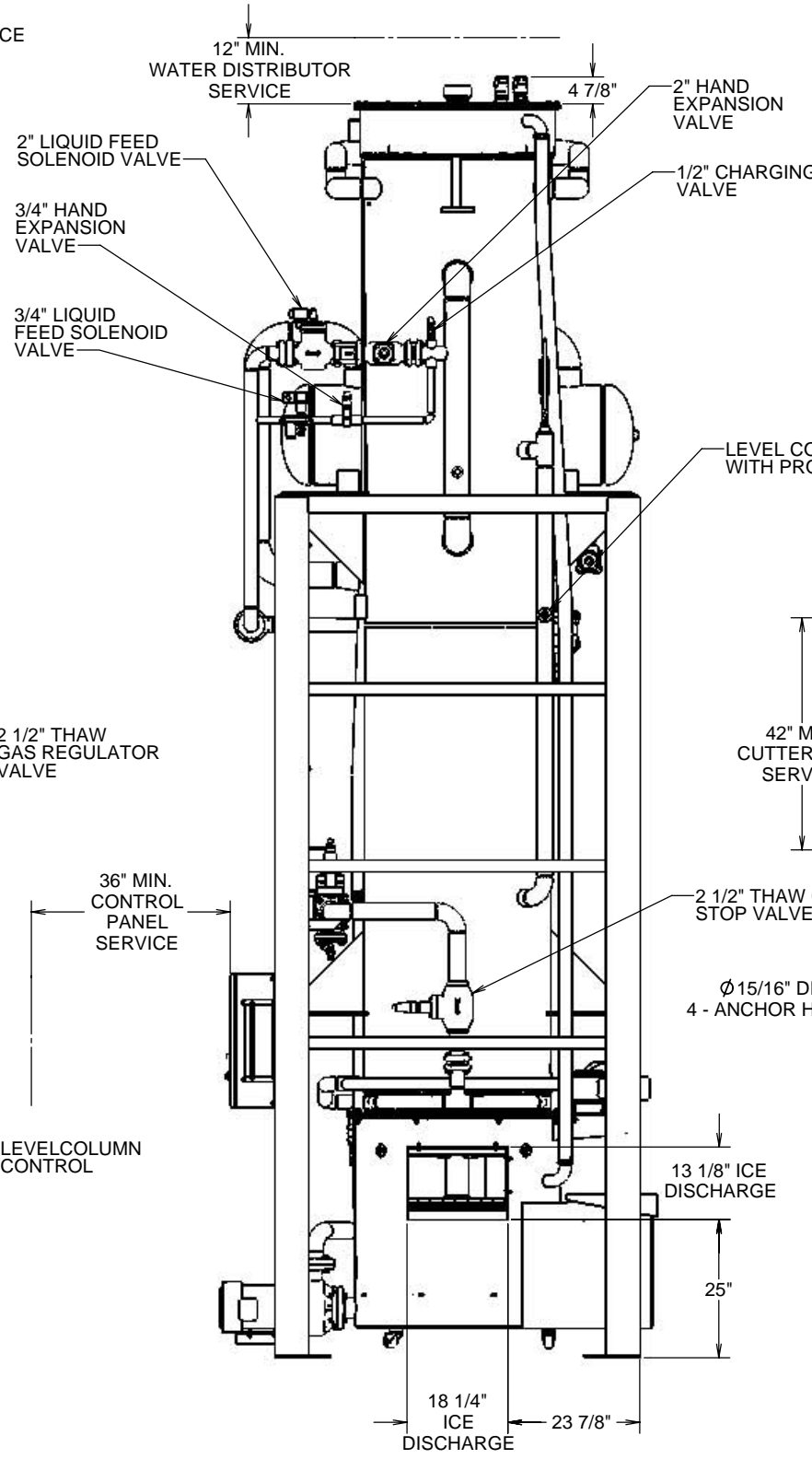
ANCHOR BOLT DETAIL



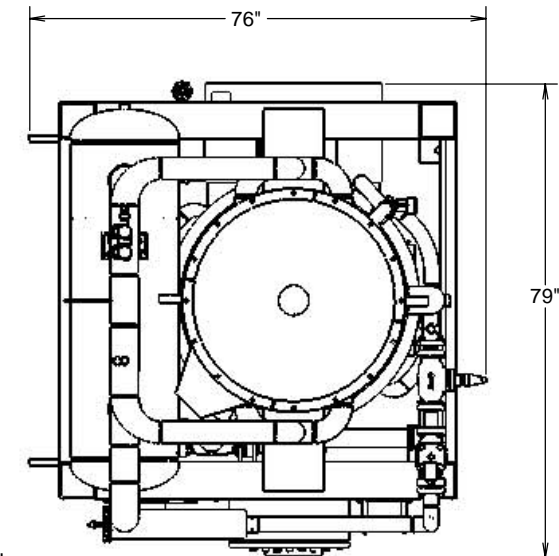
LEFT SIDE



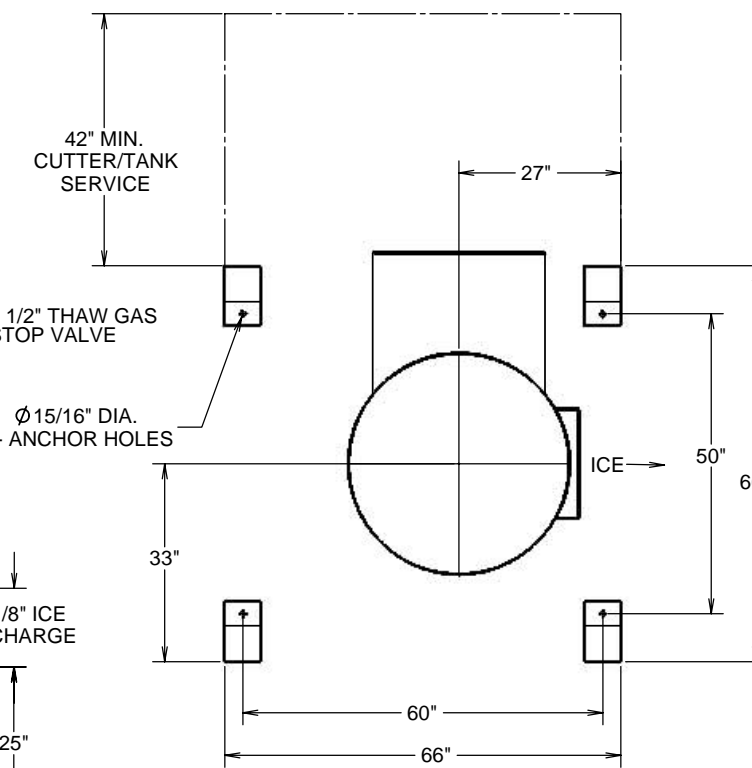
FRONT ELEVATION



RIGHT SIDE



PLAN



FOUNDATION PLAN
SCALE 1 : 16

This drawing contains TUBE ICE, LLC confidential and proprietary information and should be used, distributed, or disclosed in any form or by any means without the express written permission of TUBE ICE, LLC.
TUBE ICE, LLC reserves the right to modify this drawing without notice.
© 2010 TUBE ICE, LLC. All rights reserved as an invention and trade secret.

DWN. BY	LOGSDON	<p>TUBE ICE, LLC 1000 W. CRIMBY AVE., LOUISVILLE, KY, 40210</p> <p>P34FXL TUBE-ICE MACHINE ALL TUBE SIZES (CARBON STEEL CONSTRUCTION)</p> <p>CUSTOMER DRAWING DRG. NO. 81665</p>
CKD. BY		
RLSD. BY		
DATE	12/14/04	
SCALE	NONE	
		SHEET 1 OF 1