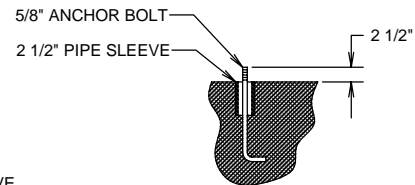
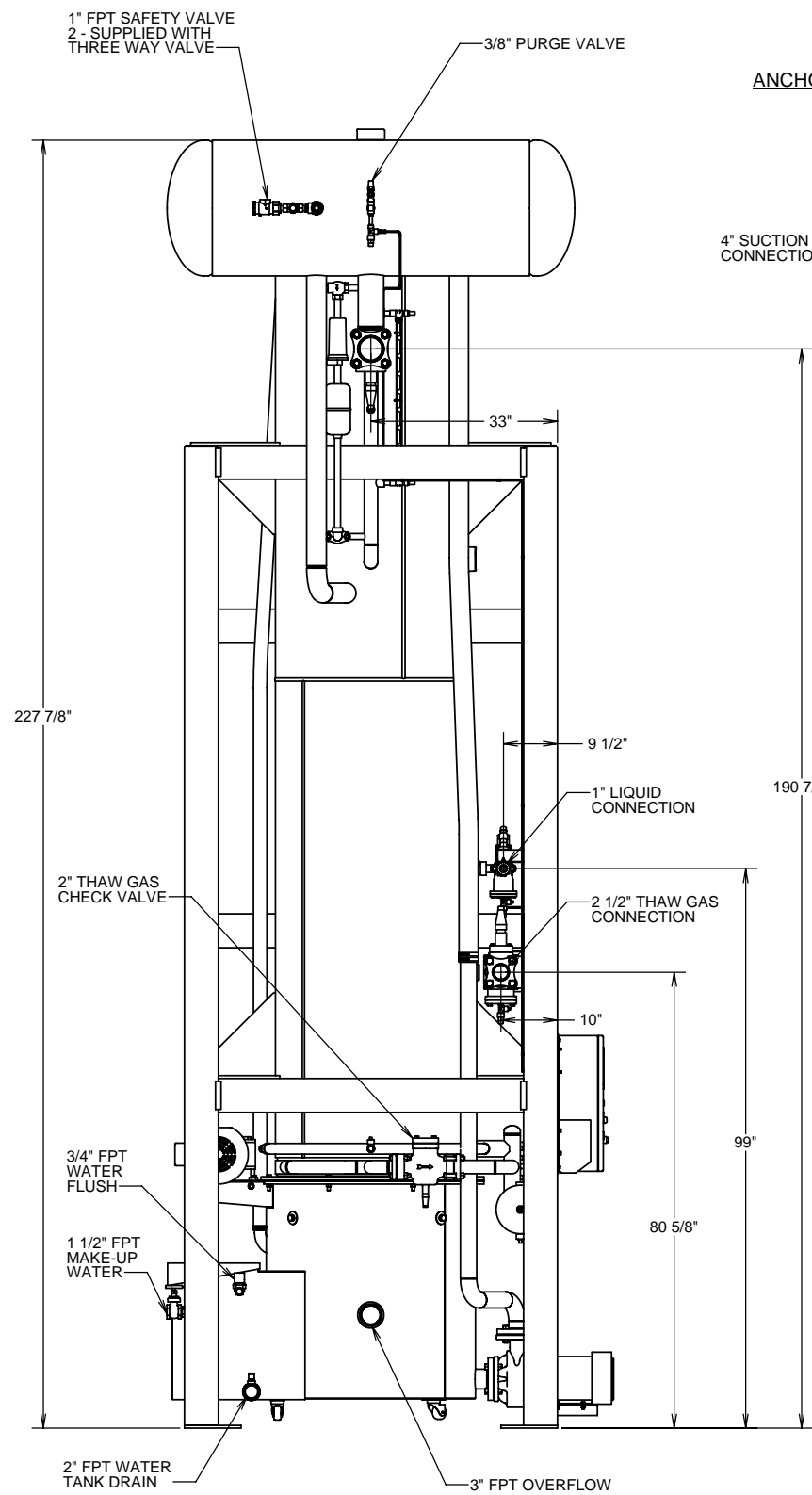


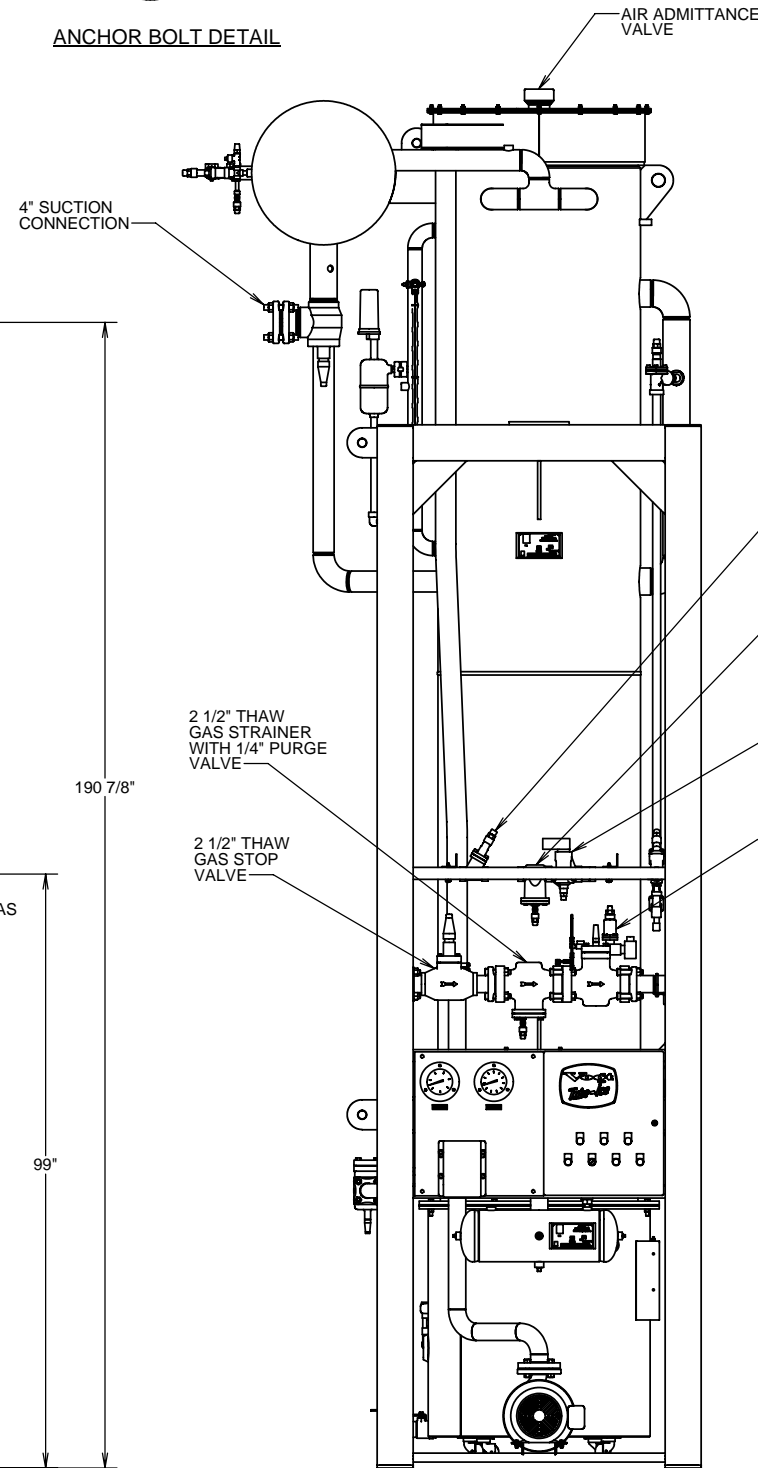
REVISION RECORD				
NO	DATE	FROM	TO	BY



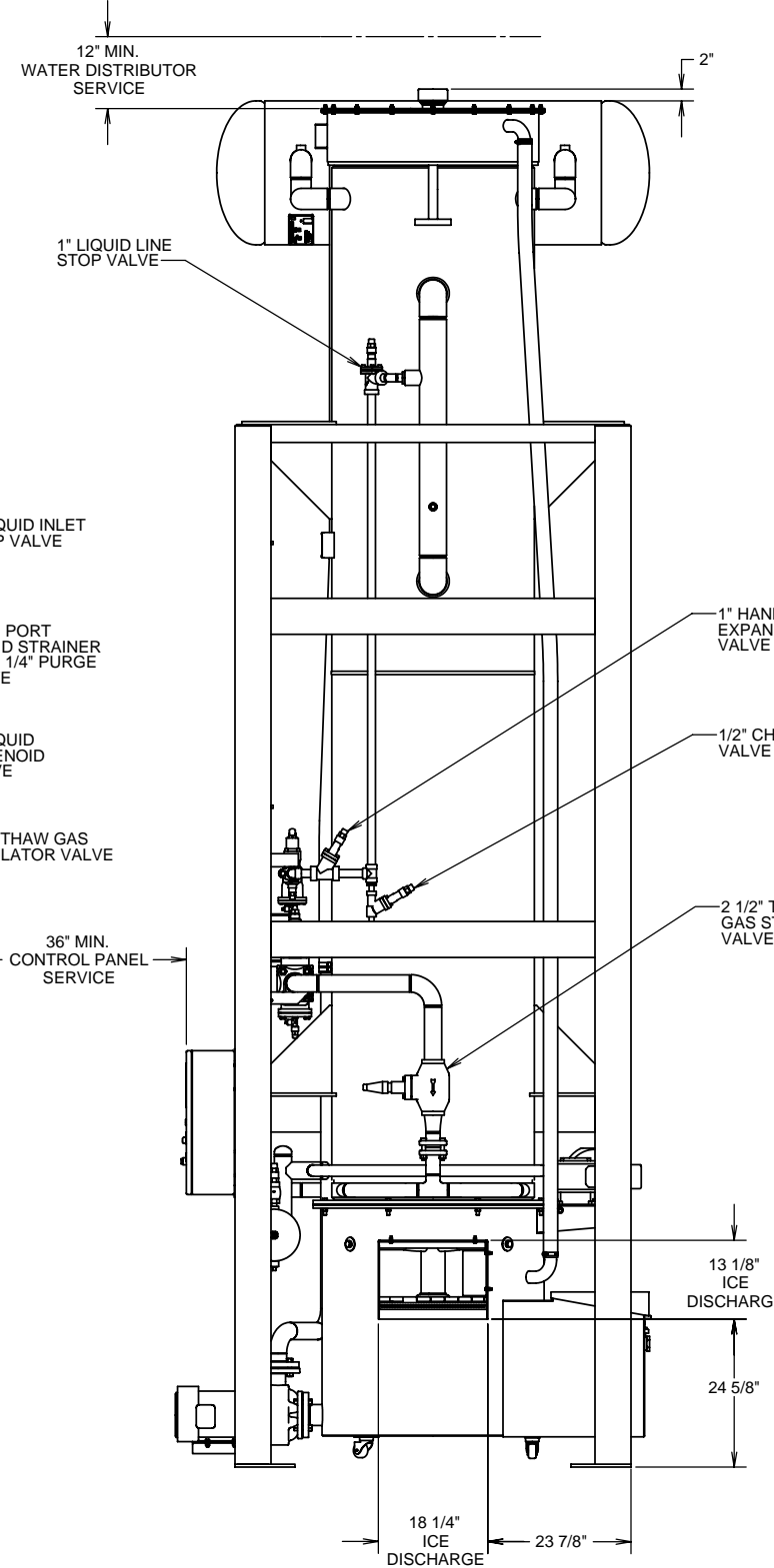
ANCHOR BOLT DETAIL



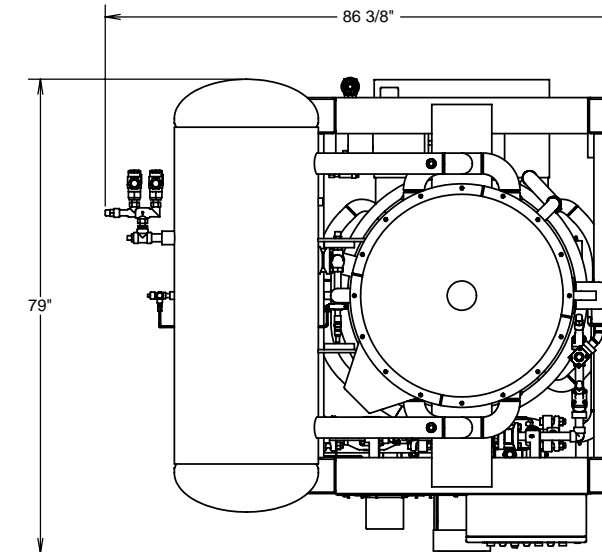
LEFT SIDE



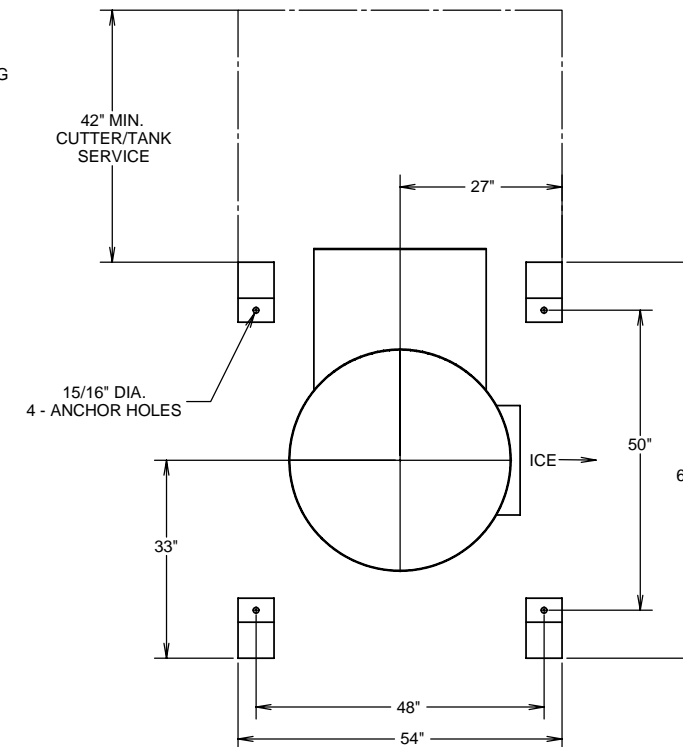
FRONT ELEVATION



RIGHT SIDE



PLAN



FOUNDATION PLAN

This drawing contains TUBE ICE, LLC confidential and proprietary information and is intended for use only by the customer. It is not to be distributed, copied, or reproduced in any form without the express written permission of TUBE ICE, LLC.

DWN. BY	LOGSDON	<p>TUBE ICE, LLC 1000 W. CRIMSBY AVE., LOUISVILLE, KY, 40210</p> <p>P34AXL TUBE ICE MACHINE ALL TUBE SIZES (CARBON STEEL CONSTRUCTION)</p> <p>CUSTOMER DRAWING DRG. NO. 81663</p>
CKD. BY		
RLSD. BY		
DATE	11/24/04	
SCALE	NONE	