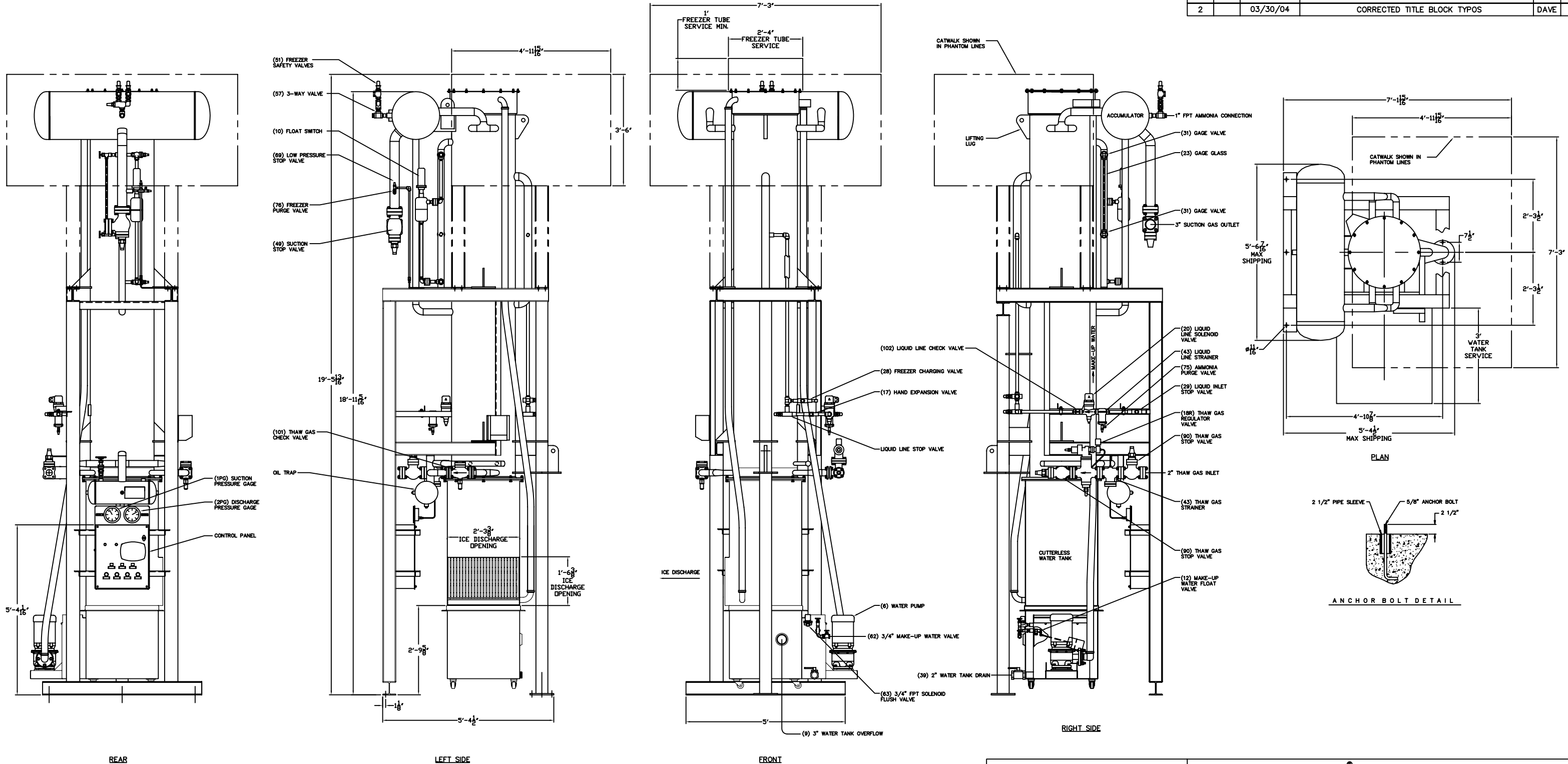


NO	DATE	FROM	TO	BY	CK
1	03/11/04		RELOCATED CONTROL PANEL REVISED CATWALK DIMENSIONS	DAVE	
2	03/30/04		CORRECTED TITLE BLOCK TYPOS	DAVE	



This drawing contains TUBE ICE, LLC confidential and proprietary information and cannot be used, duplicated or disclosed in whole or in part, except with the express written permission of TUBE ICE, LLC.

Except as expressly stated in any written contract, ALL WARRANTIES RELATING TO THIS DRAWING, INCLUDING THE WARRANTIES OF MERCHANTABILITY AND FITNESS, ARE DISCLAIMED.

© 2003 TUBE ICE, LLC all rights reserved as an unpublished work.

DWN. BY LOGSDON

CKD. BY _____

RLSD. BY _____

DATE 01/20/04

SCALE NONE

Vogt TUBE ICE, LLC
 1000 W. ORMSBY AVE., LOUISVILLE, KY. 40210

P24AL TUBE ICE MACHINE
 WITH CUTTERLESS TANK AND CATWALK
 ALL TUBE SIZES

CUSTOMER DRAWING
 DRG. NO. 81597

SHEET 1 OF 1