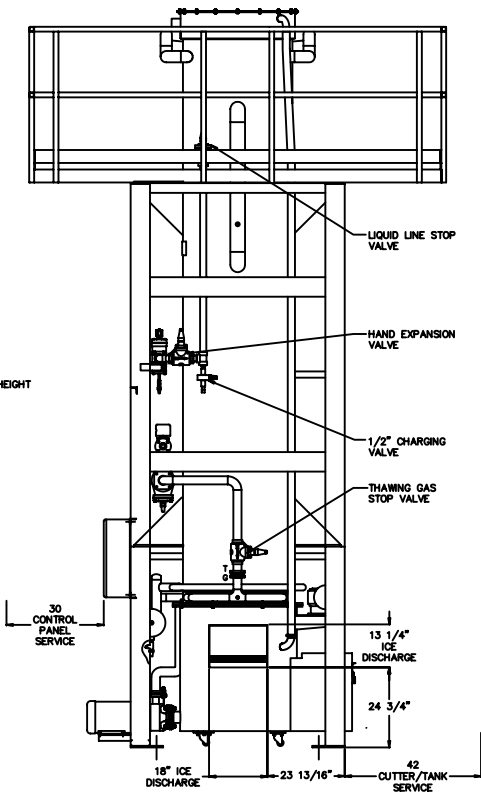
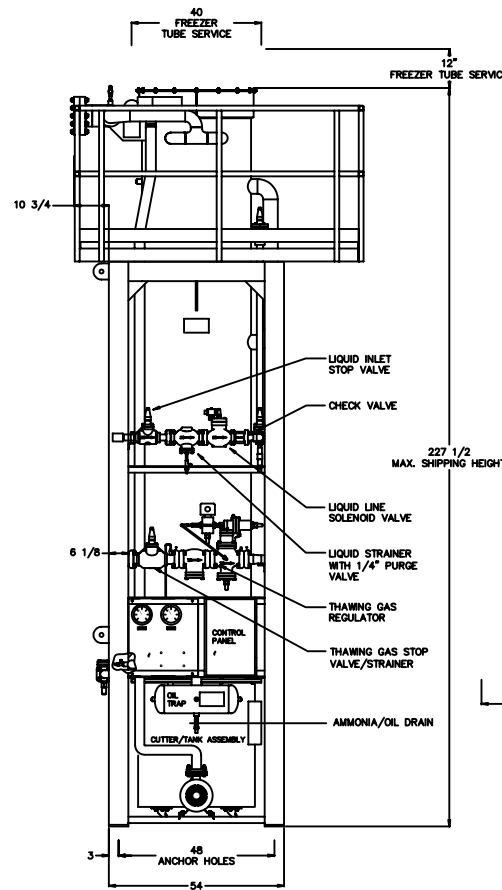
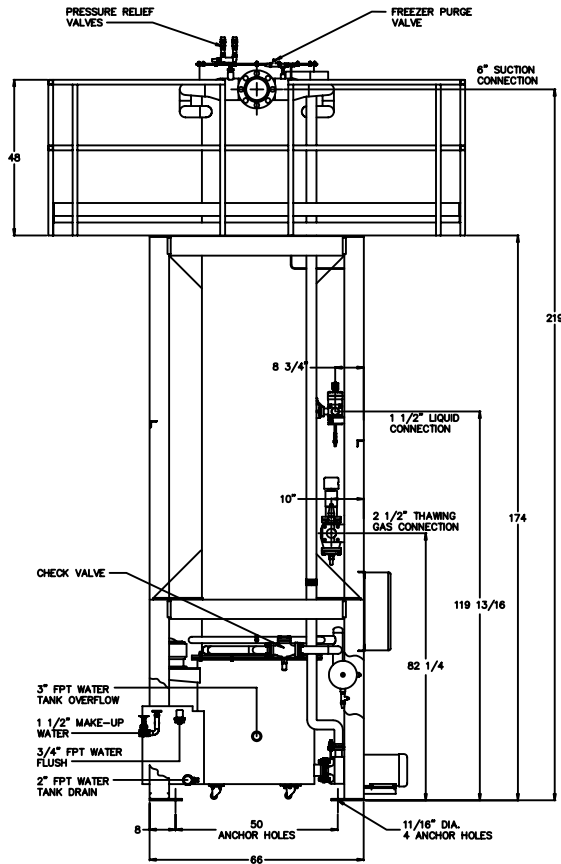
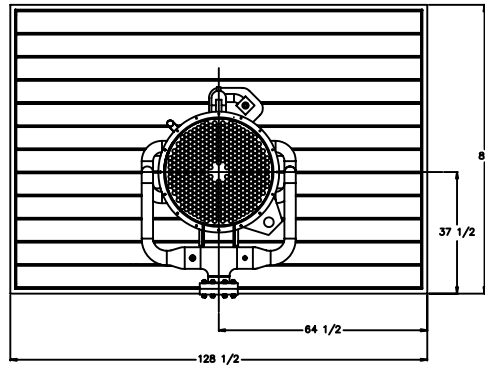


REVISION RECORD				
NO	DATE	FROM	TO	BY



DWN. BY PECKENPAUGH  
 CKD. BY \_\_\_\_\_  
 RLSD. BY \_\_\_\_\_  
 DATE 29 JAN 2003  
 SCALE NONW

**voigt TUBE ICE, LLC**  
 1000 W. ORMSBY AVE., LOUISVILLE, KY. 40210  
**P34AXLOF TUBE ICE MACHINE**  
 LIQUID OVERFEED  
 WITH SERVICE PLATFORM  
 PART NO. CUSTOMER DRAWING  
 DRG. NO. 81542

This drawing contains TUBE ICE, LLC confidential and proprietary information and cannot be used, reproduced or disclosed in whole or in part, except with the express written permission of TUBE ICE, LLC.  
 Except as expressly stated in any written contract, ALL WARRANTIES RELATING TO THIS DRAWING, INCLUDING THE WARRANTIES OF MERCHANTABILITY AND FITNESS, ARE DISCLAIMED.  
 © 2000 TUBE ICE, LLC all rights reserved or an unpublished work.