



The HES Series with a capacity range of 3000 to 4000 pounds of ice per day is the preferred choice of ice machine for thousands of food service applications worldwide.

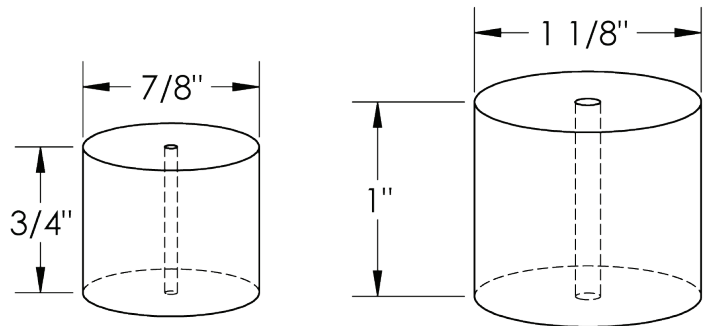
Heavy-duty industrial construction, automatic operation, energy efficiency and the best warranty in the business make the Vogt HES Series the only "clear" choice for your ice making needs.

HES Standard Features:

- ★ 25 Year Evaporator Warranty
- ★ Voltage - 208/230v., 3p., 60hz.
- ★ Refrigerant 452a
- ★ Cutter for cylinder (default) or crushed ice operation
- ★ Allen-Bradley PLC with thermocouples, pressure transducers and multiple built-in safeties
- ★ 7" wide HMI display with remote access capability*
- ★ Copeland Performance Alert power monitor
- ★ Electronic ice bin thermostat
- ★ Stainless steel casings
- ★ Integral drip pan

*Requires connection to Internet (ethernet connection)

HES Tube-Ice Available in Two Ice Sizes:



Energy usage based on makeup water temperature of 70 °F. (21 °C.), ambient (air) temperature of 90 °F. (32 °C.).

Capacity rating is average for the model.

Individual machines may vary +/- 5%.

Capacity based on ambient (air) temperature of 90 °F. (32 °C.).

Capacity reduced 17% for 50hz. operation.

Makeup water usage includes 20% blowdown.

HES Series Options:

- ★ Voltage - 460v., 3p., 60hz.
- ★ Voltage - 400v., 3p., 50hz.
- ★ Voltage - 200/230v., 3p., 50hz.
- ★ High ambient air-cooled condenser
- ★ Electro-fin coated condenser
- ★ High pressure (200psig) water condenser/regulator
- ★ Casing security screws (Correctional usage)
- ★ Cutter for 1-1/2" long ice
- ★ Flush valve assembly
- ★ Canadian Registration Number (CRN)
- ★ Export crating (ISPM-15 Rated)

Model	Machine Capacity						Water Usage				Energy Usage	
	Make-Up Temperature						Ice Making		Condenser		(KWH/100 lbs)	
	50°F (10°C)		70°F (21°C)		90°F (32°C)		Gal/100lbs	Liters/100lbs	Gal/100lbs	Liters/100lbs	Water Cooled	Air Cooled
HES-30S	3069	1392	2744	1245	2299	1043	14.5	54.9	220	833	3.32	4.11
HES-30M	2687	1219	2403	1090	2014	914			341	1291	3.63	4.82
HES-40S	4066	1844	3616	1640	3230	1465			171	647	3.38	4.24
HES-40M	3566	1618	3171	1438	2833	1285			402	1522	3.80	4.85

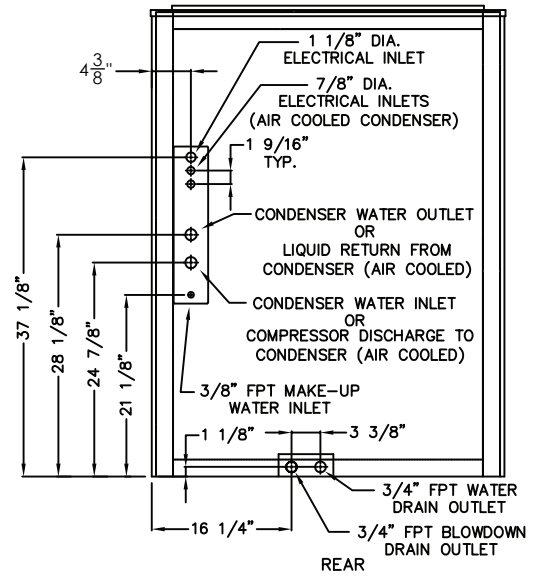
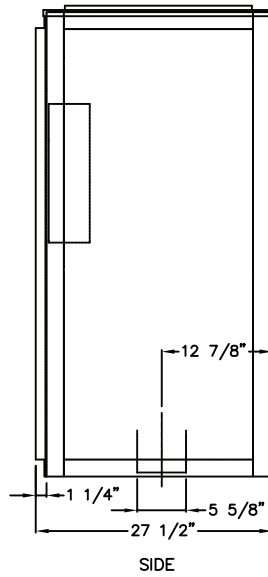
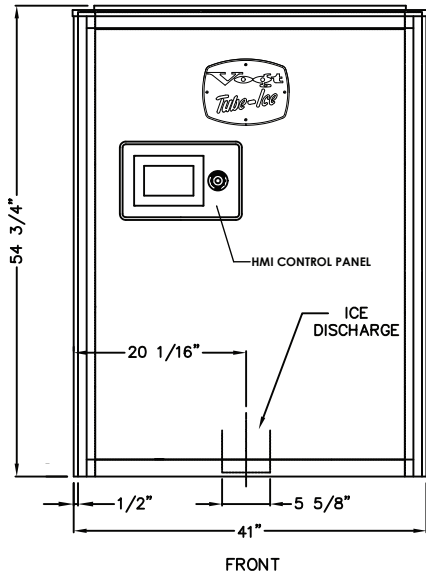
Vogt Ice LLC

1000 W. Ormsby Avenue
 Louisville, KY 40210
 (800) 853-8648, (502) 635-3000
 info@vogtice.com



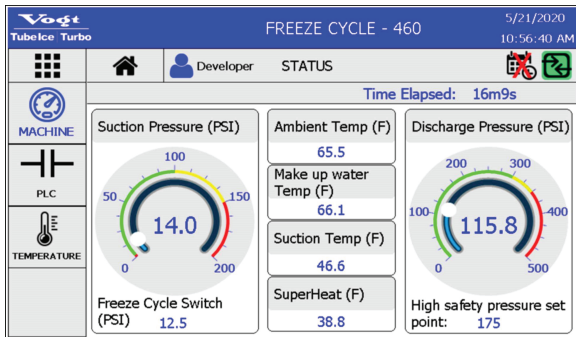
www.vogtice.com





NOTE: MACHINE FOOTPRINT WITHOUT CASINGS: 40" X 26" X 54"

Vogt HMI Display



New Control Features and Benefits

- Allen-Bradley PLC and sensors replace FPS, High/Low safety switches, thaw timer, DPS, etc.
- Secure remote connectivity* with 5 user levels for extra security.
- Instant email notifications* of machine faults sent to key users limiting down time.
- HMI displays tips for machine faults for quick and easy troubleshooting.
- Detailed history and trends enable early detection of

Model	Voltage	Ice Machine Electrical Information						Motor Information				Shipping Weight	
		Water Cooled			Air Cooled			Water Pump	Cutter Motor	Condenser Fan Motor(s)	Compressor		
		F.L.A.	Min. Ampacity	Max. Fuse Size (Amps)	F.L.A.	Min. Ampacity	Max. Fuse Size (Amps)	H.P.				Lbs	Kg
HES-30	208/230V, 3ph, 60hz	20.6	24.1	35	24.5	28.0	40	1/3	1/2	2@1/2	4	1250	567
	460V, 3ph, 60hz	9.9	11.6	15	11.3	16.2	20						
	200/230V, 3ph, 50hz	20.6	24.1	35	24.5	28.0	40						
	400V, 3ph, 50hz	10.0	11.6	15	11.3	12.9	15						
HES-40	208/230V, 3ph, 60hz	26.7	11.8	50	34.5	39.6	55			2@1/2	6	1275	578
	460V, 3ph, 60hz	12.4	14.6	20	15.0	17.2	25						
	200/230V, 3ph, 50hz	26.7	31.8	50	34.5	39.6	50						
	400V, 3ph, 50hz	12.4	14.6	20	15.0	17.2	25						

Line Size Connections		
Ice Making Water		3/8" FPT
Drain Connections	Overflow	3/4" FPT
	Drip Pan	3/4" FPT
* Condenser Water Inlet and Outlet	HES-30	3/4" FPT
	HES-40	1" FPT
** See service manual or air-cooled installation instruction packet for sizing discharge and return piping.		

NOTE: * WATER COOLED MACHINE / ** AIR COOLED MACHINE

Operating Conditions

The ice machine shall not be subjected to an atmospheric temperature lower than 50 ° F. (10 ° C.) nor higher than 90 ° F. (32 ° C.) without effect on performance. Water for condensing or ice making purposes shall be non-corrosive.

The water shall be at a constant pressure no less than 30lbs. at the ice machine location. The condition of the water to make satisfactory ice shall be the responsibility of the purchaser.