

P34A SERIES TUBE-ICE MACHINE

Self Contained P34A (Ammonia)



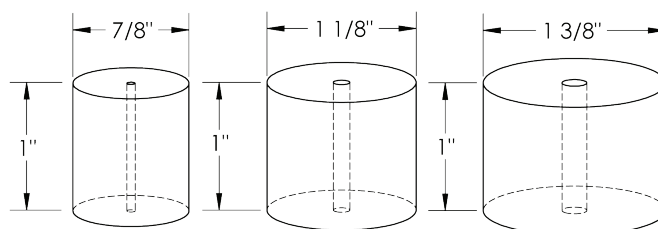
The P34A Series with a capacity of 50 tons of ice per day provides an alternative for producing large quantities of ice without the need of a central refrigeration plant. Available as a self contained water cooled machine for operation with ammonia refrigerant, the P34A will provide you with many years of dependable service.

Heavy-duty industrial construction, automatic operation, energy efficiency and the best warranty in the business make the Vogt P34A Series the only "clear" choice for your ice making needs.

P34A Standard Features:

- ★ Self Contained Packaged Unit
 - ★ Factory Tested and Certified
 - ★ 25 Year Evaporator Warranty
 - ★ Voltage - 460v.,3p.,60hz
 - ★ Allen-Bradley PLC with thermocouples, pressure transducers and multiple built-in safeties
 - ★ 10.1" wide HMI display with remote access capability*
 - ★ Control Voltage - 230v.,1p.,60hz (transformer included)
 - ★ UL 508A Industrial Control Panel
 - ★ Compressor Soft Start
 - ★ Ammonia Refrigerant
 - ★ Mycom Compressor Standard
 - ★ Water-Cooled Condenser
- *Requires connection to Internet (ethernet connection)*

P34A Tube-Ice Available in Three Ice Sizes:



Not to Scale

P34A Options:

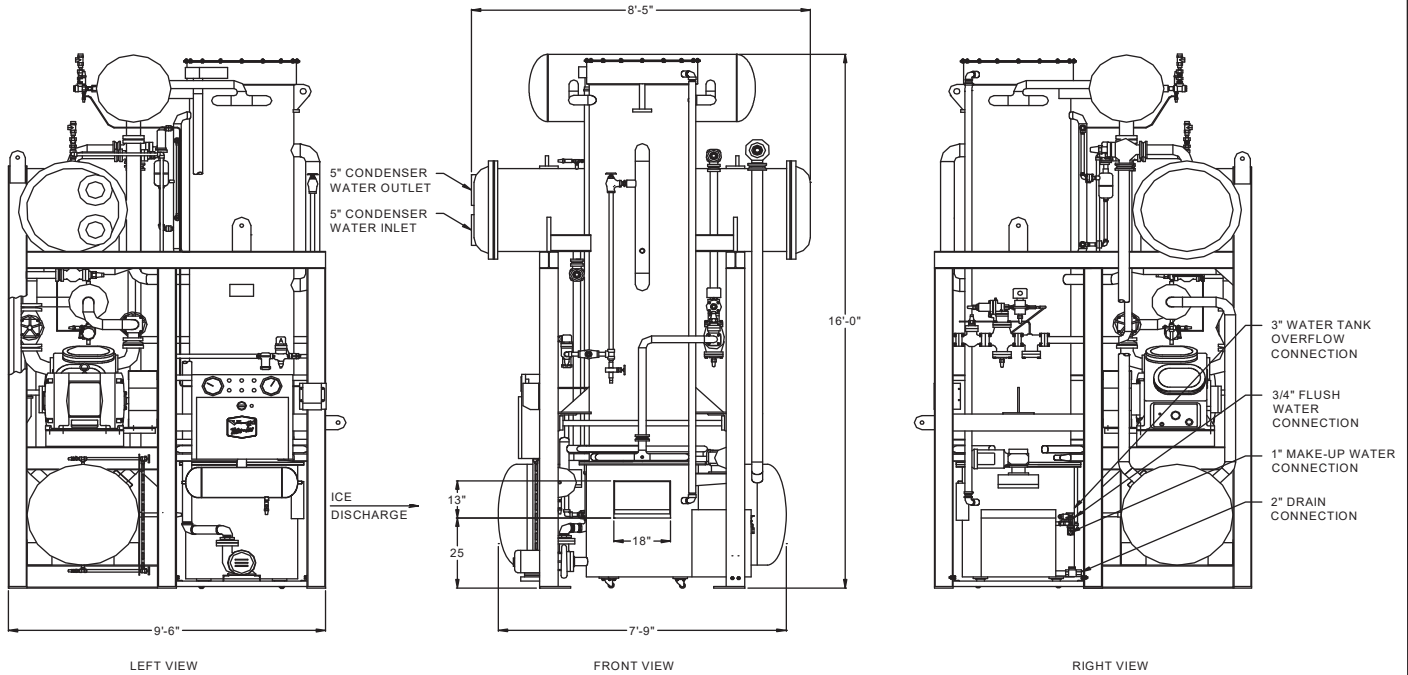
- ★ Voltage - 230v.,3p.,60hz.
- ★ Voltage - 400v.,3p.,50hz.
- ★ Voltage - 200v.,3p.,50hz.
- ★ Voltage - 575v.,3p.,60hz.
- ★ Power monitor
- ★ Cutter for 1-1/2" long ice
- ★ Cutter for crushed ice
- ★ Vilter compressor
- ★ Stainless steel condenser tubes
- ★ "CE" Approval (400v, 50hz only)
- ★ Canadian Registration Number (CRN)
- ★ Australian Wiring Code

Operating Conditions

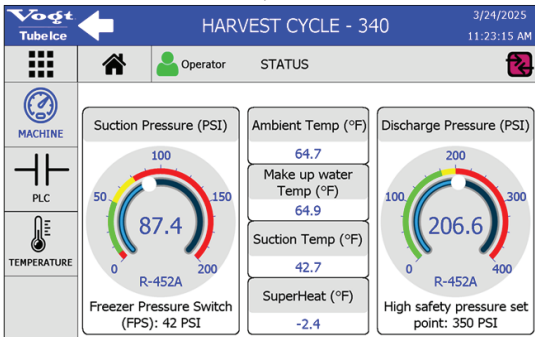
The ice machine shall not be subjected to an atmospheric temperature lower than 50 ° F. (10 ° C.) nor higher than 90 ° F. (32 ° C.) without effect on performance. Water for condensing or ice making purposes shall be non-corrosive.

The water shall be at a constant pressure no less than 30lbs. at the ice machine location. The condition of the water to make satisfactory ice shall be the responsibility of the purchaser.





Vogt HMI Display



New Control Features and Benefits

- Allen-Bradley PLC and sensors replace FPS, High/Low safety switches, thaw timer, DPS, etc.
- Secure remote connectivity* with 5 user levels for extra security.
- Instant email notifications* of machine faults sent to key users limiting down time.
- HMI displays tips for machine faults for quick and easy troubleshooting.
- Detailed history and trends enable early detection of

P34A STANDARD CAPACITY, TONS PER 24 HOURS

Water Temperature	MODEL P34A (Ammonia Refrigerant)		
	7/8" DIA. ICE	1-1/8" DIA. ICE	1-3/8" DIA. ICE
33° F (27° C.)	37.7	43.6	39.3
39° F (21° C.)	39.7	46.0	41.5
45° F (15° C.)	41.9	48.5	43.9
51° F (10° C.)	44.4	51.5	46.7
Shipping Weight	24,500	24,100	23,700
Operating Weight	28,200	27,800	27,400

Model	Ice Machine THR (btu/hr)	Press Drop thru Condenser* (PSIG)	Condenser Water Req'd (GPM)	Water to Tower (° F)	Water from Tower (° F)
P34A	1,852,000	13	375/400**	95	85
*Pressure drop through condenser does not include water regulator.					
** P34A with carbon tubes requires 375 GPM, stainless condenser tubes requires 400GPM					

Capacity rating is average for the model. Individual machines may vary +/- 5%. Capacity based on ambient (air) temperature of 90° F. (32° C.). Capacity reduced 17% for 50hz. operation. Makeup water usage includes 20% blowdown.