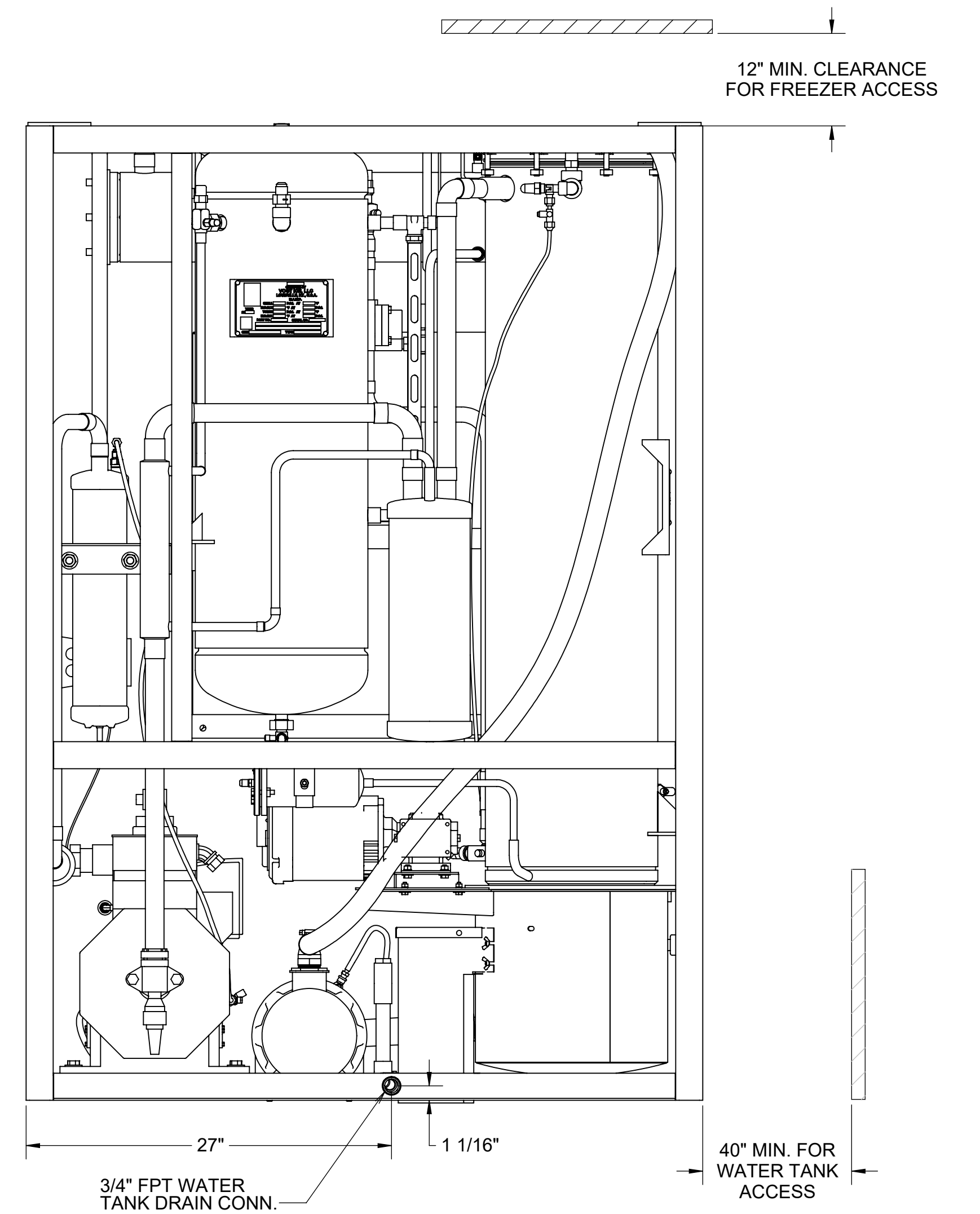
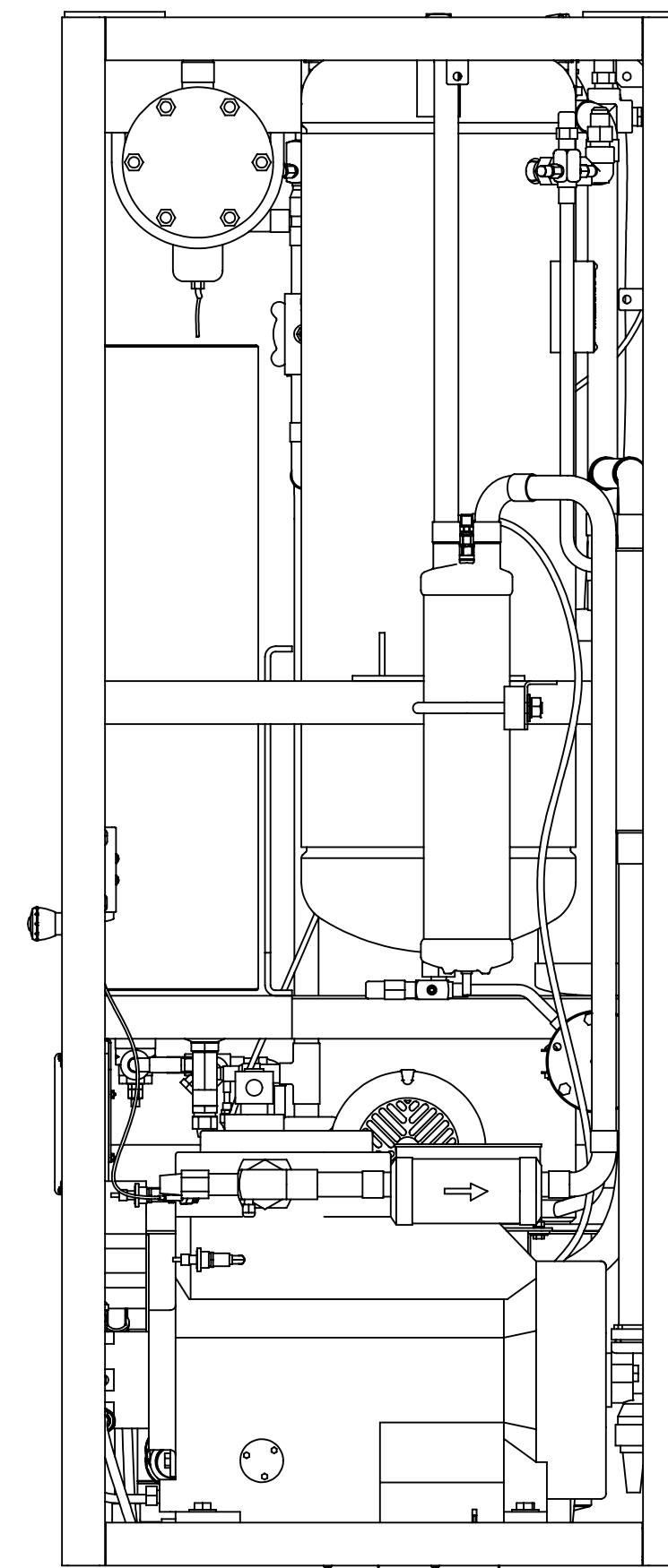
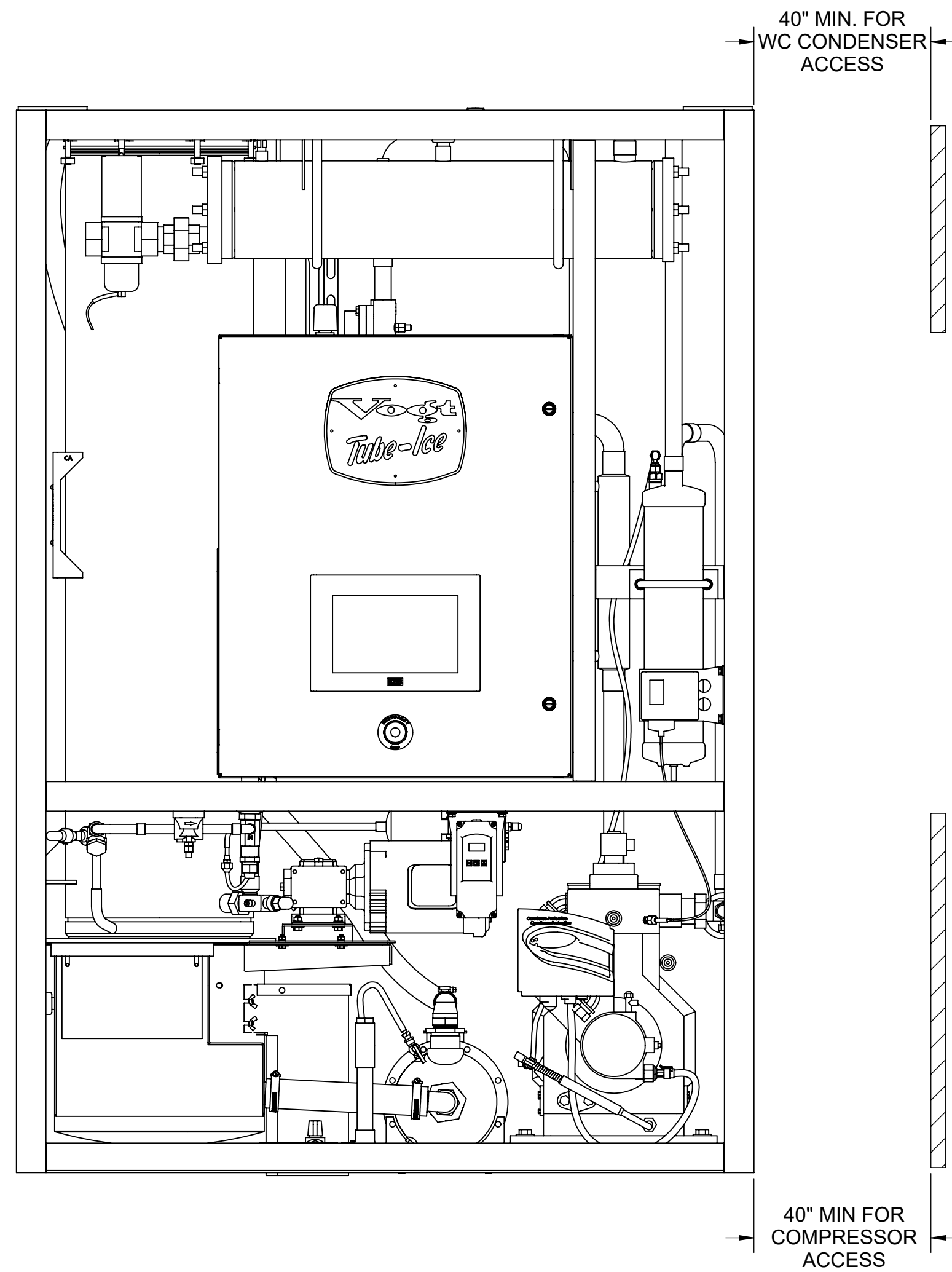
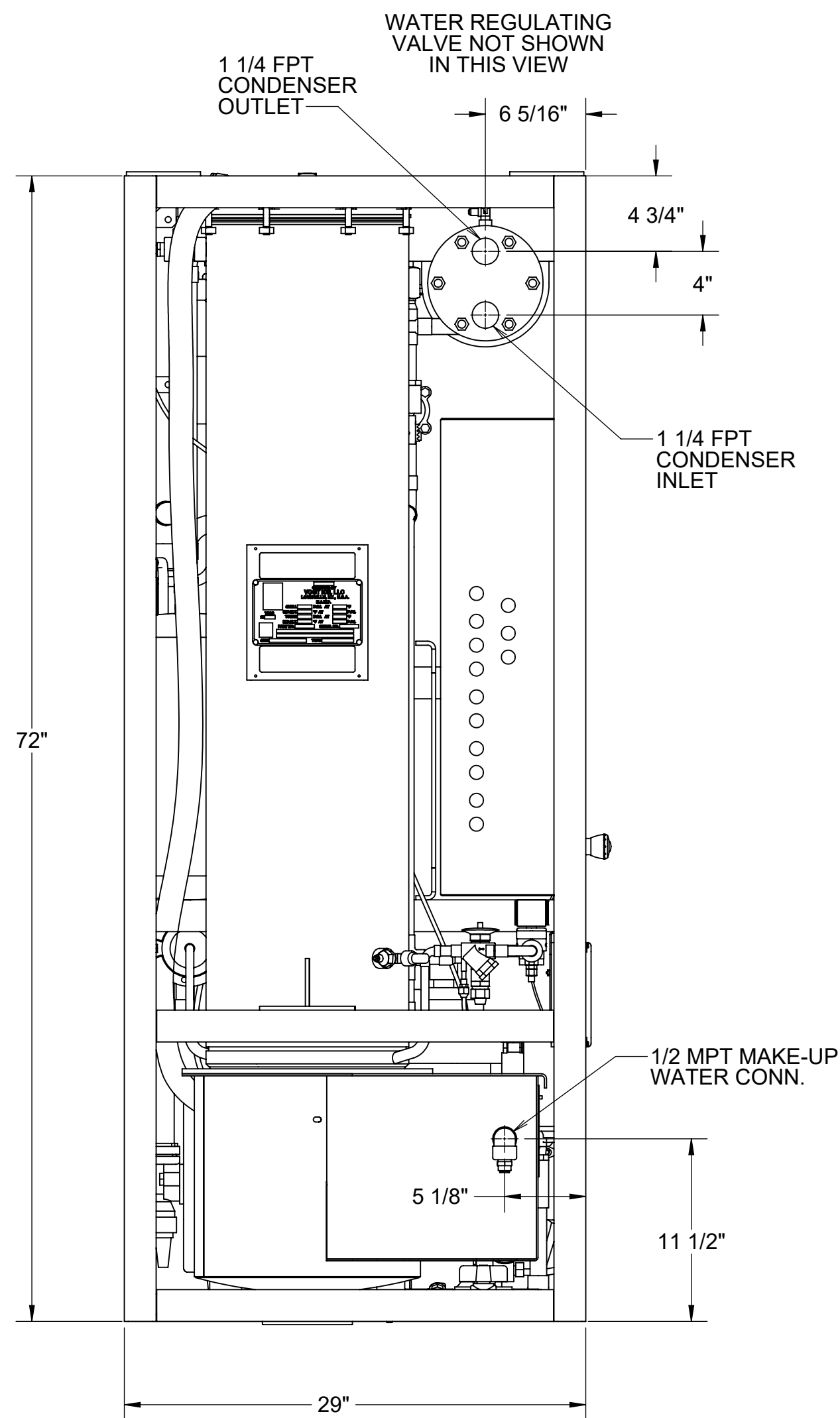


FOOTPRINT AND CHUTE LOCATION



THIS DRAWING CONTAINS VOGT ICE LLC
 CONFIDENTIAL & PROPRIETARY INFORMATION
 AND SHOULD BE USED ONLY FOR THE USES
 DISCLOSED IN WHOLE OR IN PART. EXCEPT WITH
 THE EXPRESS WRITTEN PERMISSION OF VOGT
 ICE LLC, NO OTHER REPRODUCTION OR
 DISCLOSURE IS EXPRESSLY STATED IN ANY WRITTEN
 CONTRACT. ALL WARRANTIES RELATING TO THIS
 DRAWING INCLUDING THE WARRANTIES OF
 MERCHANTABILITY & FITNESS ARE DISCLAIMED.
 © 2019 VOGT ICE LLC ALL RIGHTS RESERVED
 AS AN UNPUBLISHED WORK.

DWN. BY: LOGSDON
 CKD. BY:
 RLSD. BY:
 DATE: 07/17/23
 SCALE: 1:12

Vogt
 Tube Ice | Turbo
 03TC HFO WATER COOLED ICE MACHINE
 ASSEMBLY ALL TUBE SIZES

VOGT ICE LLC
 1000 WEST ORMSBY AVE
 LOUISVILLE, KY 40210
 TEL: 502.635.3000
 FAX: 502.634.0479
 www.vogtice.com

DWG. NO. 82212 CUSTOMER SHT. NO. 1 OF 1 REV. ..