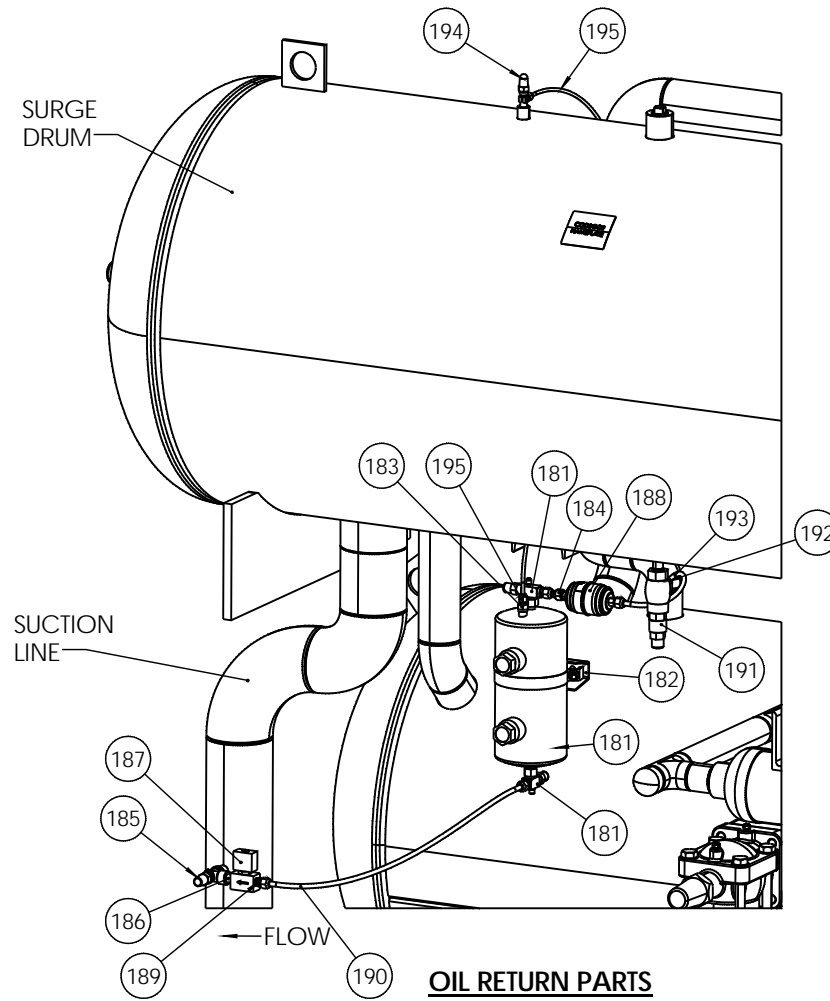


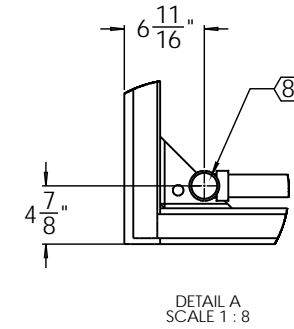
ITEM	CONNECTION	DESCRIPTION
1	COND. FLUID INLET	4" NPS FLANGE
2	COND. FLUID OUTLET	4" NPS FLANGE
3	ACCUM. SUCTION (WET)	5" NPS BW
4	ACCUM. LIQUID OUTLET	2-1/2" NPS
5	HOT GAS DEFROST OUTLET	3" NPS BW
6	COND. PSI RELIEF	1" FPT
7	RCVR. PSI RELIEF	1" FPT
8	AUX. HOT GAS OUTLET	1-1/2" NPS

OIL RETURN PARTS

ITEM NO.	PART NUMBER	QTY.	DESCRIPTION
181	12A3030A02	1	OIL RESERVOIR, TEMPRITE #47058, 3/8 SAE CONNS.
182	12A2051P05	1	6" OD VESSEL MOUNTING BRACKET
183	12A2451R02	1	ADAPTER, FLARE, WC, 3/8 (F) SAE X 1/4 (M) SAE (MUELLER #A-479)
184	12A2451A10	1	SWIVEL ADAPTOR, 3/8 FEMALE FLARE X 3/8 FEMALE FLARE
185	12A4200G0304	1	VALVE, ANGLE 3/8 MPT X FPT (PLATED)
186	12A3050C0202	1	PIPE NIPPLE 3/8 X 1.5" EX HVY. T.B.E.
187	12A4200A0309	1	SOLENOID VALVE, 3/8 FPT, 230V COIL
188	12A4140S36	1	STRAINER, OIL LINE 3/8" FLARE, 200 MESH
189	12A2451A09	1	ADAPTOR, BRASS, 3/8 MPT X 3/8 SAE FLARE
190	12A2742S22	1	SUPERHOSE, 3/8X3/8X28 LONG
191	12A4200G0409	1	VALVE, ANGLE, HANSEN #AT051C, 1/2" THREADED
192	12A2451A11	1	FLARE ADAPTER, BRASS, 3/8 SAE X 1/2 MPT
193	12A2742S20	1	SUPERHOSE, 3/8SAE X 3/8MPT X 18" LONG
194	12A4200G0201	1	VALVE, 1/4 MPT X 1/4 SAE
195	12A2742S09	1	SUPERHOSE, 1/4SAE X 1/4SAE X 72" LONG

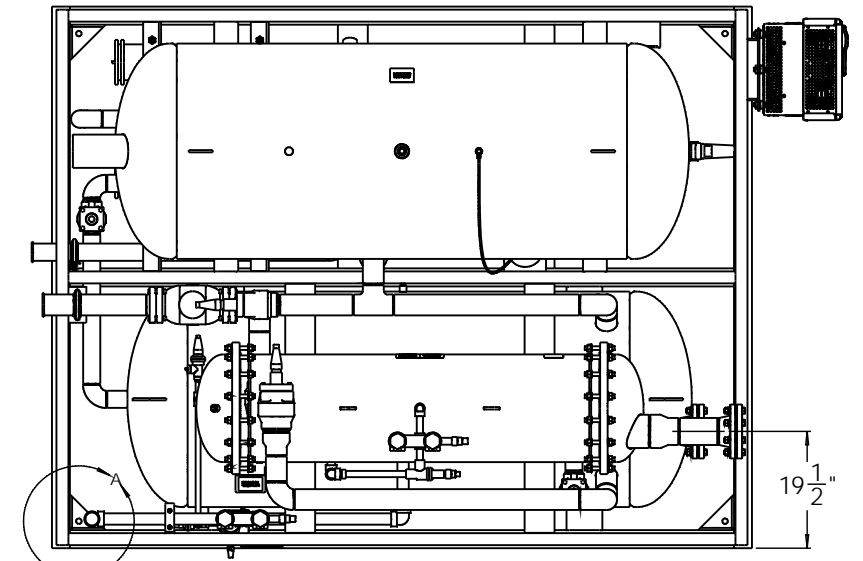


OIL RETURN PARTS



DETAIL A
SCALE 1 : 8

VESSEL PSI RELIEF	
MODEL (MFG)	H5602R (HANSEN)
CAPACITY	17.0 LBS/MIN
PSI RATING	250 PSI

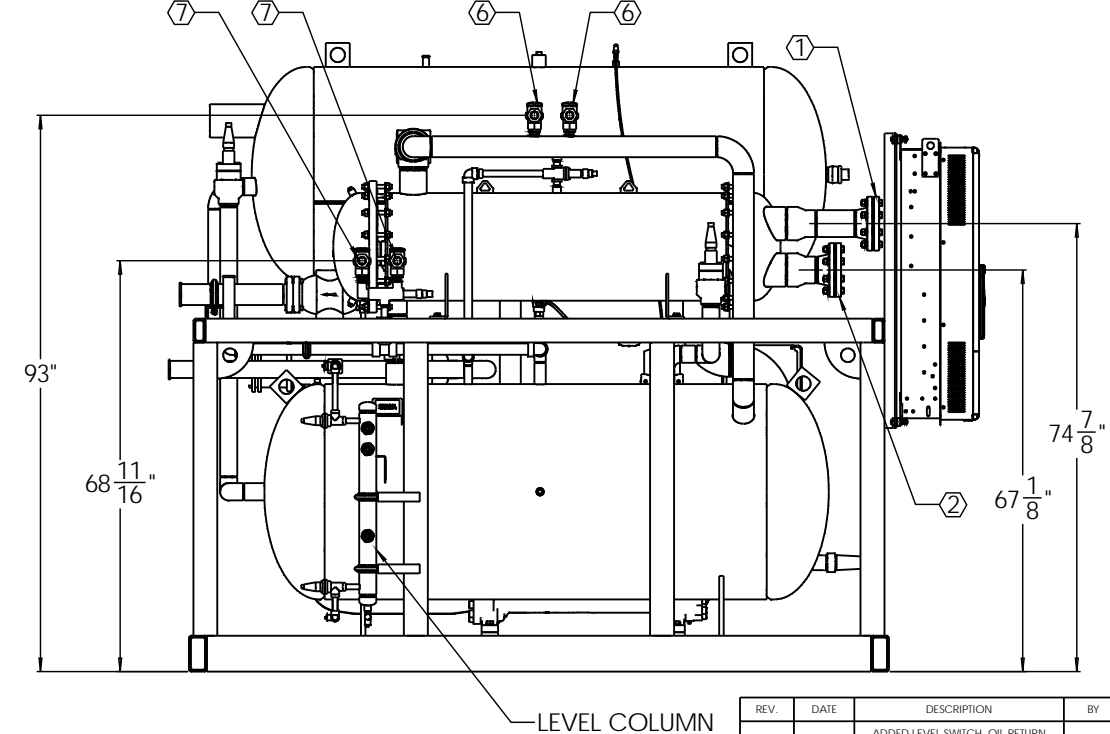
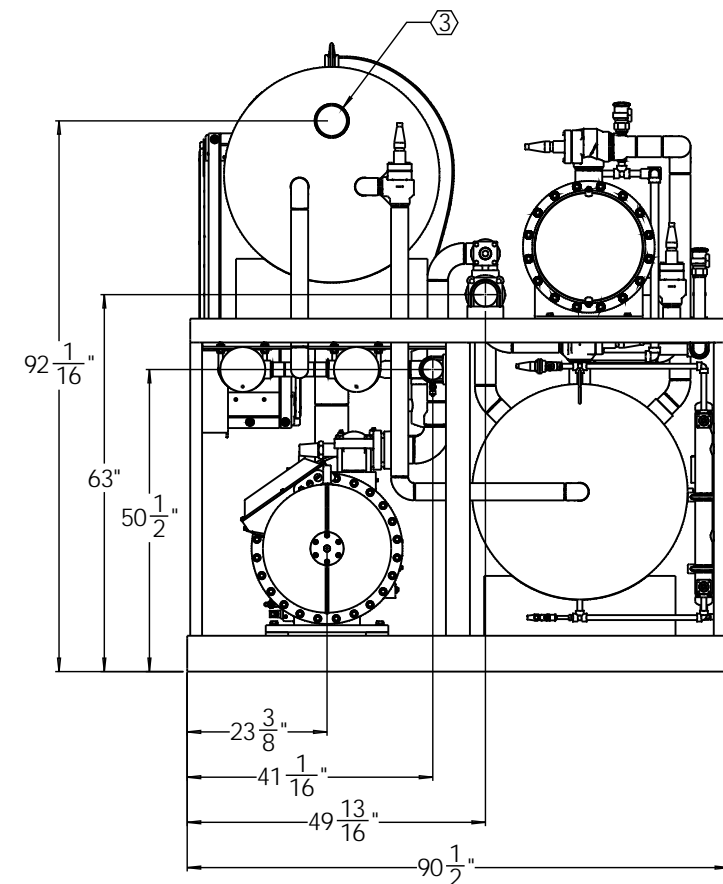
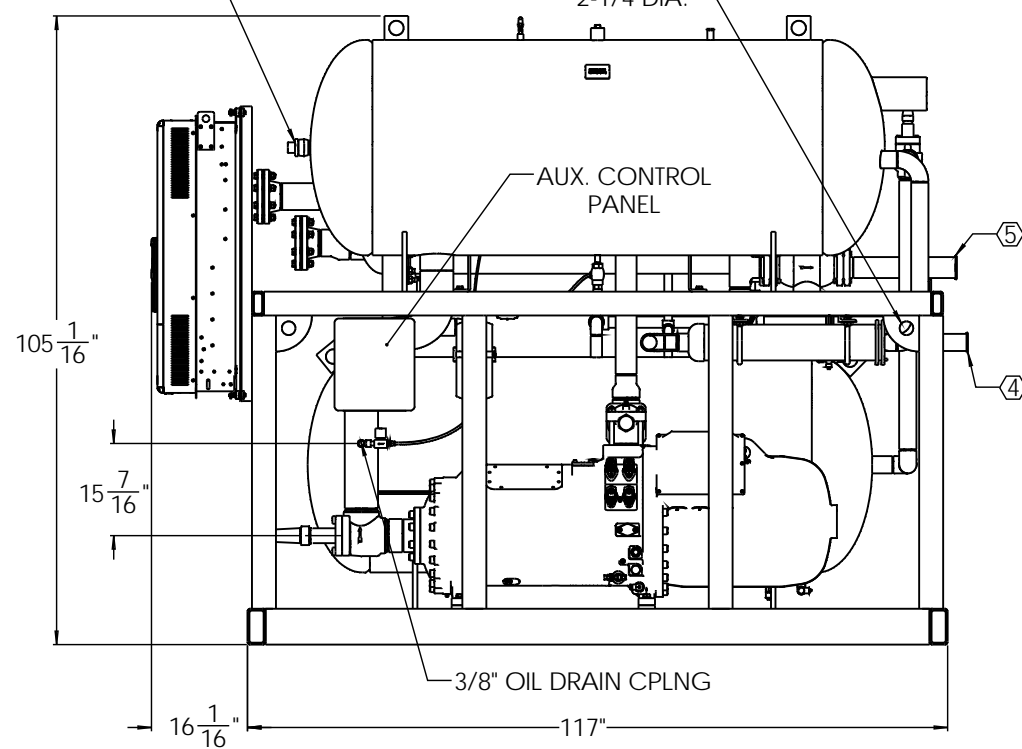


T023010160
SWITCH, LEVEL, ALM, 240V
ROCHESTER

4x LIFTING LUGS
2-1/4 DIA.

AUX. CONTROL
PANEL

3/8" OIL DRAIN CPLNG



LEVEL COLUMN

ALL DIMS SHALL BE AS FOLLOWS UNLESS OTHERWISE SPECIFIED	
FRACTIONAL	+/- 1/8
DECIMAL - X.XX	+/- 0.02
DECIMAL - X.XXX	+/- 0.005
ANGULAR	+/- 1°
ALL DIMS ARE ENGLISH UOS	

THIS DRAWING CONTAINS VOGT ICE LLC CONFIDENTIAL & PROPRIETARY INFORMATION AND CANNOT BE REPRODUCED OR COPIED IN WHOLE OR IN PART, EXCEPT WITH THE WRITTEN PERMISSION OF VOGT ICE LLC. VOGT ICE LLC EXPRESSLY DISCLAIMS ALL WARRANTIES RELATING TO THIS DRAWING INCLUDING THE WARRANTIES OF MERCHANTABILITY & FITNESS FOR USE. © 2018 VOGT ICE LLC ALL RIGHTS RESERVED AS AN UNPUBLISHED WORK.

DWN BY: LOGSDON
CKD BY:
RLSD BY:
DATE: 08/18/22
SCALE: 1:24

REV.	DATE	DESCRIPTION	BY
A	10/5/2022	ADDED LEVEL SWITCH, OIL RETURN PARTS AND AUX PANEL	DL

Vogt. 1000 WEST ORMSBY AVE
LOUISVILLE, KY 40210
TEL: 502.635.3000
FAX: 502.634.0479
www.vogtice.com

Tube Ice Turbo

MODULAR ENGINE ROOM, 50T HFO, WC COND, 460/3/60 POWER, 230/1/60 CONTROLS, VFD, W/LIQUID LEVEL COLUMN

DWG. NO: HFOPAK50WC-3
SHT. NO. 1 OF 2
REV. A