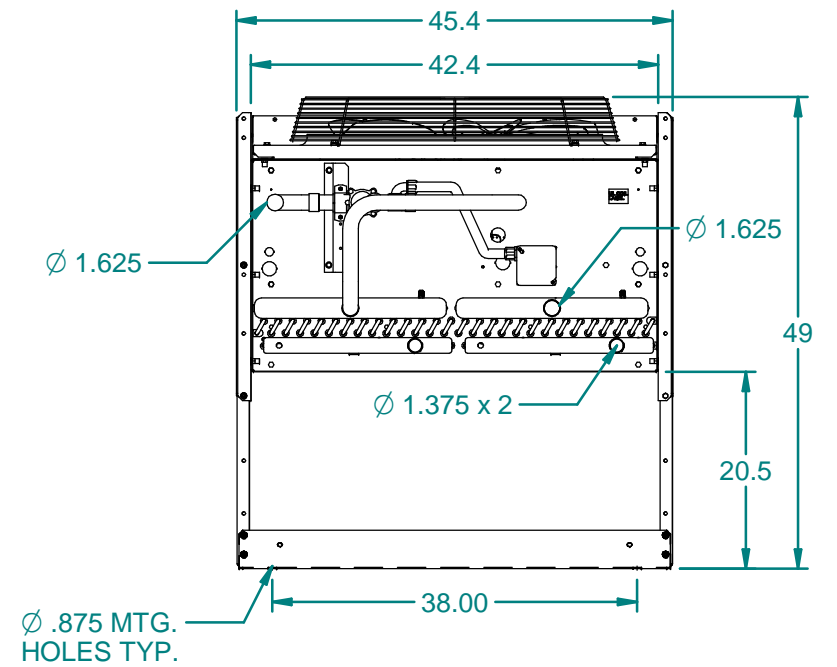
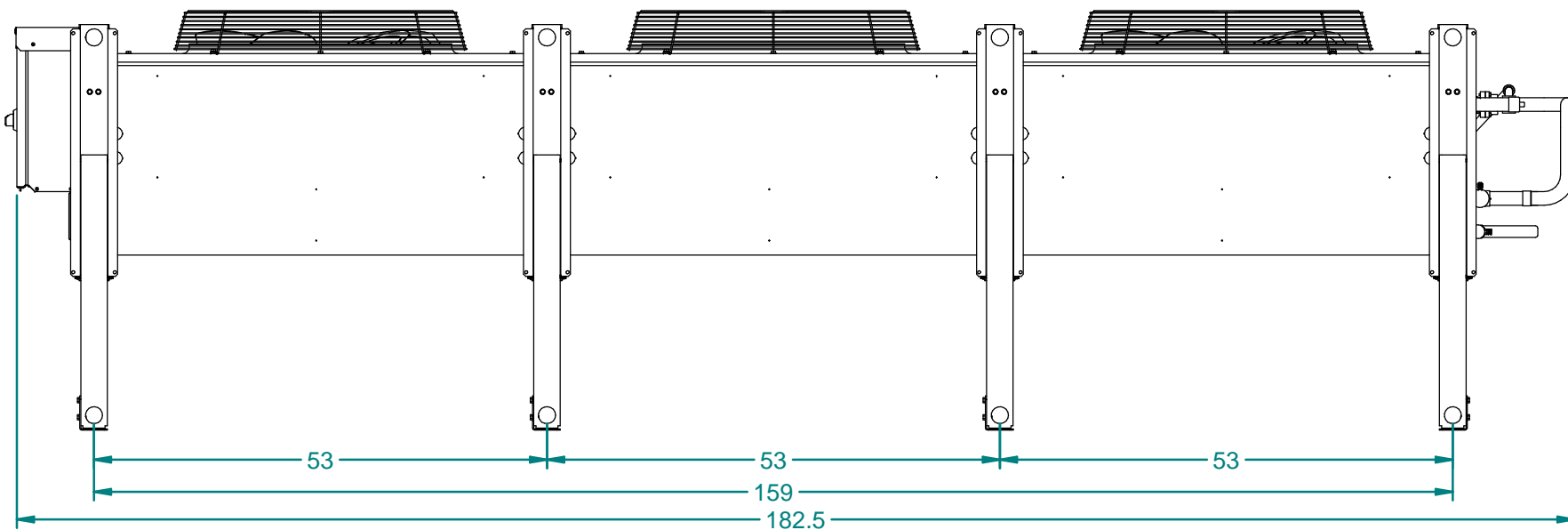



CONFIDENTIAL:
 THIS UNCONTROLLED DOCUMENT CONTAINS MATERIAL AND/OR INFORMATION WHICH IS THE PROPERTY OF HEATCRAFT INC. AND IS SUPPLIED ONLY ON A PROPRIETARY BASIS. NO TRANSMITTAL SHALL BE MADE TO ANY PERSON, FIRM OR CORPORATION WITHOUT PRIOR WRITTEN APPROVAL



	REFRIGERATION PRODUCTS LLC STONE MOUNTAIN, GEORGIA U.S.A.	TITLE:	NTC 1 X 3	
		PRODUCT:	NTC	
THIS DOCUMENT CONTAINS MATERIAL AND/OR INFORMATION WHICH IS THE PROPERTY OF HEATCRAFT REFRIGERATION PRODUCTS AND IS SUPPLIED ONLY ON A PROPRIETARY BASIS. NO TRANSMITTAL SHALL BE MADE TO ANY PERSON, FIRM, OR CORPORATION WITHOUT PRIOR WRITTEN APPROVAL.	DRAWN sxp3	DATE 11/14/23	PART NO.:	12A2115B16
	APPROVED -	DATE 11/14/23	DWG. NO.:	BNHS03A026 SUB
	SHEET 1 OF 1		REV.	-