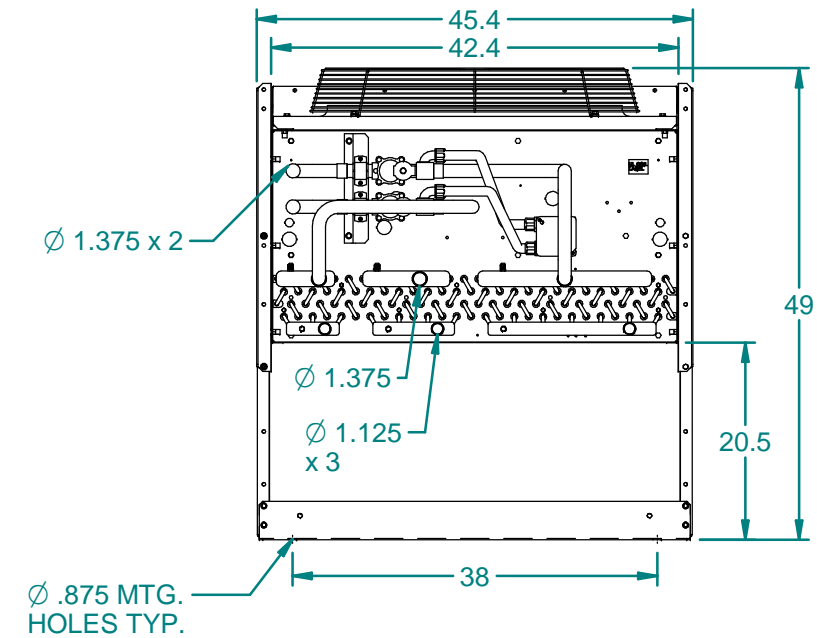
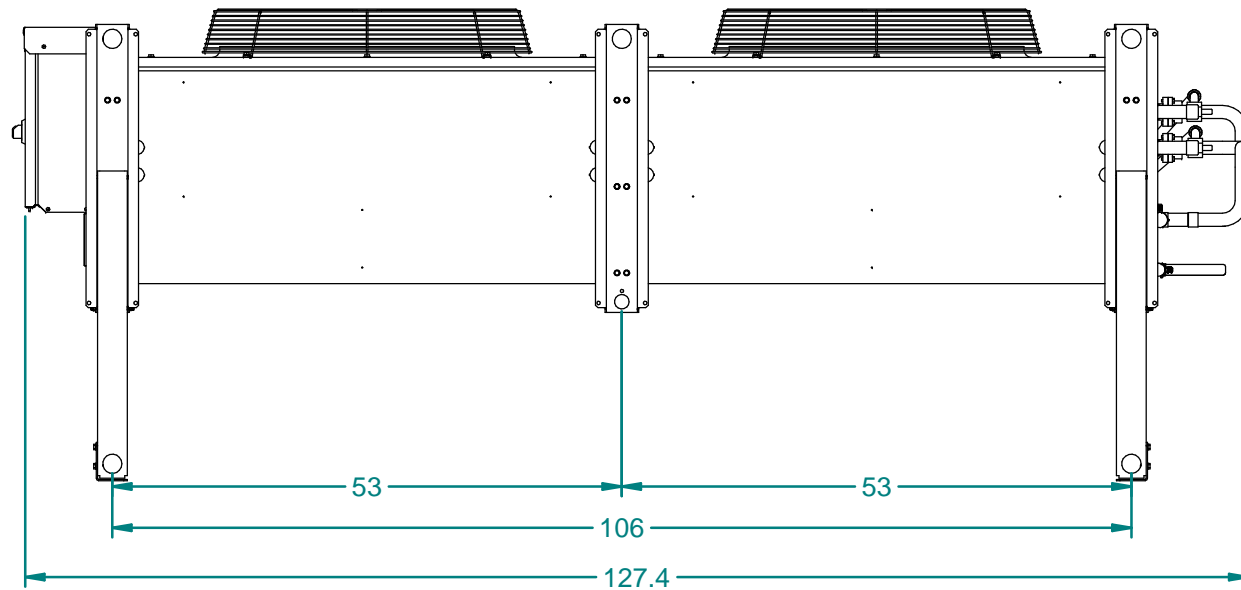



CONFIDENTIAL:
 THIS UNCONTROLLED DOCUMENT CONTAINS MATERIAL
 AND/OR INFORMATION WHICH IS THE PROPERTY OF
 HEATCRAFT INC. AND IS SUPPLIED ONLY ON A PROPRIETARY
 BASIS. NO TRANSMITTAL SHALL BE MADE TO ANY PERSON, FIRM
 OR CORPORATION WITHOUT PRIOR WRITTEN APPROVAL



 REFRIGERATION PRODUCTS LLC STONE MOUNTAIN, GEORGIA U.S.A.	TITLE: NTC 1 X 2	
	PRODUCT:	
THIS DOCUMENT CONTAINS MATERIAL AND/OR INFORMATION WHICH IS THE PROPERTY OF HEATCRAFT REFRIGERATION PRODUCTS AND IS SUPPLIED ONLY ON A PROPRIETARY BASIS. NO TRANSMITTAL SHALL BE MADE TO ANY PERSON, FIRM, OR CORPORATION WITHOUT PRIOR WRITTEN APPROVAL.	DRAWN sxp3 DATE 05/26/23	PART NO.: Vogt 12A2115B117
	APPROVED - DATE 05/26/23	
	SHEET 1 OF 1	DWG. NO.: BNHS02A017_SUB