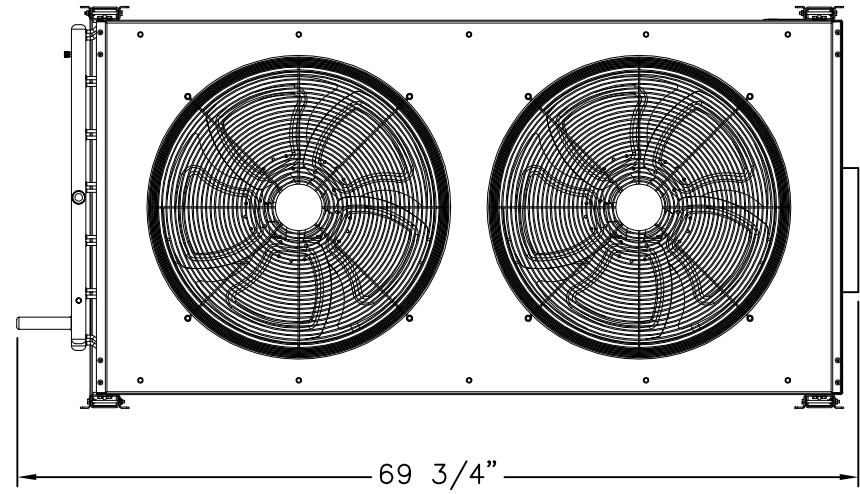
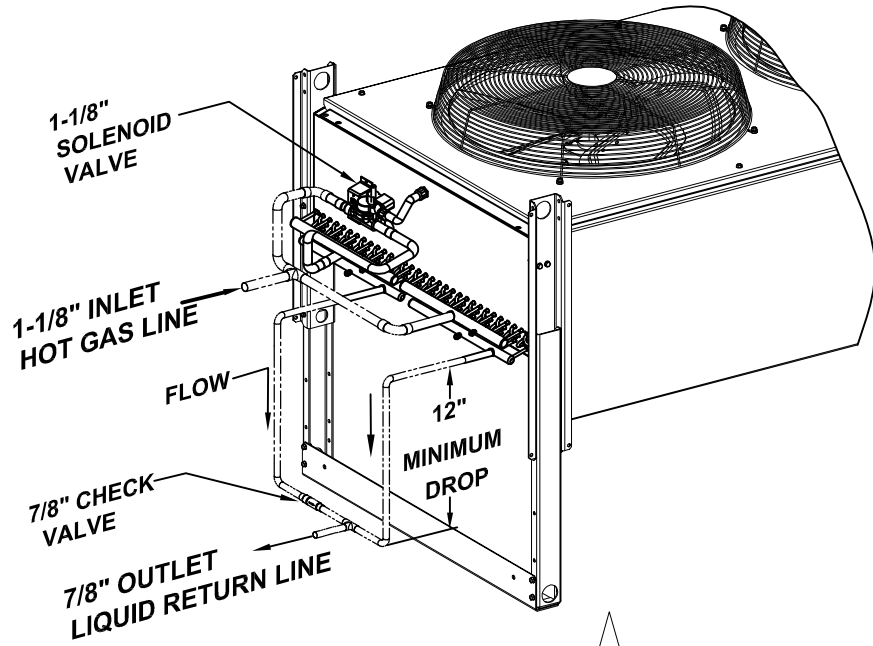
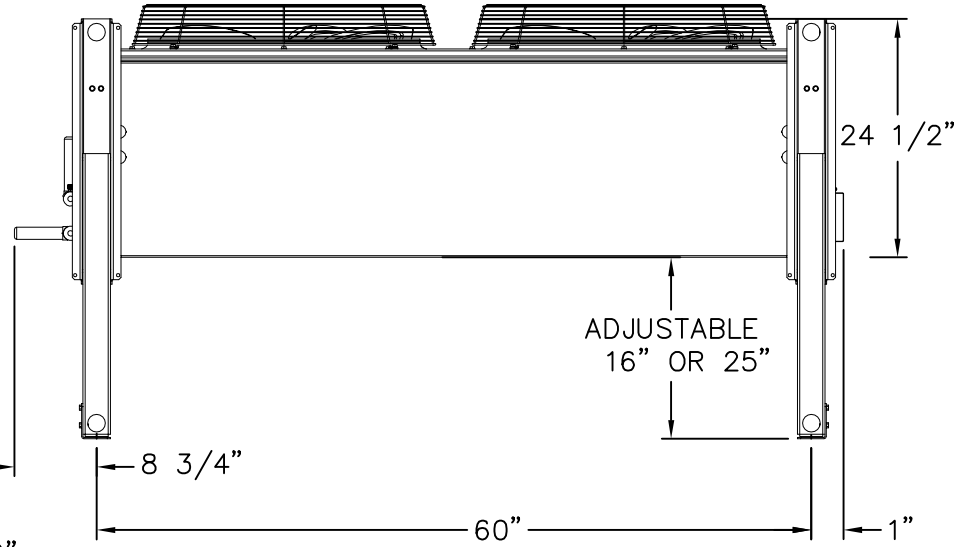
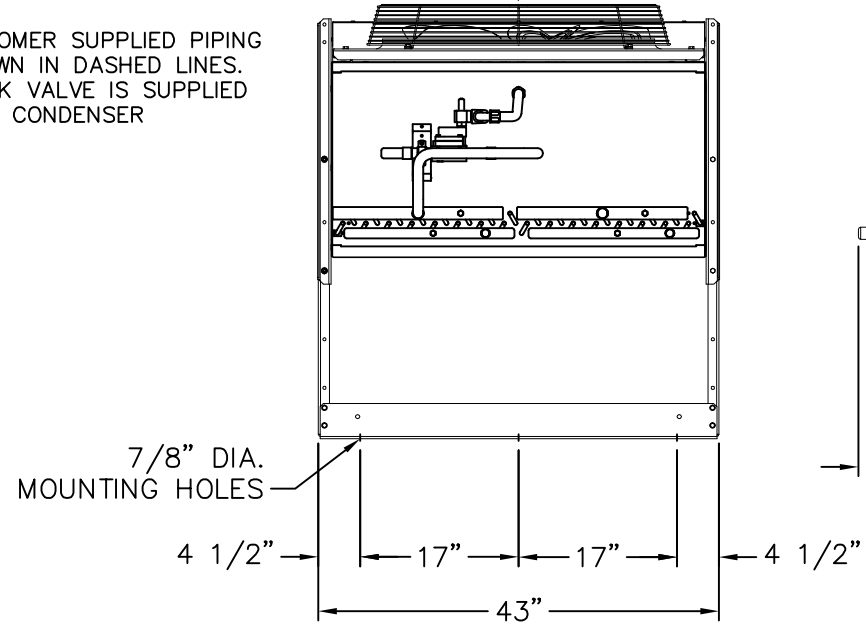


REVISION RECORD				
NO	DATE	FROM	TO	BY



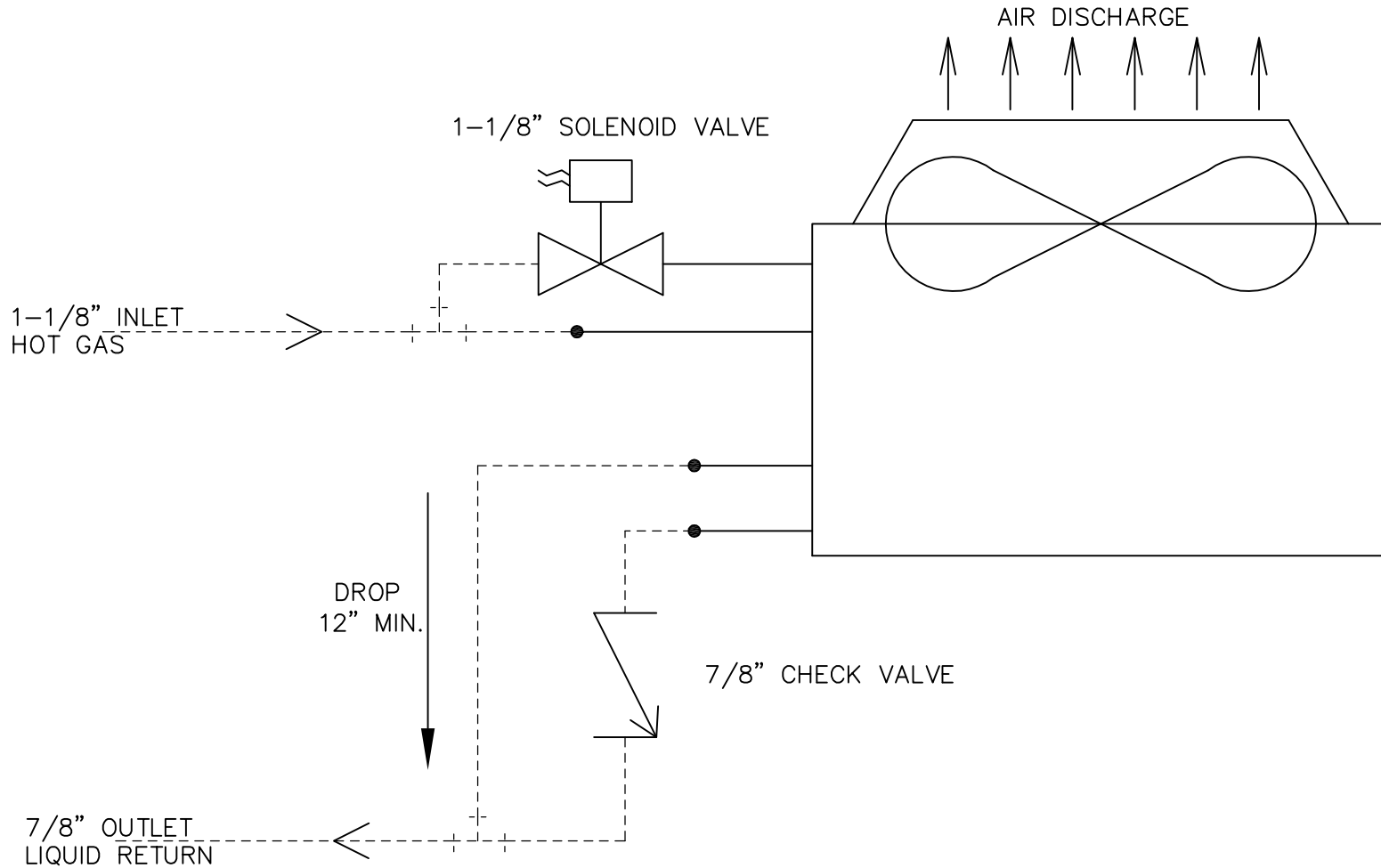
NOTE:  
 -CUSTOMER SUPPLIED PIPING SHOWN IN DASHED LINES.  
 -CHECK VALVE IS SUPPLIED WITH CONDENSER

**AIR FLOW**




<p>This drawing contains TUBE ICE, LLC confidential and proprietary information and cannot be used, distributed or disclosed in whole or in part, except with the express written permission of TUBE ICE, LLC.</p> <p>Except as expressly stated in any written contract, ALL WARRANTIES RELATING TO THIS DRAWING, INCLUDING THE WARRANTIES OF MERCHANTABILITY AND FITNESS, ARE DISCLAIMED.</p> <p>© 2004 TUBE ICE, LLC all rights reserved as an unaffiliated work.</p>	DWN. BY <u>Mirek Radzaj</u>	<p>1000 W. GRIMSBY AVE., LOUISVILLE, KY. 40210</p> <p><b>BOHN DVTO12</b>                  AIR-COOLED CONDENSER</p> <p>PART NO. 12A2115B05</p> <p>DRG. NO. 81881</p>
	CKD. BY _____	
	RLSD. BY _____	
	DATE <u>11/16/2010</u>	
	SCALE <u>N/A</u>	
SHEET 1 OF 1   C		

REVISION RECORD				
NO	DATE	FROM	TO	BY CK



This drawing contains TUBE ICE, LLC confidential and proprietary information and cannot be used, duplicated or disclosed in whole or in part, except with the express written permission of TUBE ICE, LLC.  
 Except as expressly stated in any written contract, ALL WARRANTIES RELATING TO THIS DRAWING, INCLUDING THE WARRANTIES OF MERCHANTABILITY AND FITNESS, ARE DISCLAIMED.  
 © 2004 TUBE ICE, LLC all rights reserved or an unpatented work.

DWN. BY	Mirek Radzaj
CKD. BY	
RLSD. BY	
DATE	11/16/2010
SCALE	N/A

 <b>TUBE ICE, LLC</b> <small>1000 W. ORMSBY AVE., LOUISVILLE, KY. 40210</small>	PIPING SCHEMATIC BOHN DVT012 AIR-COOLED CONDENSER
	PART NO. 12A2115B05 DRG. NO. 81881
SHEET 1 OF 1   C	