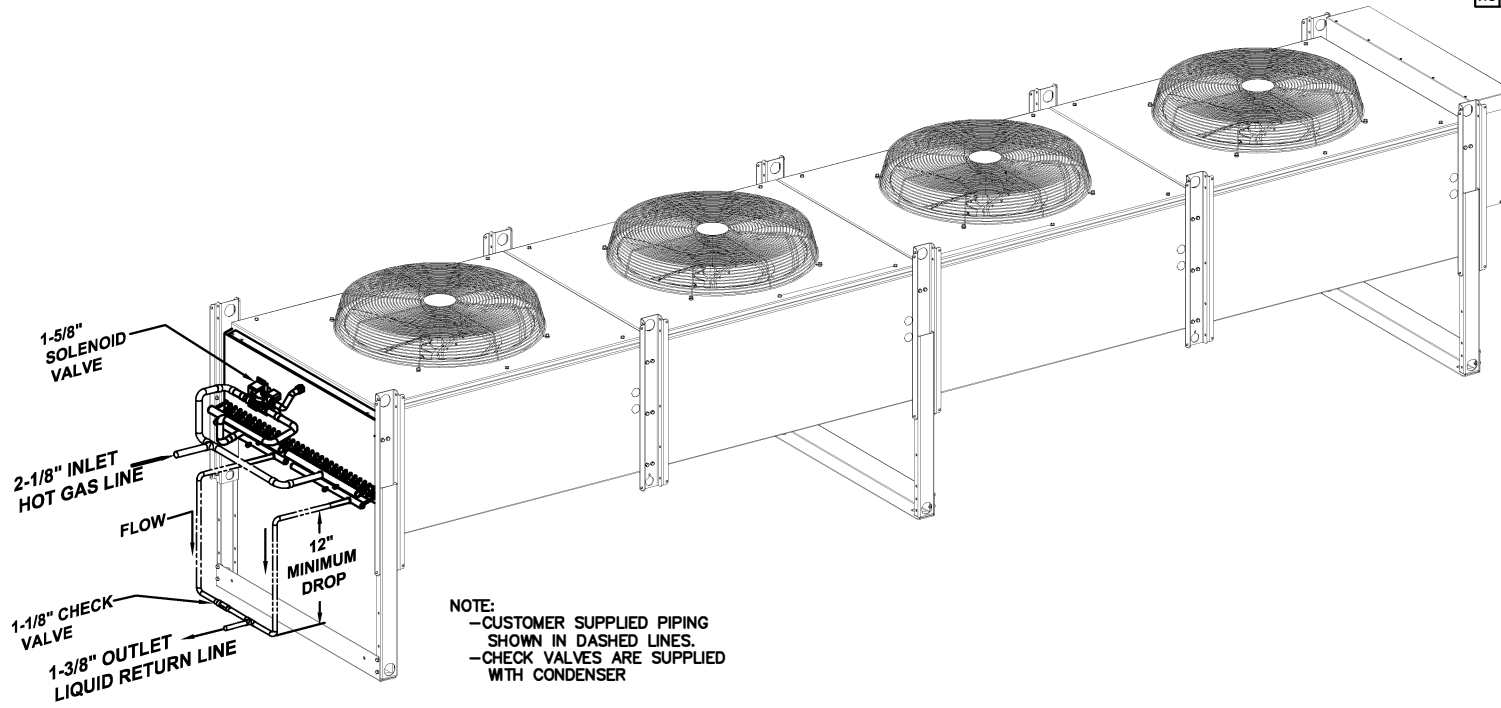
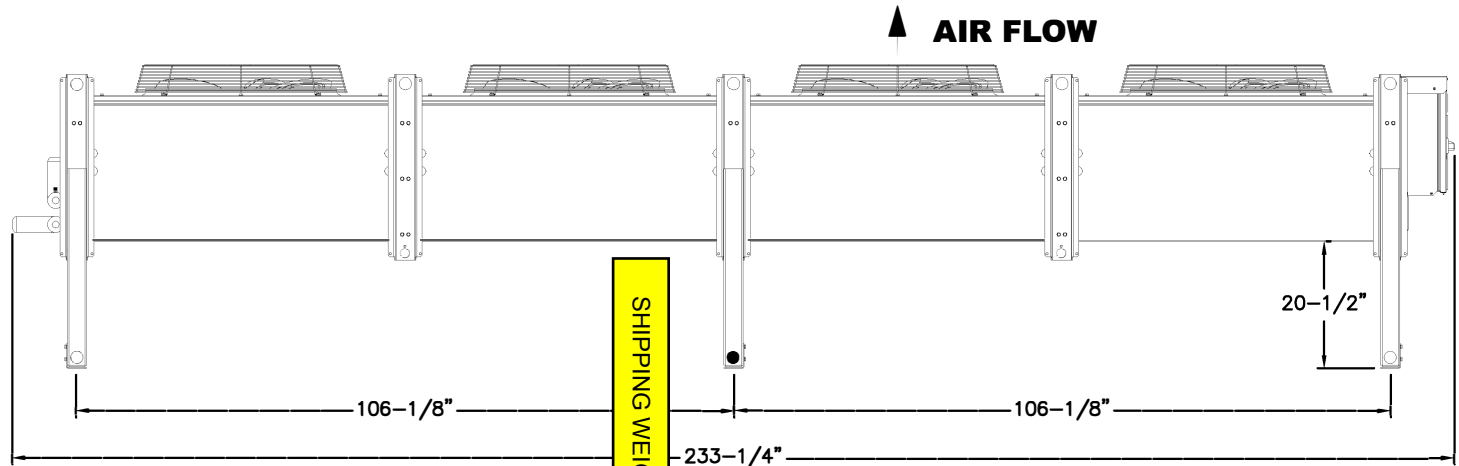
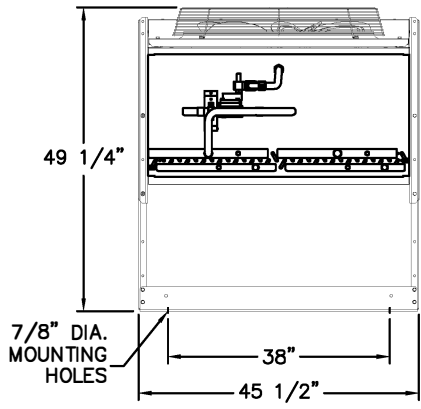


REVISION RECORD				
NO	DATE	FROM	TO	BY CK



NOTE:
 -CUSTOMER SUPPLIED PIPING SHOWN IN DASHED LINES.
 -CHECK VALVES ARE SUPPLIED WITH CONDENSER

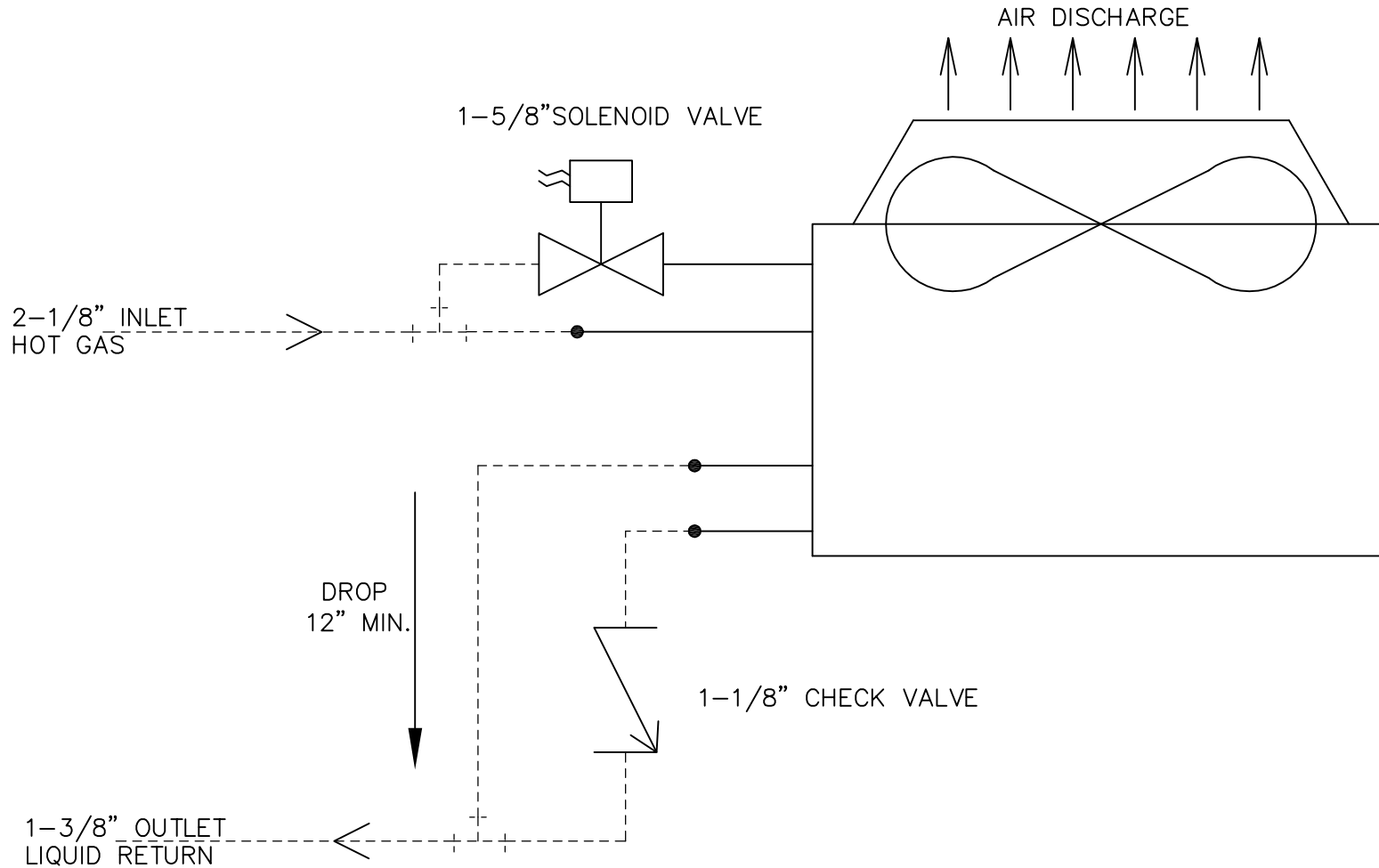


SHIPPING WEIGHT: 1520LBS

Net Weight: 1211


<small>This drawing contains TRADE SECRETS, UNLAWFUL TO REPRODUCE OR DISCLOSE TO ANY OTHER PERSON WITHOUT THE WRITTEN PERMISSION OF Vötsch Tube Ice, LLC. © 2004 Vötsch Tube Ice, LLC. All rights reserved. It is an unpatented trade secret.</small>	DWN. BY <u>Mirek Rodzaj</u>	<p>BOHN BNHS04A029 AIR-COOLED CONDENSER</p>
	CKD. BY _____	
	RLSD. BY _____	
	DATE <u>11/16/2010</u>	
	SCALE <u>N/A</u>	
PART NO. 12A2115B11 or 12A2115B114 DRG. NO. 81885		SHEET 1 OF 1 C

REVISION RECORD				
NO	DATE	FROM	TO	BY CK



This drawing contains TUBE ICE, LLC confidential and proprietary information and cannot be used, duplicated or disclosed in whole or in part, except with the express written permission of TUBE ICE, LLC.
 Except as expressly stated in any written contract, ALL WARRANTIES RELATED TO THIS DRAWING, INCLUDING THE WARRANTIES OF MERCHANTABILITY AND FITNESS, ARE DISCLAIMED.
 © 2004 TUBE ICE, LLC all rights reserved as an unaffiliated work.

DWN. BY	Mirek Radzaj
CKD. BY	
RLSD. BY	
DATE	11/16/2010
SCALE	N/A

 TUBE ICE, LLC <small>1000 W. ORMSBY AVE., LOUISVILLE, KY. 40210</small>	PIPING SCHEMATIC BOHN BNHS04A029 AIR-COOLED CONDENSER
	PART NO. 12A2115B11 DRG. NO. 81885
SHEET 1 OF 1 C	