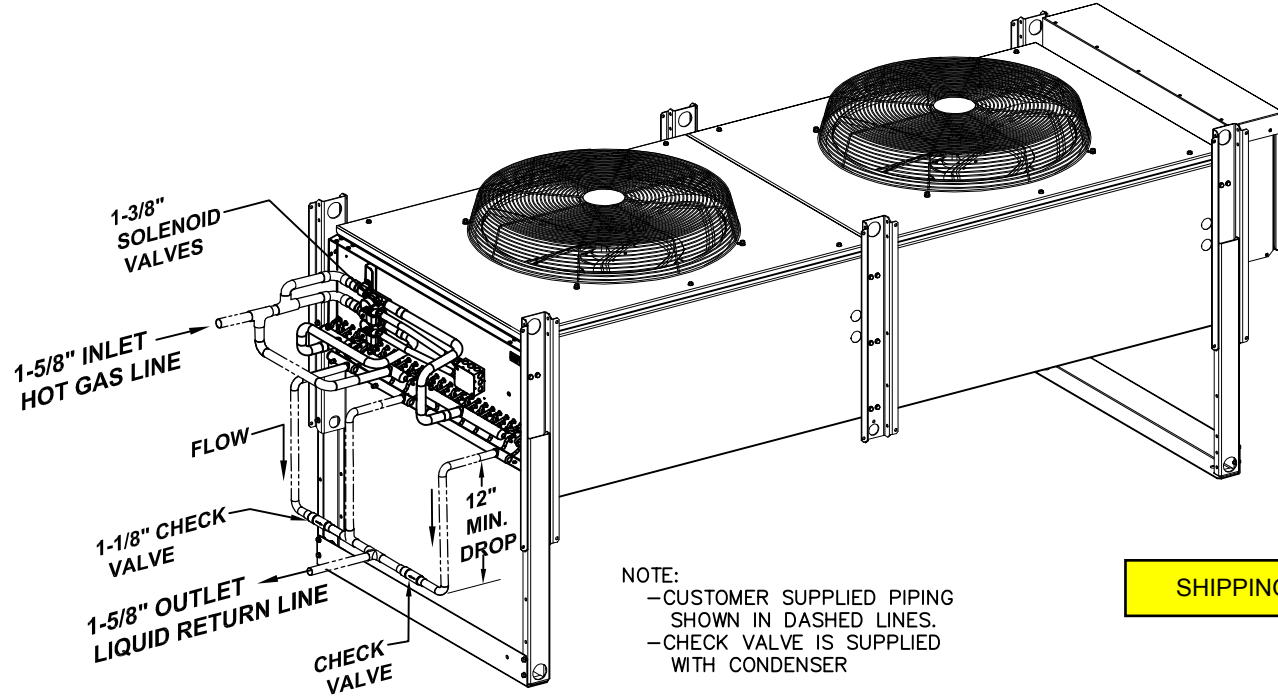
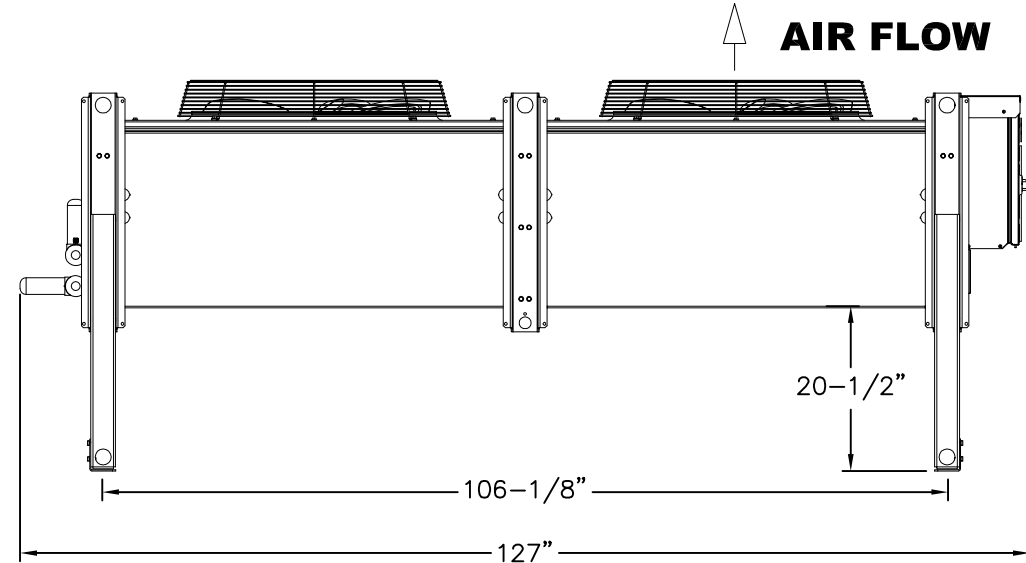
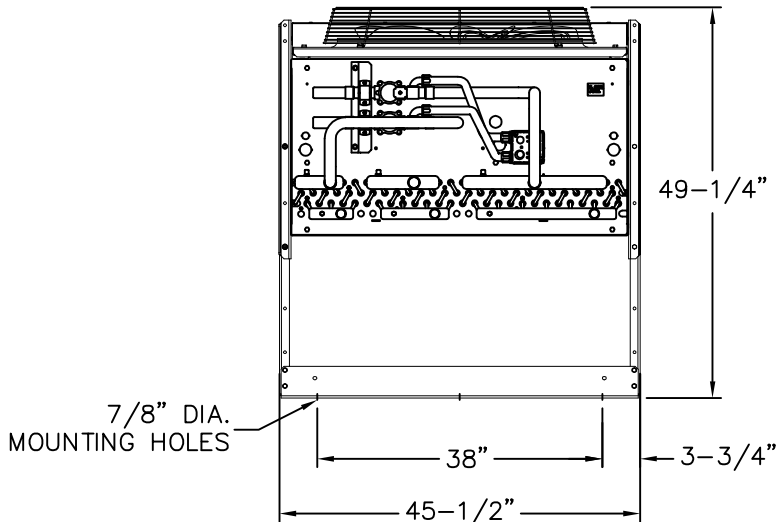


REVISION RECORD				
NO	DATE	FROM	TO	BY CK



NOTE:
 -CUSTOMER SUPPLIED PIPING SHOWN IN DASHED LINES.
 -CHECK VALVE IS SUPPLIED WITH CONDENSER

SHIPPING WEIGHT: 815LBS

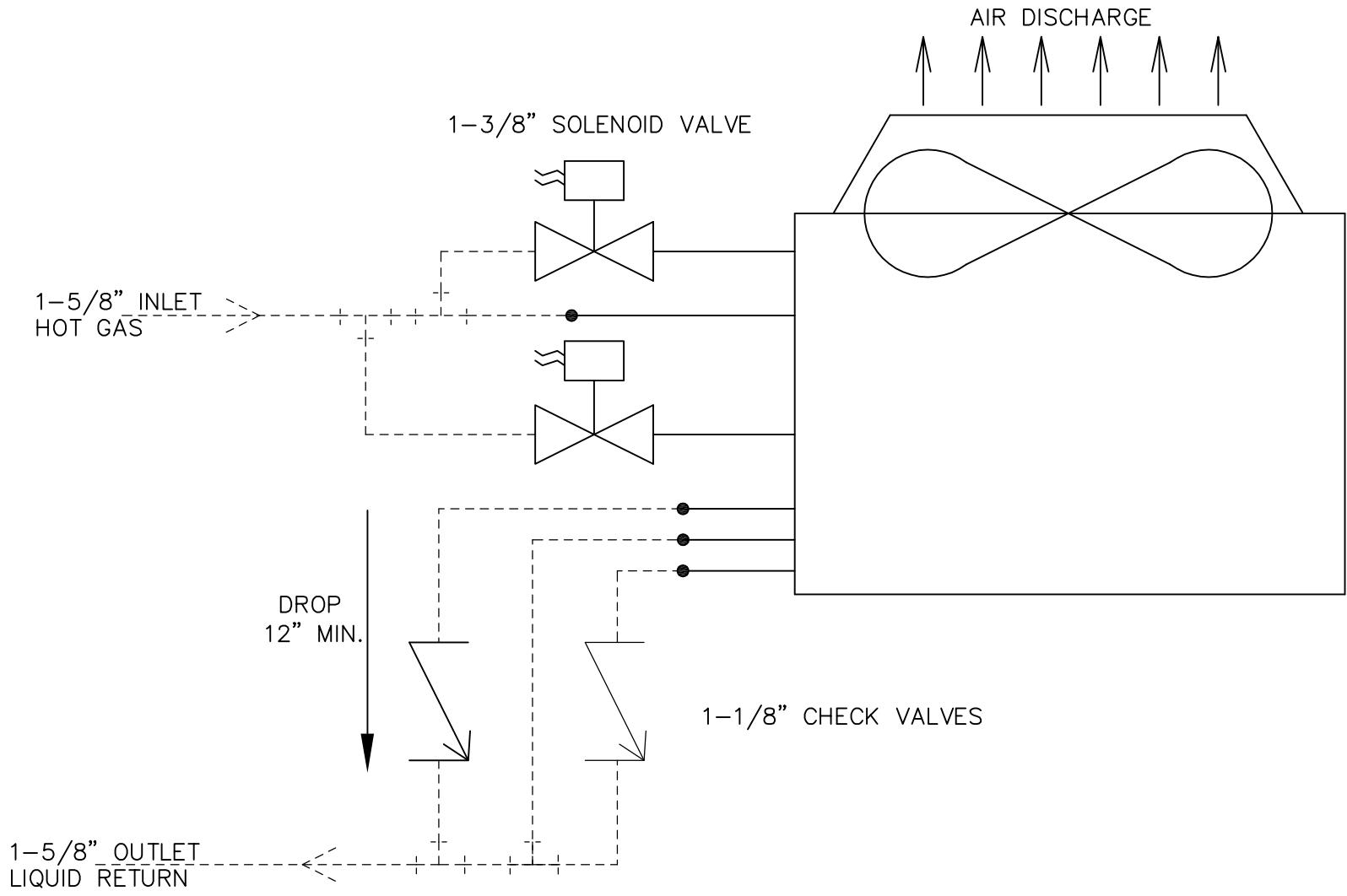


This drawing contains TUBE ICE, LLC confidential and proprietary information and cannot be used, distributed or disclosed in whole or in part, except with the express written permission of TUBE ICE, LLC.
 Except as expressly stated in any written contract, ALL WARRANTIES RELATING TO THIS DRAWING, INCLUDING THE WARRANTIES OF MERCHANTABILITY AND FITNESS, ARE DISCLAIMED.
 © 2004 TUBE ICE, LLC all rights reserved on an unpatented work.

DWN. BY Mirek Radzaj
 CKD. BY _____
 RLSD. BY _____
 DATE 11/16/2010
 SCALE N/A


TUBE ICE, LLC
 1000 W. GRMSBY AVE., LOUISVILLE, KY. 40210
BOHN BNHS02A015(8) & BNHS2A015(12)
AIR-COOLED CONDENSER
 PART NO. 12A2115B09/12A2115B10
 DRG. NO. 81884 SHEET 1 OF 1 | C

REVISION RECORD				
NO	DATE	FROM	TO	BY CK



This drawing contains TUBE ICE, LLC confidential and proprietary information and cannot be used, duplicated or disclosed in whole or in part, except with the express written permission of TUBE ICE, LLC.
Except as expressly stated in any written contract, ALL WARRANTIES RELATED TO THIS DRAWING, INCLUDING THE WARRANTIES OF MERCHANTABILITY AND FITNESS, ARE DISCLAIMED.
© 2004 TUBE ICE, LLC all rights reserved in an unaffiliated work.

DWN. BY	Mirek Radzaj
CKD. BY	
RLSD. BY	
DATE	11/16/2010
SCALE	N/A

 TUBE ICE, LLC <small>1000 W. ORMSBY AVE., LOUISVILLE, KY. 40210</small>	PIPING SCHEMATIC BOHN BNHS02A015 AIR-COOLED CONDENSER
	PART NO. 12A2115B09/12A2115B10 DRG. NO. 81884
SHEET 1 OF 1 C	