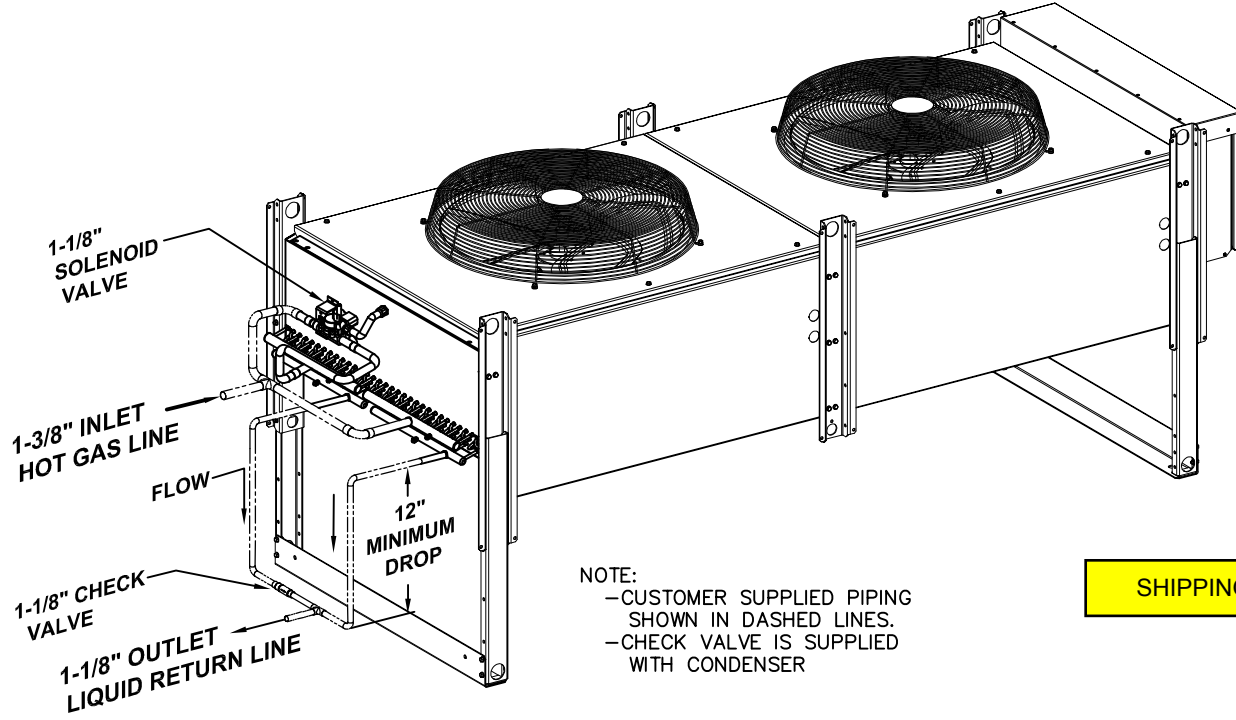
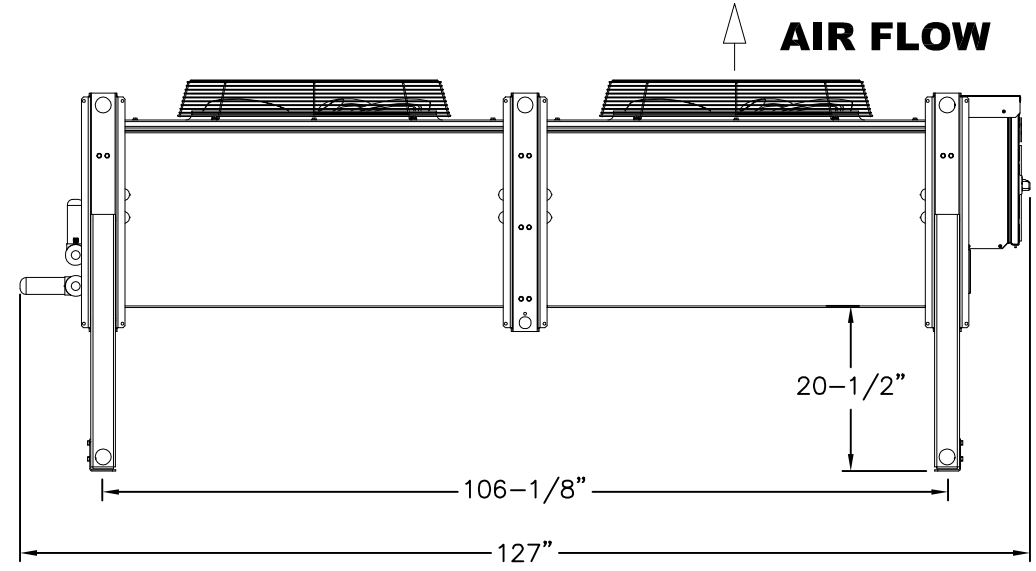
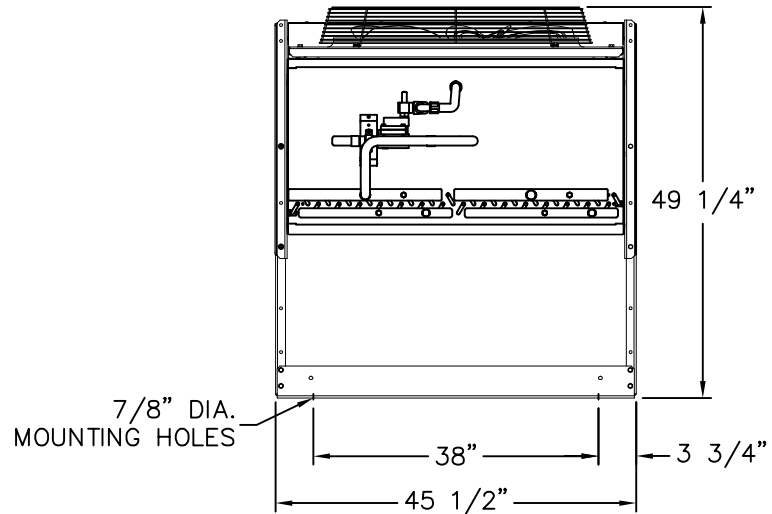


REVISION RECORD				
NO	DATE	FROM	TO	BY CK



NOTE:
 -CUSTOMER SUPPLIED PIPING SHOWN IN DASHED LINES.
 -CHECK VALVE IS SUPPLIED WITH CONDENSER

SHIPPING WEIGHT: 760 LBS

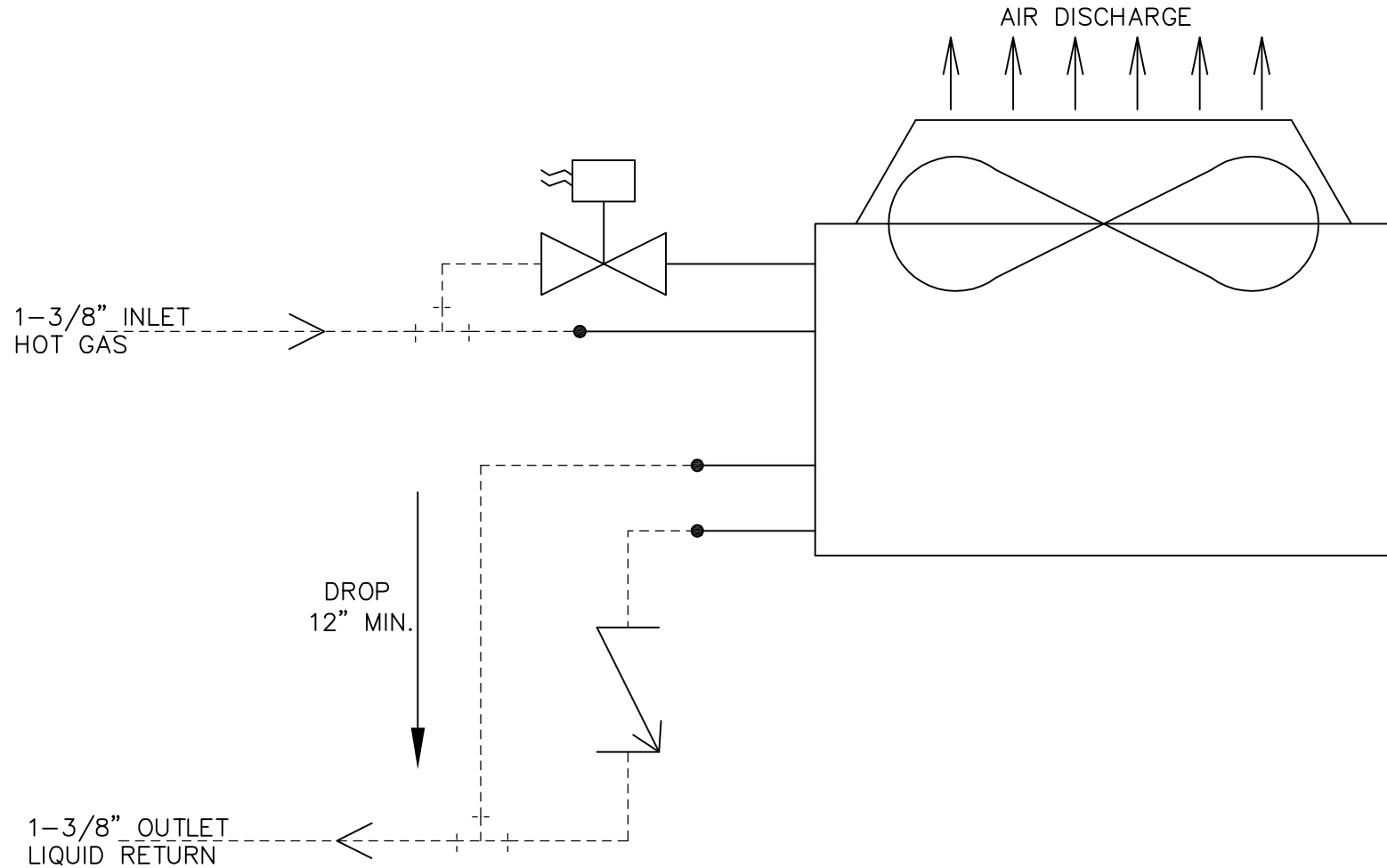


This drawing contains TUBE ICE, LLC confidential and proprietary information and cannot be used, duplicated or disclosed in whole or in part, except with the express written permission of TUBE ICE, LLC.
 Except as expressly stated in any written contract, ALL WARRANTIES RELATING TO THIS DRAWING, INCLUDING THE WARRANTIES OF MERCHANTABILITY AND FITNESS, ARE DISCLAIMED.
 © 2004 TUBE ICE, LLC all rights reserved on an unpatented work.

DWN. BY Mirek Radzaj
 CKD. BY _____
 RLSD. BY _____
 DATE 11/16/2010
 SCALE N/A

TUBE ICE, LLC
 1000 W. ORMSBY AVE., LOUISVILLE, KY. 40210
BOHN BNHS02A011 & BNHS02A011(12)
AIR-COOLED CONDENSER
 PART NO 12A2115B07/12A2115B08
 DRG. NO. 81883 SHEET 1 OF 1 | C


REVISION RECORD				
NO	DATE	FROM	TO	BY CK



This drawing contains TUBE ICE, LLC confidential and proprietary information and cannot be used, duplicated or disclosed in whole or in part, except with the express written permission of TUBE ICE, LLC.
 Except as expressly stated in any written contract, ALL WARRANTIES RELATING TO THIS DRAWING, INCLUDING THE WARRANTIES OF MERCHANTABILITY AND FITNESS, ARE DISCLAIMED.

© 2004 TUBE ICE, LLC all rights reserved or an unpatented work.

DWN. BY	Mirek Radzaj
CKD. BY	_____
RLSD. BY	_____
DATE	11/16/2010
SCALE	N/A

 TUBE ICE, LLC <small>1000 W. ORMSBY AVE., LOUISVILLE, KY. 40210</small>	
PIPING SCHEMATIC BOHN BNHS02A011 AIR-COOLED CONDENSER	
PART NO	12A2115B07/12A2115B08
DRG. NO.	81883
SHEET	1 OF 1