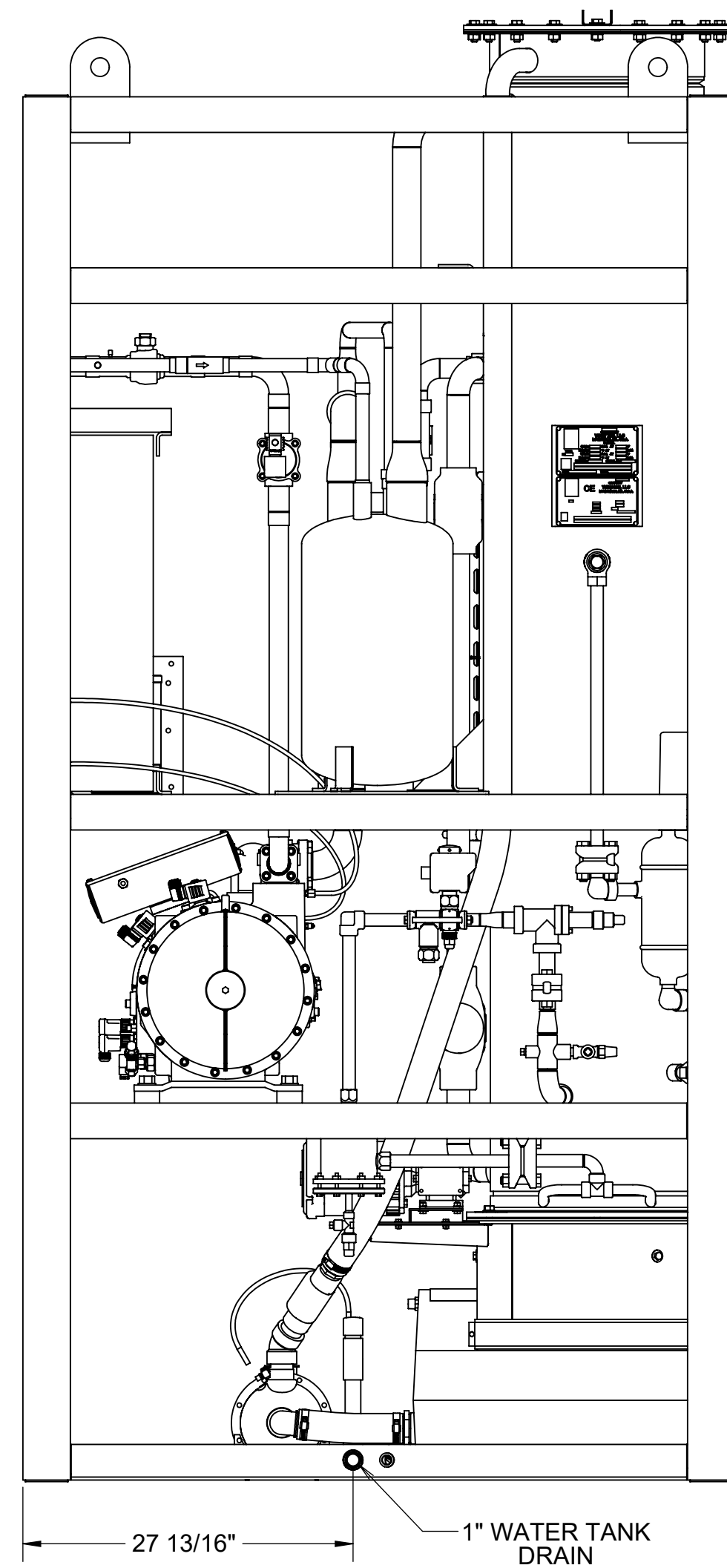
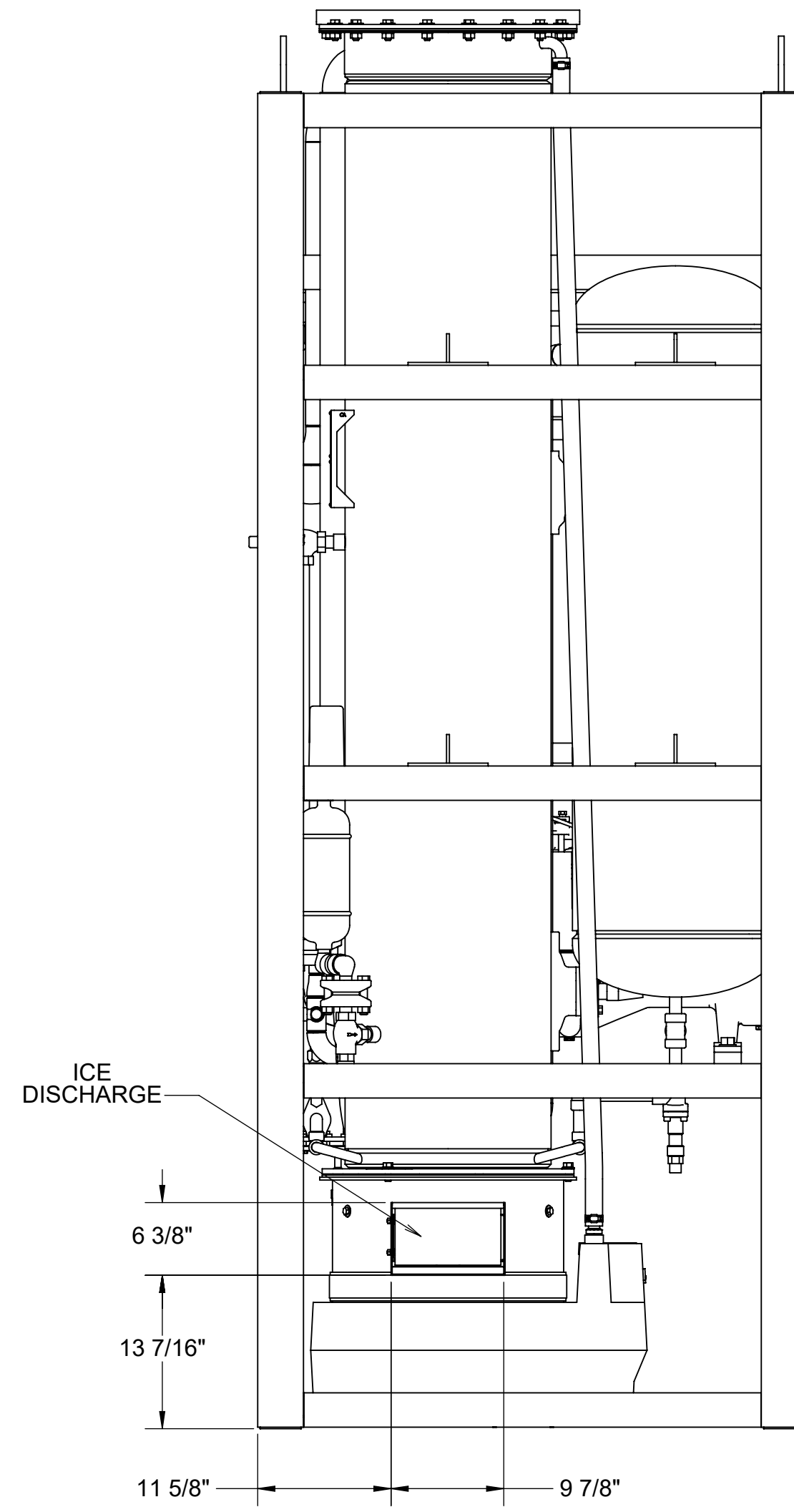


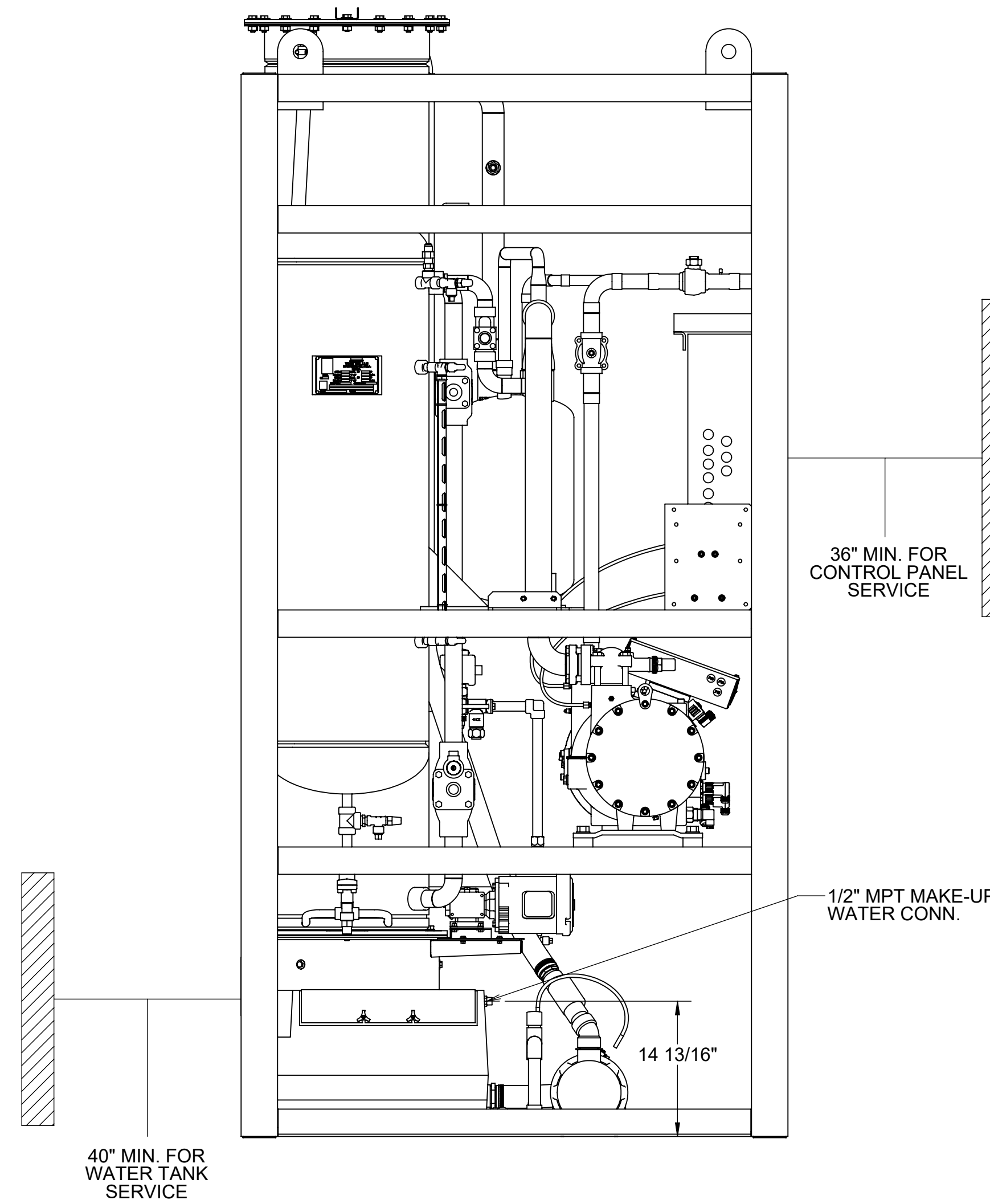
PLAN



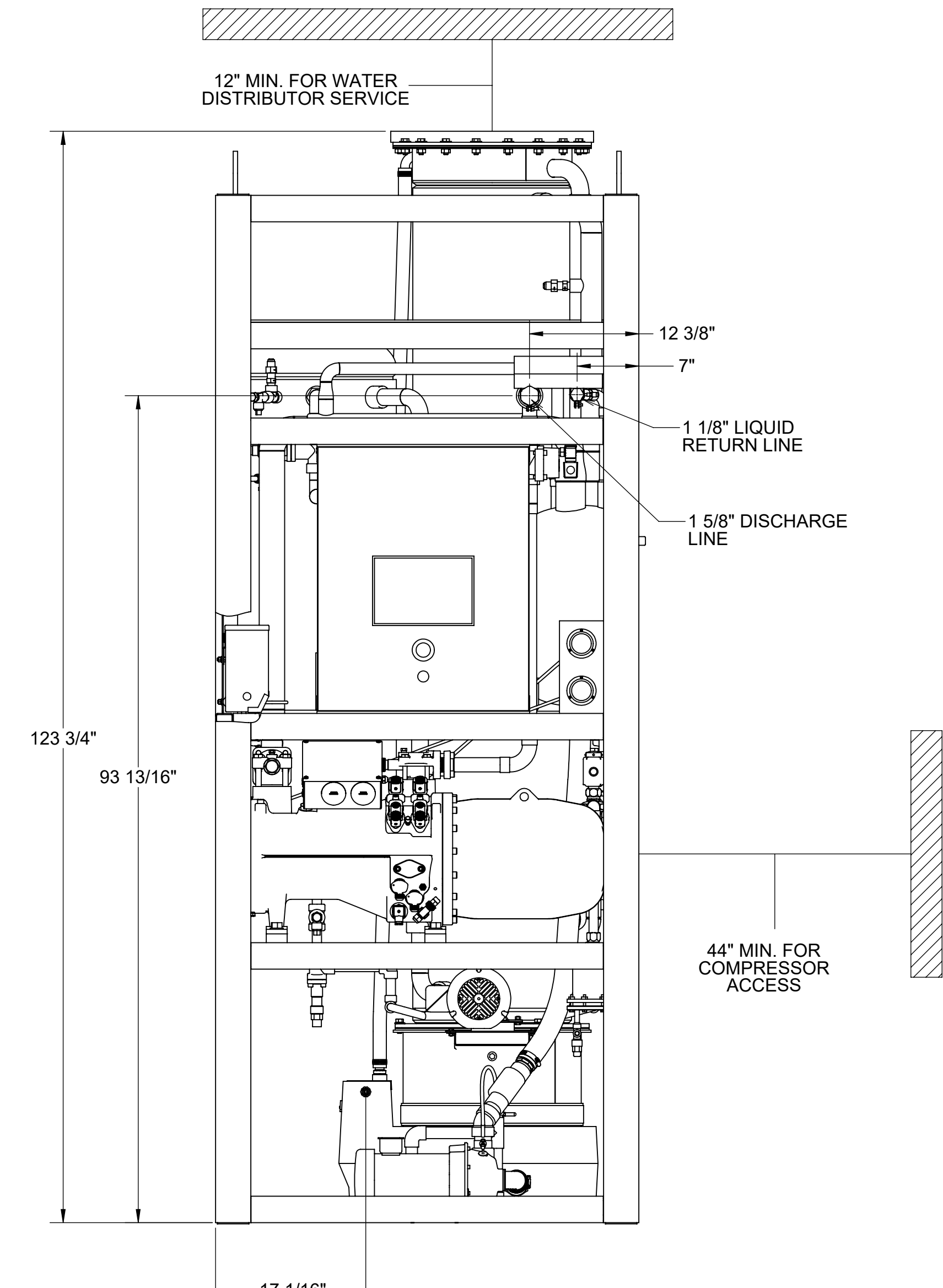
RIGHT SIDE



REAR



LEFT SIDE



FRONT

THIS DRAWING CONTAINS VOGT ICE LLC
CONFIDENTIAL & PROPRIETARY INFORMATION
AND SHOULD BE USED ONLY AS PART OF
A CONTRACT ALL WARRANTIES RELATING TO THIS
DRAWING INCLUDING THE WARRANTIES OF
MERCHANTABILITY & FITNESS ARE DISCLAIMED.
© 2019 VOGT ICE LLC ALL RIGHTS RESERVED
AS AN UNPUBLISHED WORK

DWN. BY: PECKENPAUGH
CKD. BY: _____
RLSD. BY: _____
DATE: 05/02/18
SCALE: 1:16

Vogt
1000 WEST ORMSBY AVE
LOUISVILLE, KY 40210
TEL: 502.635.3000
FAX: 502.634.0479
www.vogtice.com

Tube Ice Turbo

10TA TUBE ICE MACHINE ASSY, HFO
REFRIGERANT, AIR-COOLED, SCREW
COMPRESSOR

DWG. NO. 82122 CUSTOMER SHT. NO. 1 OF 1 REV. B