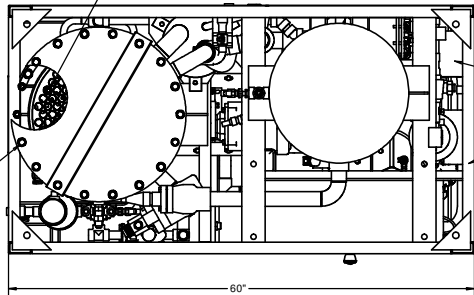
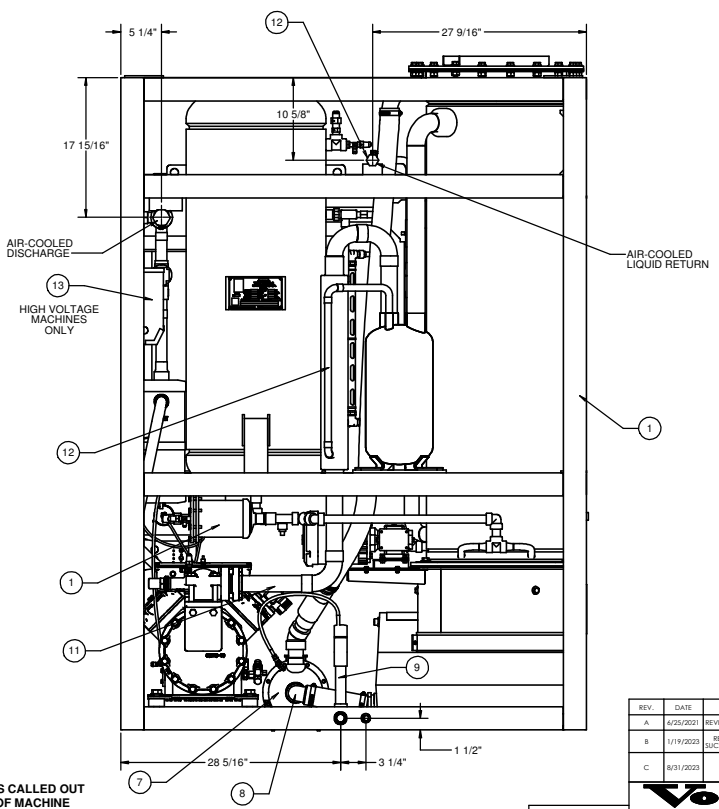
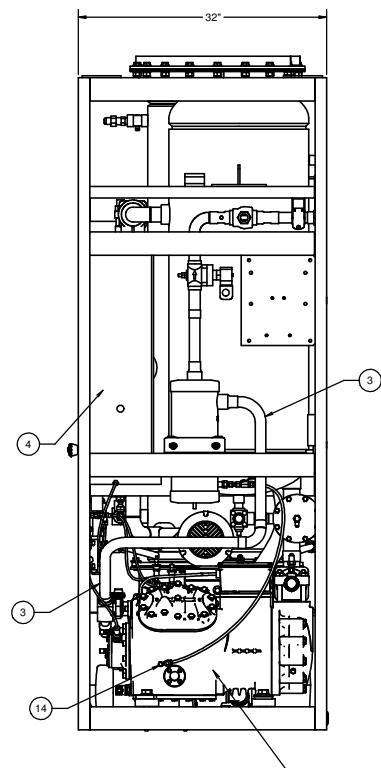
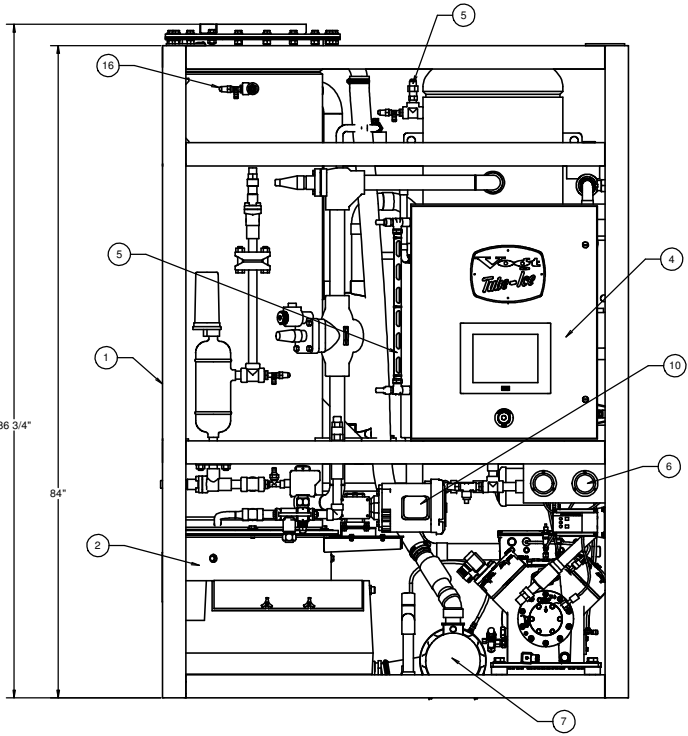


15
12B2185N11 - 1" WATER DISTRIBUTOR (156 REQ'D)
12B2185N21 - 1 1/4" WATER DISTRIBUTOR (102 REQ'D)
12B2185N31 - 1 1/2" WATER DISTRIBUTOR (72 REQ'D)



1
05TAKBSA4HFO - 1" FREEZER TUBES SUPPORT ASSY.
05TAKBSA5HFO - 1 1/4" FREEZER TUBES SUPPORT ASSY.
05TAKBSA6HFO - 1 1/2" FREEZER TUBES SUPPORT ASSY.

ITEM NO.	PART NUMBER	DESCRIPTION	AC 50&60HZ COMP.QTY.
1	05TAKBSA(...)-HFO	PRE ASSEMBLED KAN-BAN (ALL TUBE SIZES)	1
2	05TACTRTNPKG(...)	CUTTER TANK PKG. - SEE BOM FOR CORRECT ASSY. NUMBER	1
3	05TADLACHFO	05TA HFO AIR COOLED DISCHARGE LINE PARTS	1
4	19T2120M21(...)	CTRL PNL. SEE BOM FOR SPECIFIC NUMBER	1
5	05TARPHFO	05TA HFO RECEIVER PARTS	1
6	05TAGAGEPKGM	05TA HFO GAGE PARTS	1
7	12A4020G(...)	PUMP FOR 05TA MACHINES - SEE BOM FOR MODEL NUMBER	1
8	05TAPUMPPRTS(...)	05TA WATER PUMP PARTS. SEE BOM FOR PART NUMBER	1
9	05TADRAINPRTS	DRAIN PARTS	1
10	12A2900M0(...)	CUTTER MOTOR, MID-SIZE MACHINES - SEE BOM FOR PART NUMBER	1
11	05TASUCLINHFOC2	05TA HFO COPPER SUCTION LINE PARTS	1
12	05TALRACHFOC2	05TA HFO COPPER LIQUID RETURN AIR-COOLED	1
13	CTRL TRANSI(...)	TRANSFORMER PARTS. SEE BOM FOR PART NO.	1
14	05TACPHFO	05TA. HFO. COMPRESSOR PARTS	1
15	12B2185N(...)	WATER DISTRIBUTOR - SEE BOM FOR SIZE AND PART NUMBER	1
16	05TAFPHFO	05TA HFO FREEZER PARTS	1



NOTE:
COMPRESSOR IS CALLED OUT
ON TOP LEVEL OF MACHINE
BOM. SEE SPECIFIC MODEL
NUMBER FOR COMPRESSOR
PART NUMBER.

THIS DRAWING CONTAINS VOGLT LOGO AND TRADEMARKS. ALL RIGHTS RESERVED. NO PARTS OR MATERIALS MAY BE REPRODUCED OR TRANSMITTED IN ANY FORM OR BY ANY MEANS, ELECTRONIC OR MECHANICAL, INCLUDING PHOTOCOPYING, RECORDING, OR BY ANY INFORMATION STORAGE AND RETRIEVAL SYSTEM.

DWN. BY: LOOSDON
CKD. BY:
RLSD. BY:
DATE: 06/22/17
SCALE: 1:12

REV.	DATE	DESCRIPTION	BY
A	4/25/2021	REVISED SUCTION AND THAW GAS LINES	DAVE
B	1/19/2023	REVISED AS 'W' SERIES WITH REVISED SUCTION LINE AND LIQUID RETURN LINE	DAVE
C	9/31/2023	REMOVED THAW GAS LINE 05TAHAWL8HFOC	DAVE

Vogt.
1000 WEST COMBSBY AVE
LOUISVILLE, KY 40210
TEL: 502.858.3000
FAX: 502.858.8479
www.vogtice.com

Tube Ice | Turbo
05TA, HFO, AIR-COOLED
ASSEMBLY
50/60HZ ALL TUBE SIZES
DWG NO. 82090 SHI. NO. 1 OF 1 REV. C