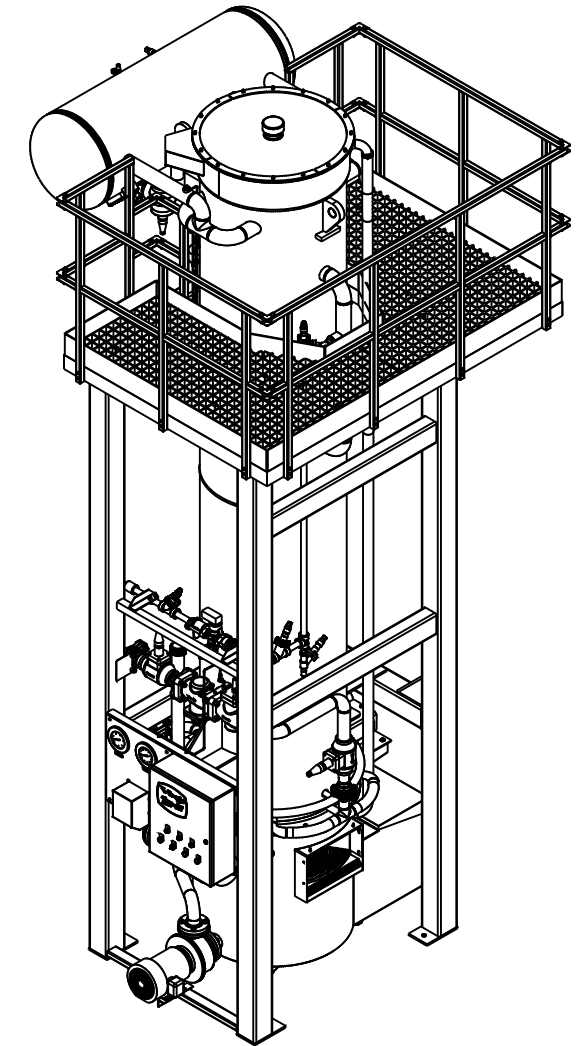
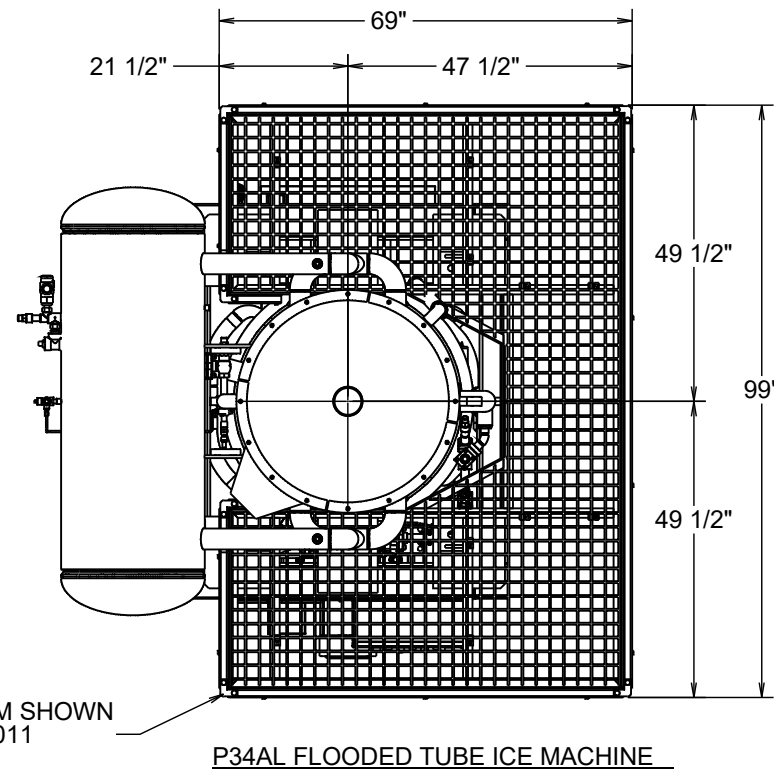
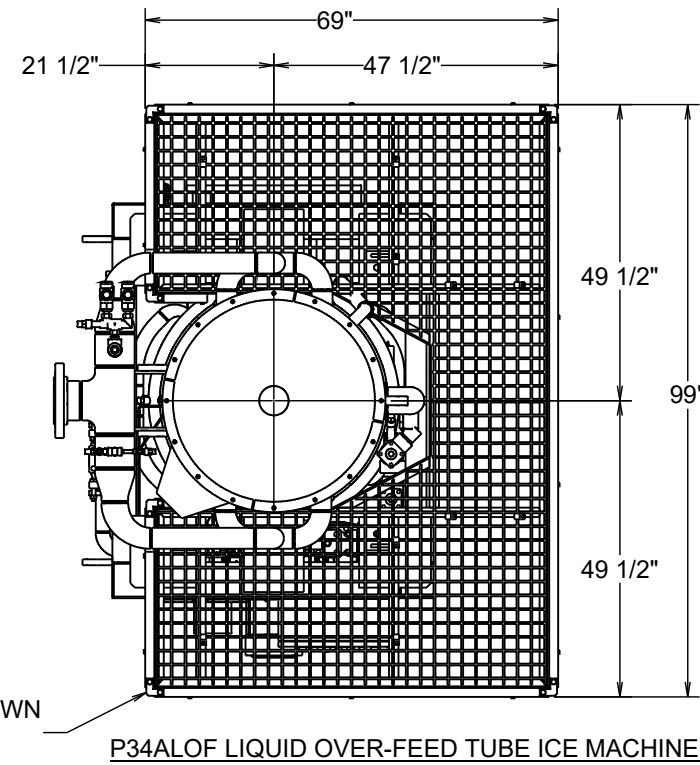


P34 PLATFORM MOUNTING PLATE LOCATIONS

- MOUNTING HARDWARE REQUIRED:**
 (4) 12A2215M1123, 3/4-10 X 2 1/4 LG. S.S. CAP SCREW
 (4) 12A2250A114, 3/4 S.S. CUT WASHER
 (4) 12A2240A1114, 3/4-10 S.S. HEX NUT



NOTE:
 PLATFORM IS UNIVERSAL AND WILL FIT BOTH P34 FLOODED AND LIQUID OVER-FEED TUBE ICE MACHINES.

THIS DRAWING CONTAINS VOGT ICE LLC CONFIDENTIAL & PROPRIETARY INFORMATION AND CANNOT BE REPRODUCED, COPIED, OR DISCLOSED IN WHOLE OR IN PART EXCEPT BY VOGT ICE EXPRESSLY STATED IN ANY WRITTEN AGREEMENT. VOGT ICE DISCLAIMS THE WARRANTIES OF MERCHANTABILITY & FITNESS AND DISCLAIMS.
© 2020 VOGT ICE LLC ALL RIGHTS RESERVED AS AN UNPUBLISHED WORK

DWN. BY LOGSDON
 CKD. BY
 RLSD. BY
 DATE 12/16/05
 SCALE NONE

| REV. | DATE | DESCRIPTION | BY |
|------|------------|---------------------------------------|------|
| A | 11/23/2020 | LOF ARRANGEMENT ADDED; FORMAT UPDATED | PECK |

Vogt. VOGT ICE LLC
 1000 WEST ORMSBY AVE
 LOUISVILLE, KY 40210
 TEL: 502.635.3000
 FAX: 502.634.0479
 www.vogtice.com

Tube Ice | Turbo

P34 LOWSIDE PLATFORM TO MACHINE MOUNTING PARTS

PART NO. 12A1600GL3406
 DRG. NO. 81748

SHEET 1 OF 1 REV A