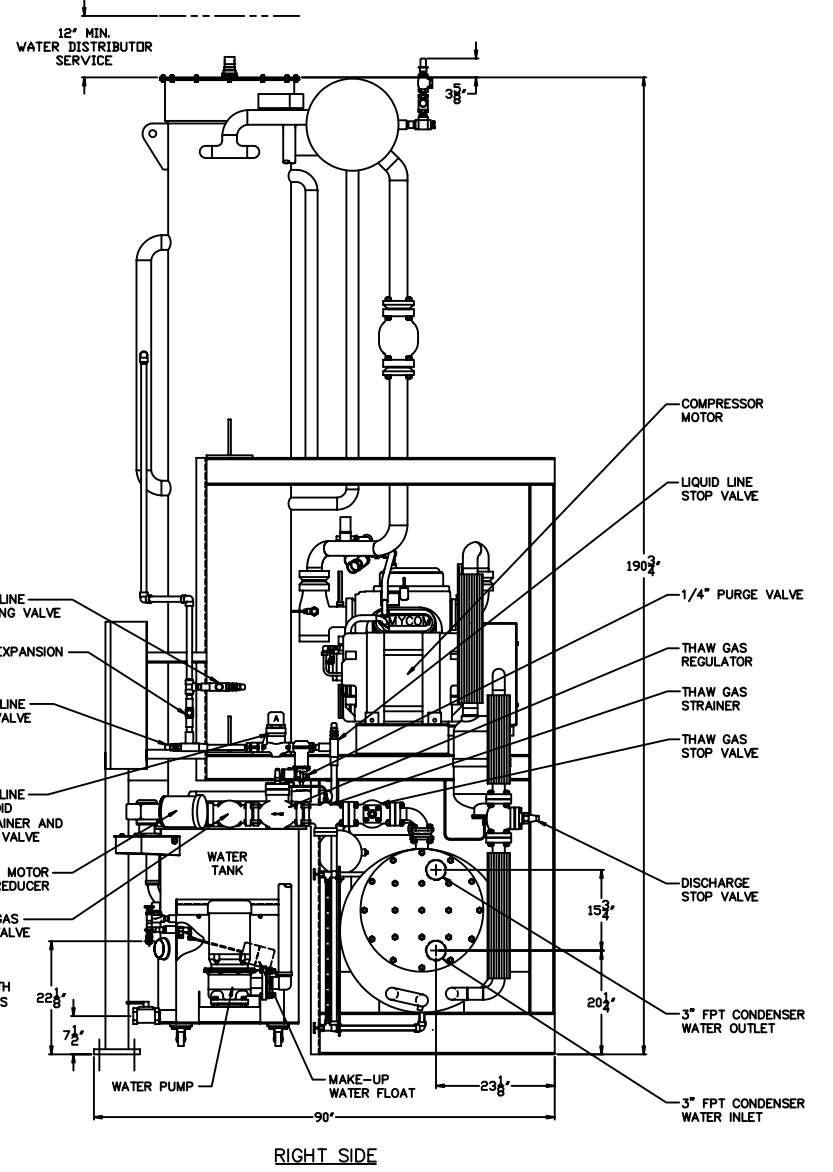
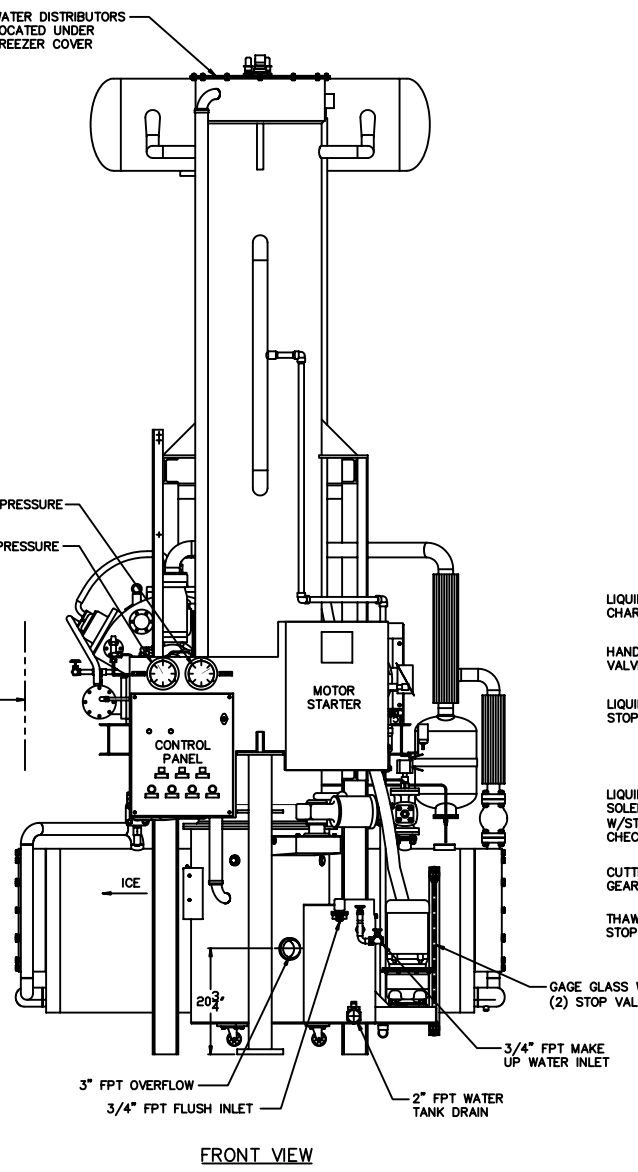
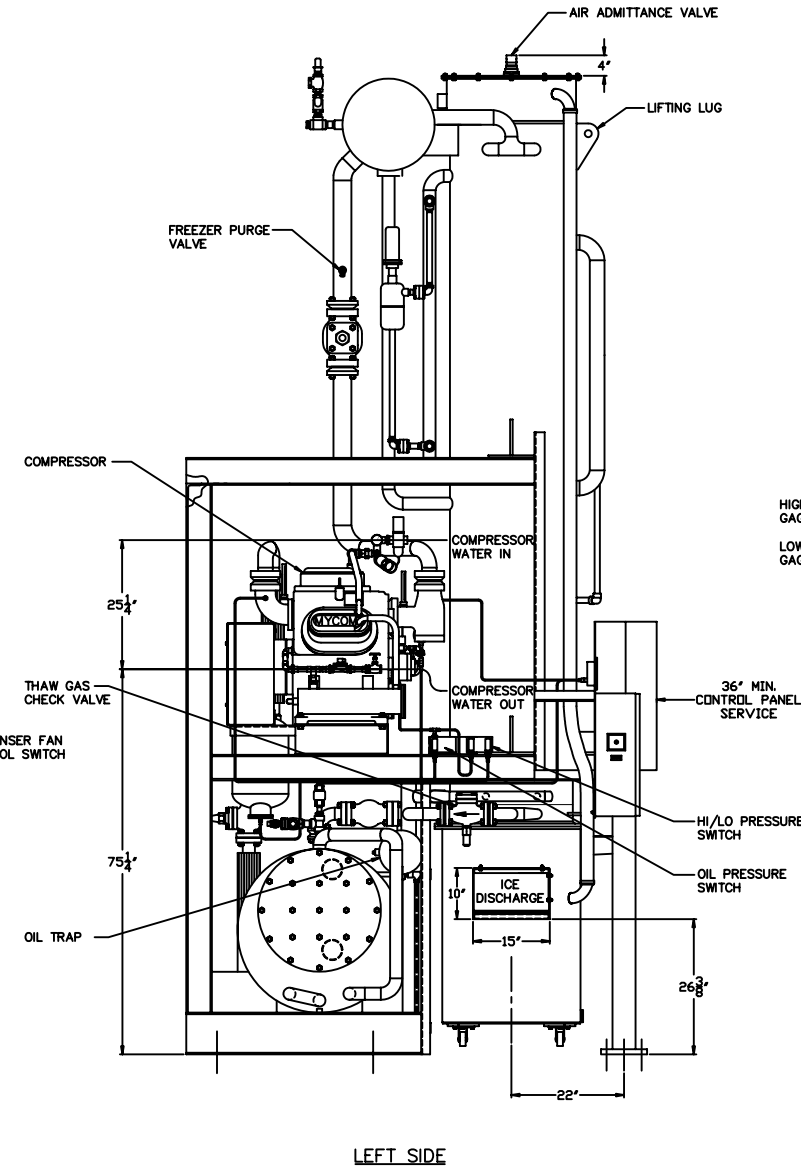
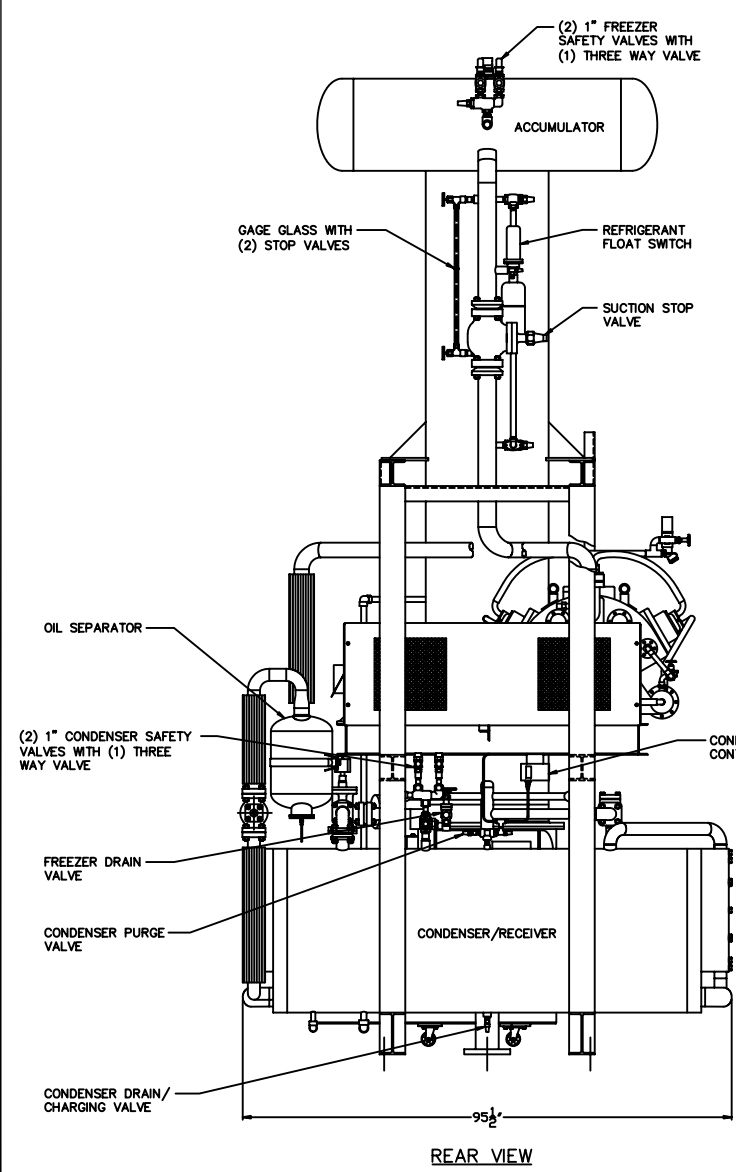
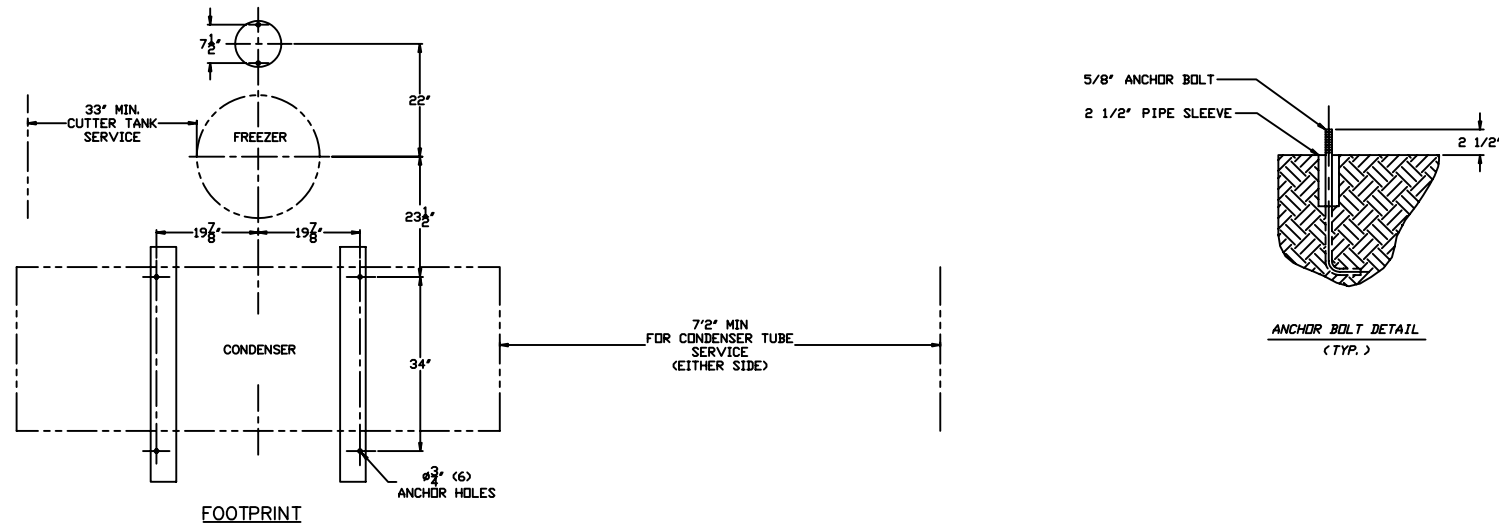


REVISION RECORD				
NO	DATE	FROM	TO	BY



This drawing contains TRADE SECRET information and cannot be used, reproduced or disclosed in whole or in part, except with the express written permission of TUBE ICE, LLC.

Except as expressly stated in any written contract, all warranties, including the warranties of MERCHANTABILITY and FITNESS, ARE DISCLAIMED.

© 2000 TUBE ICE, LLC. All rights reserved. All an unpublished work.

DWN. BY	LOGSDON	<p>TUBE ICE, LLC 1000 W. ORMSBY AVE., LOUISVILLE, KY. 40210</p> <p>CUSTOMER ASSEMBLY FOR P24A TUBE-ICE MACHINE WITH MYCOM COMPRESSOR</p>
CKD. BY		
FLSD. BY		
DATE	06/01/05	
SCALE	NONE	

DRG. NO. 81729