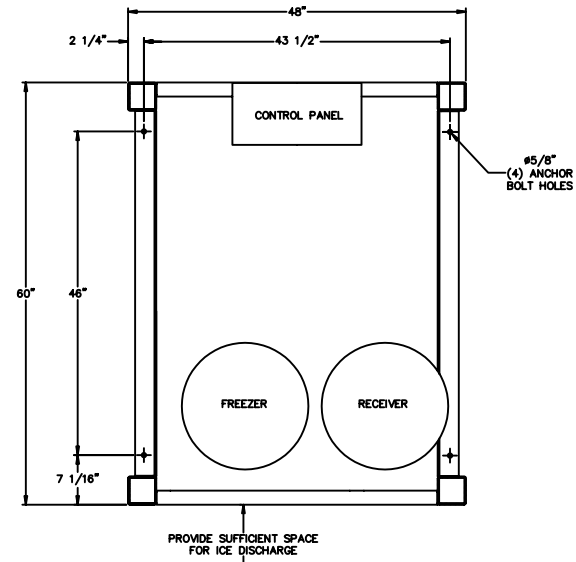
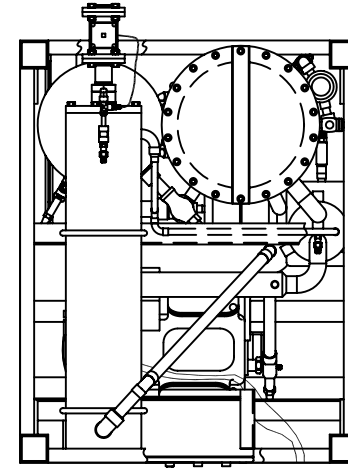


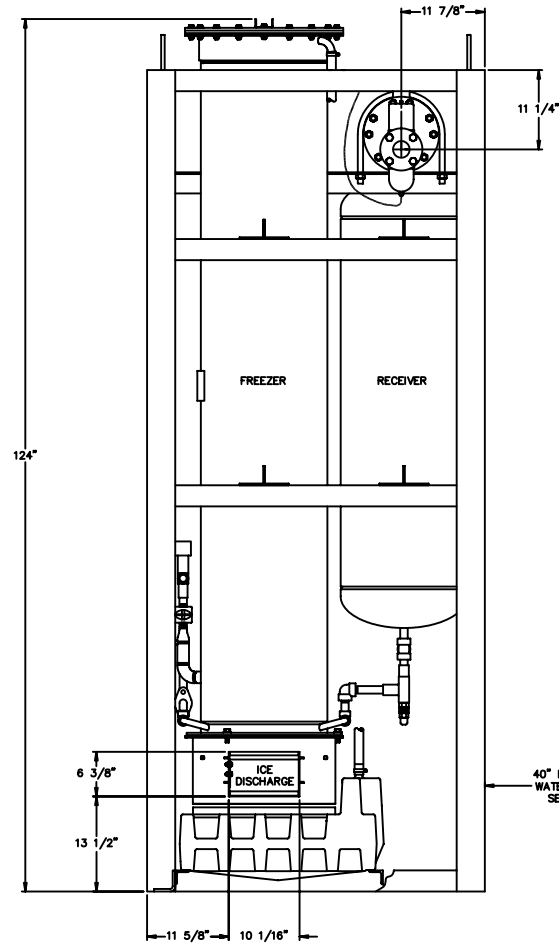
REVISION RECORD				
NO	DATE	FROM	TO	BY CK



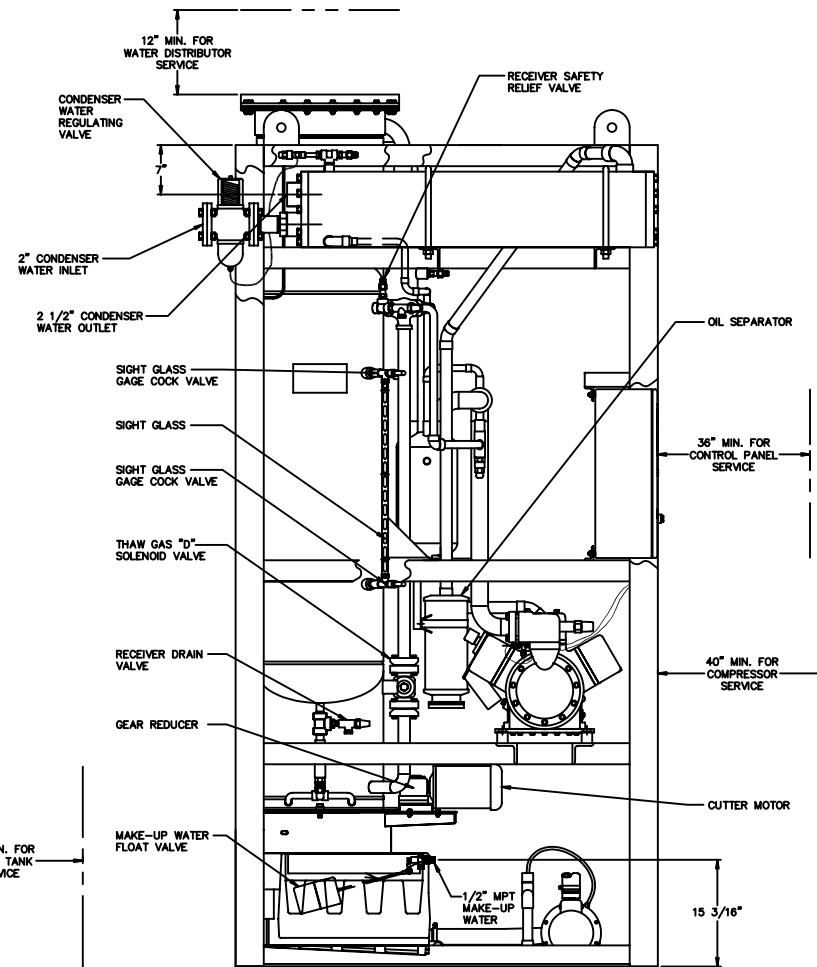
FOOTPRINT



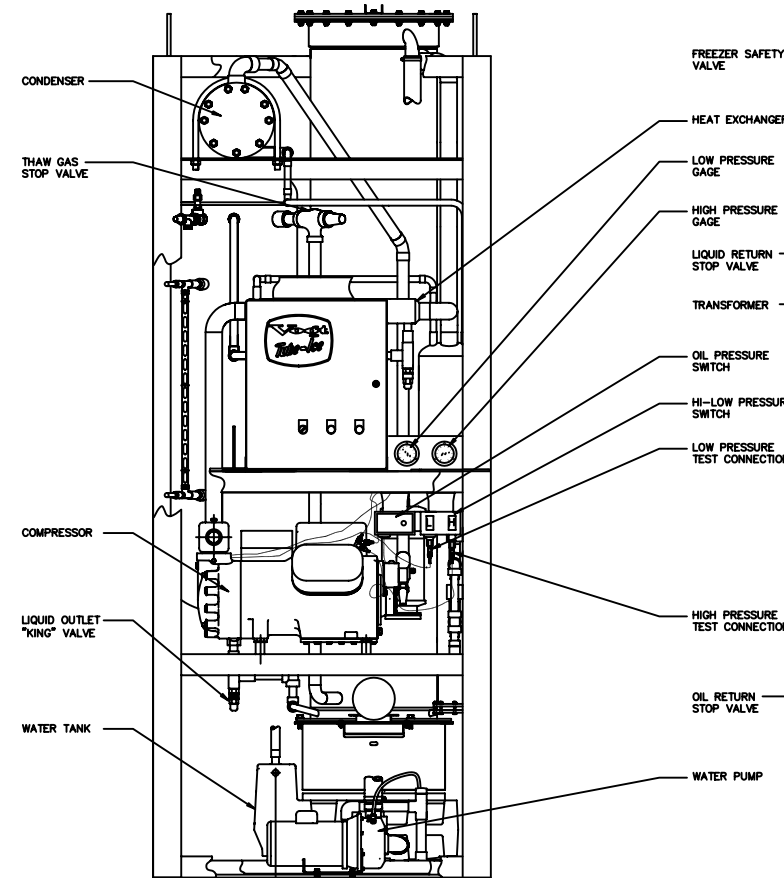
PLAN



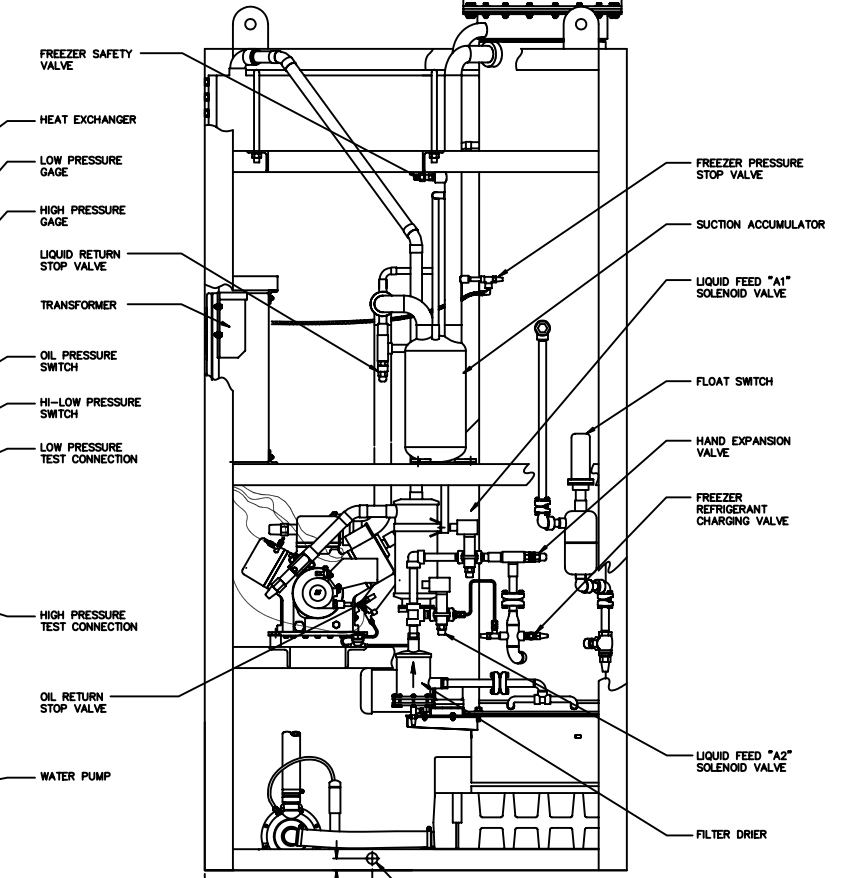
REAR



LEFT SIDE



FRONT



RIGHT SIDE

This drawing contains TUBE ICE, LLC confidential and proprietary information and cannot be reproduced or disclosed in whole or in part, except with the express written permission of TUBE ICE, LLC. Except as expressly stated in any written contract, ALL WARRANTIES RELATIVE TO THIS DRAWING, INCLUDING THE WARRANTIES OF ACCURACY AND FITNESS, ARE DISCLAIMED.

DWN. BY LOGSDON
 CKD. BY _____
 RLSD. BY _____
 DATE 05/31/05
 SCALE NONE

TUBE ICE, LLC
 1000 W. ORMSBY AVE., LOUISVILLE, KY, 40210
10TA WATER COOLED CUSTOMER ASSEMBLY
 PART NO. CUSTOMER ASSEMBLY
 DRG. NO. 81725 SHEET 1 OF 1 D