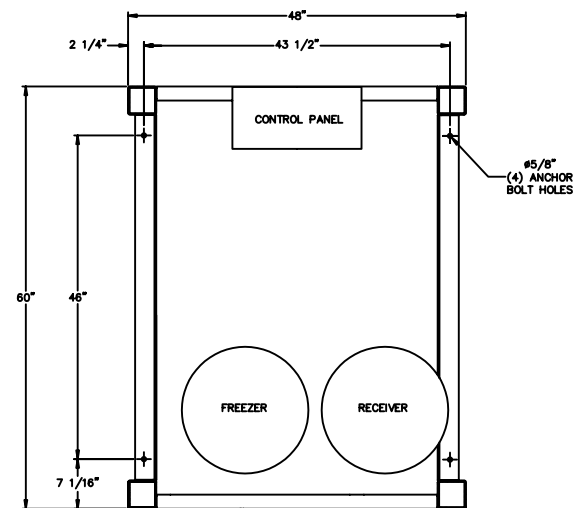
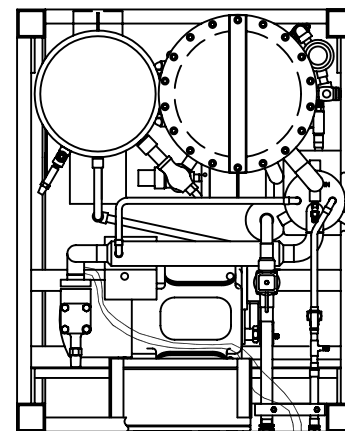


REVISION RECORD				
NO	DATE	FROM	TO	BY CK



PROVIDE SUFFICIENT SPACE FOR ICE DISCHARGE

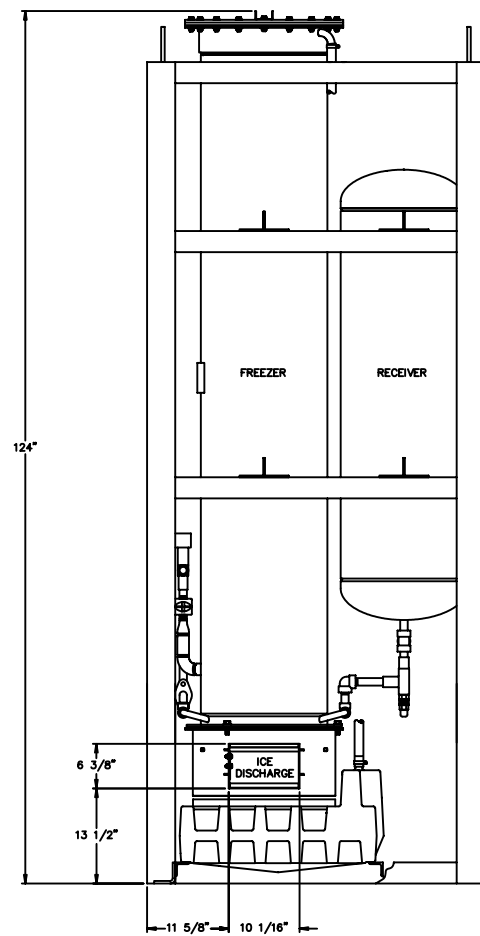
FOOTPRINT



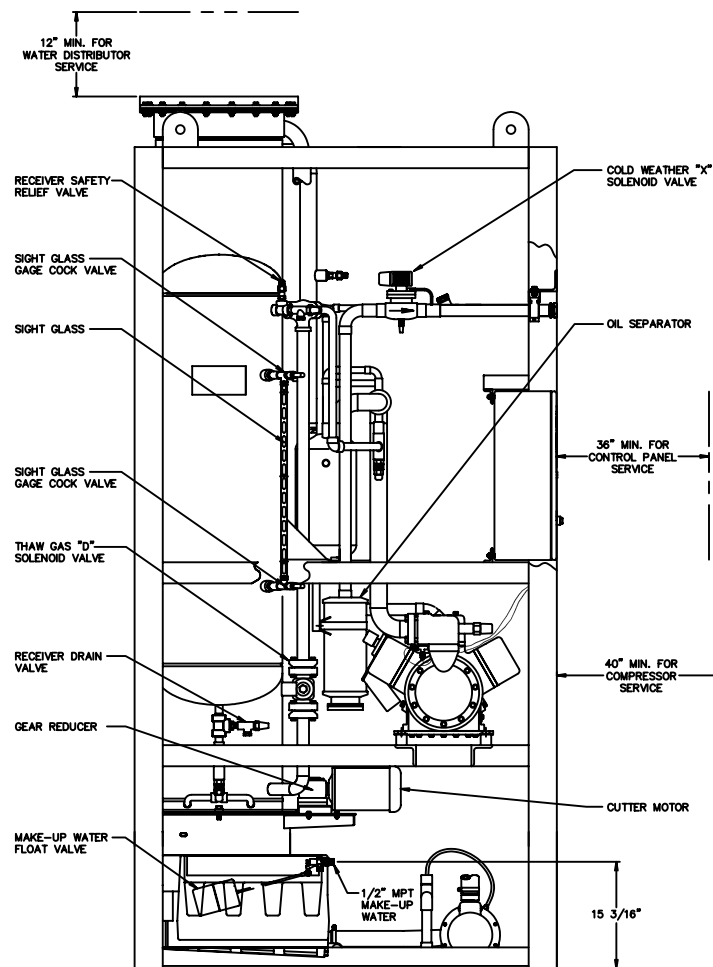
PLAN

LIQUID RETURN FROM COMPRESSOR  
1 1/4"-12 THRS X 1 1/8" IDS  
ROTALOCK CONNECTION

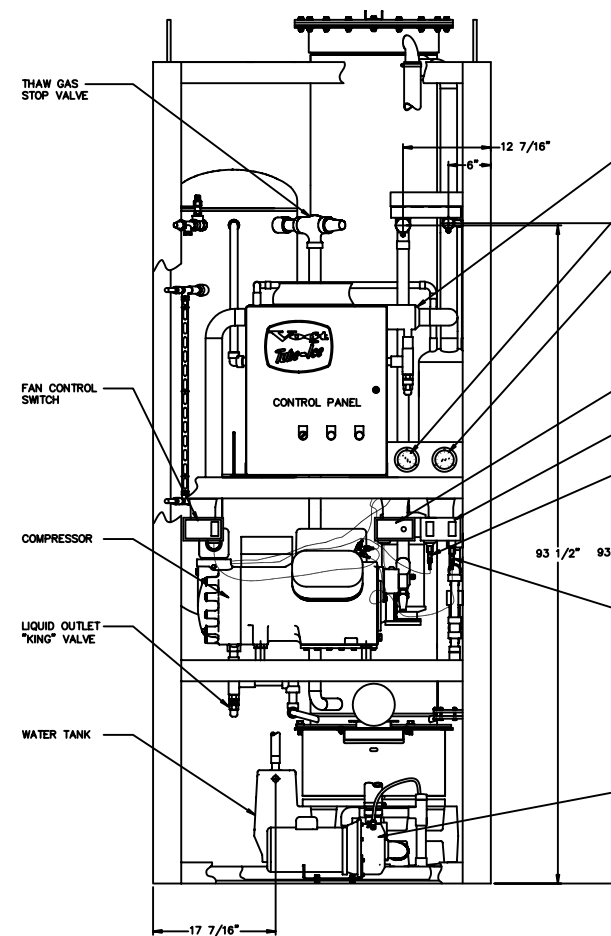
DISCHARGE TO COMPRESSOR  
1 3/4"-12 THRS X 1 3/8" IDS  
ROTALOCK CONNECTION



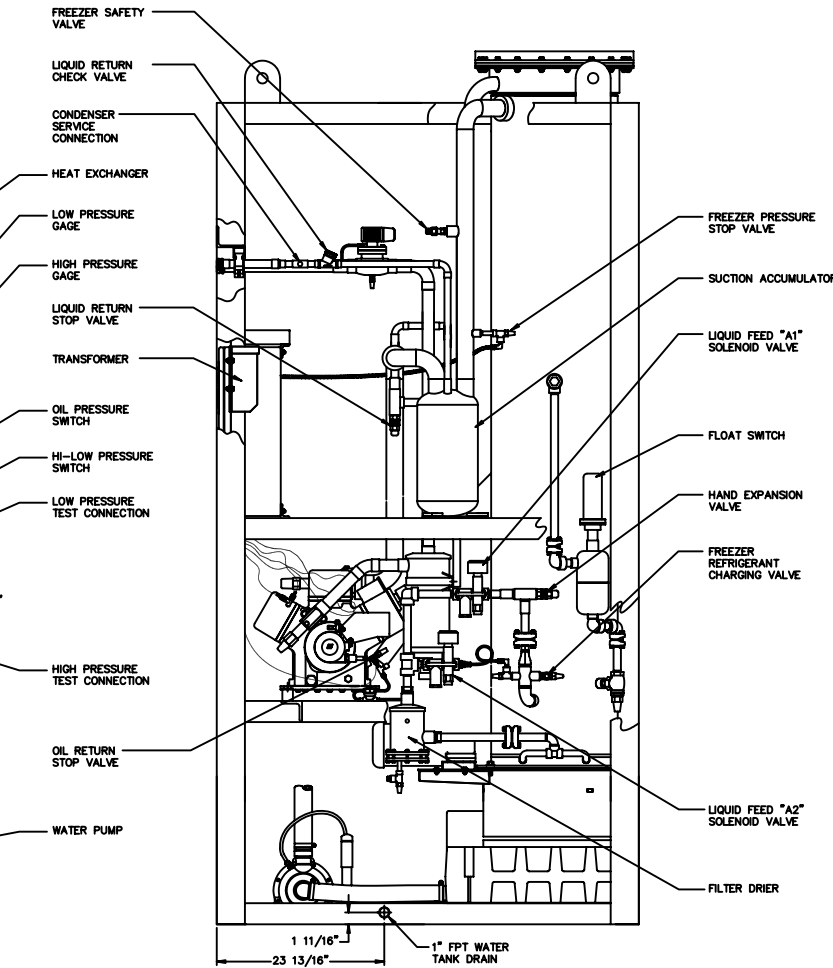
REAR



LEFT SIDE



FRONT



RIGHT SIDE

This drawing contains TUBE ICE, LLC confidential and proprietary information and cannot be used, distributed or disclosed in whole or in part, except with the express written permission of TUBE ICE, LLC.

Except as expressly stated in any written contract, ALL WARRANTIES RELATIVE TO THIS DRAWING, INCLUDING THE WARRANTIES OF ACCURACY AND FITNESS, ARE DISCLAIMED.

© 2004 TUBE ICE, LLC all rights reserved. It is unpatented work.

DWN. BY LOGSDON	<p>1000 W. ORMSBY AVE., LOUISVILLE, KY, 40210</p> <p><b>10TA AIR COOLED CUSTOMER ASSEMBLY</b></p> <p>PART NO. CUSTOMER ASSEMBLY</p> <p>DRG. NO. 81724</p>
CKD. BY	
RLSD. BY	
DATE 05/27/05	
SCALE NONE	
SHEET 1 OF 1 D	