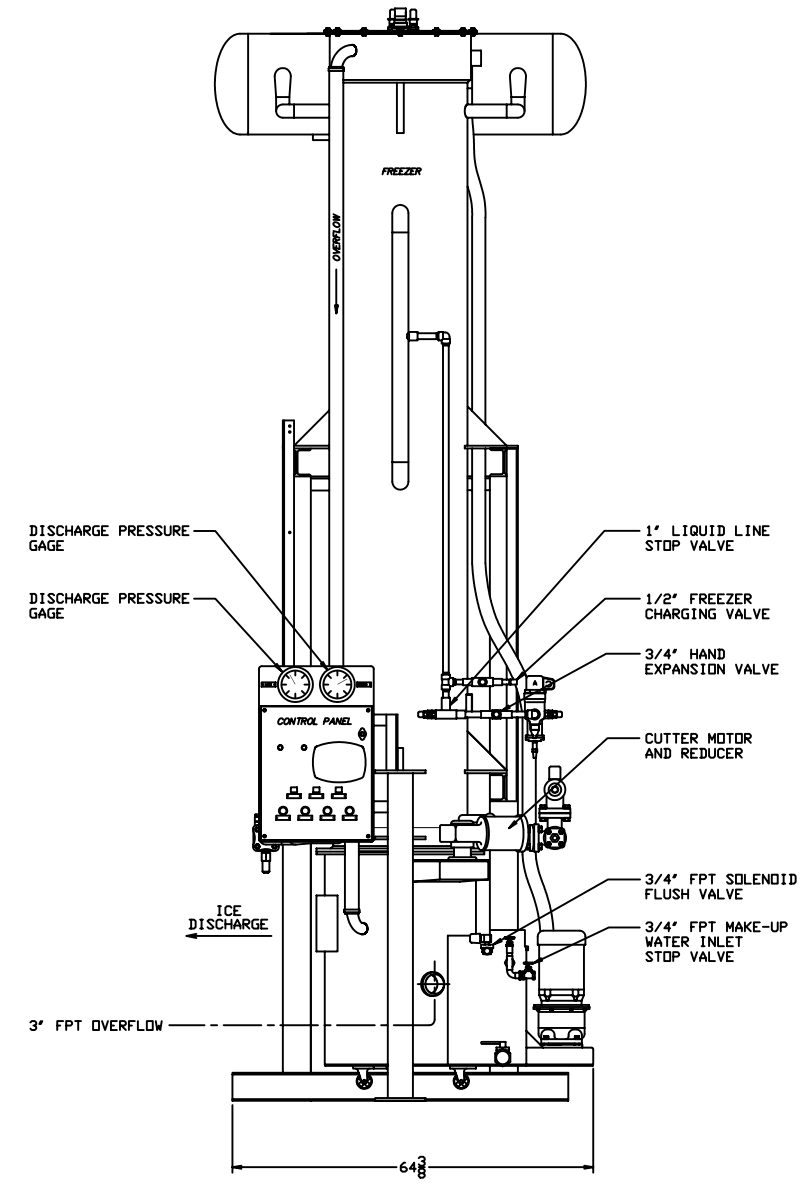
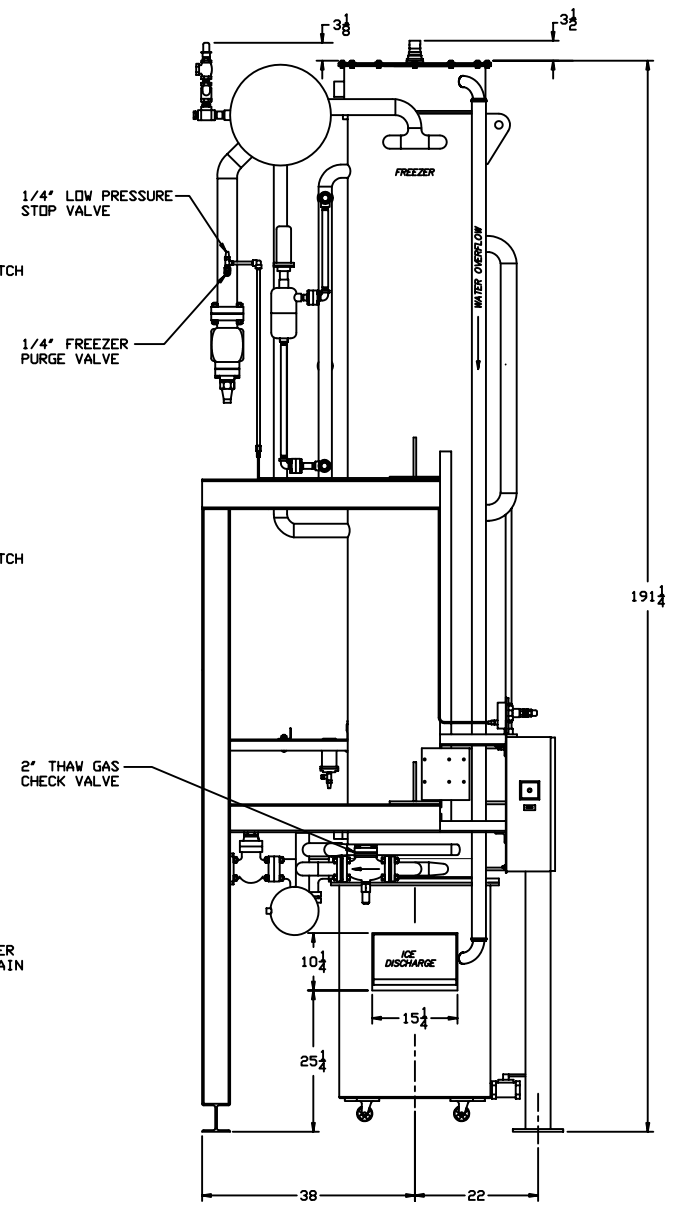
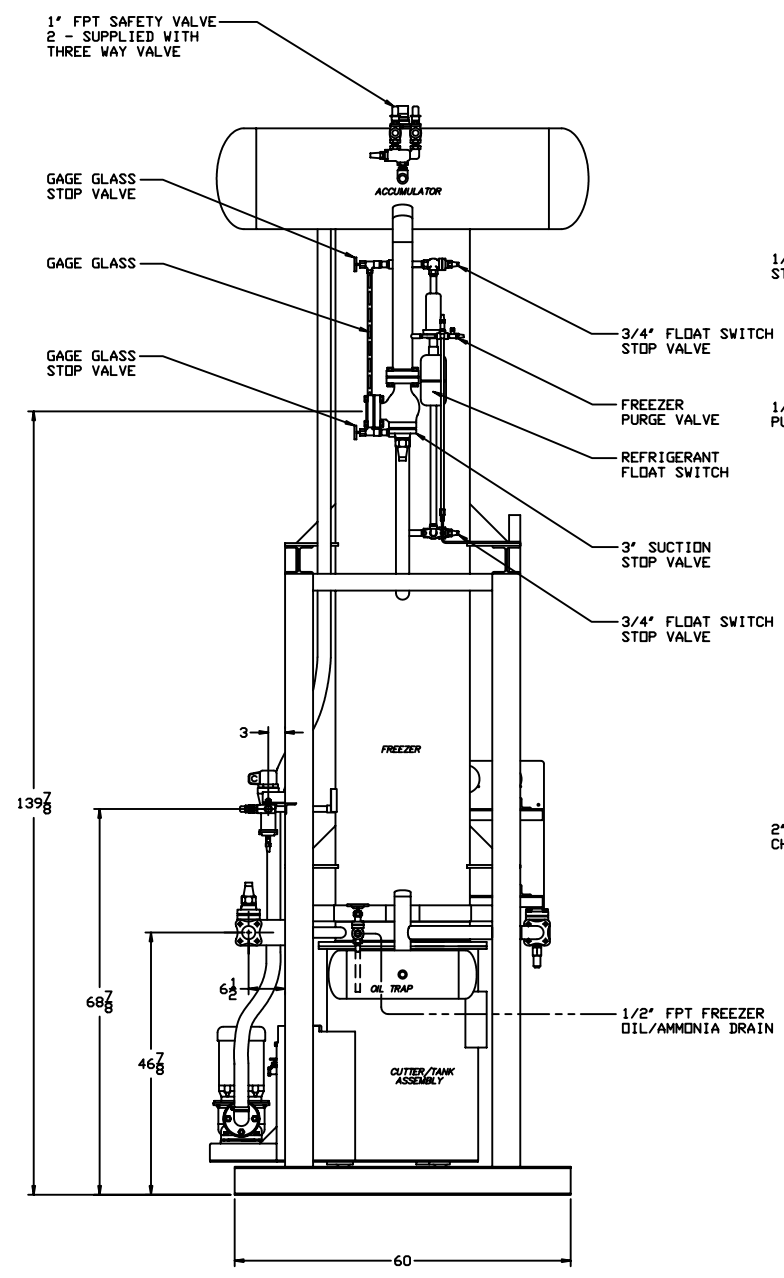
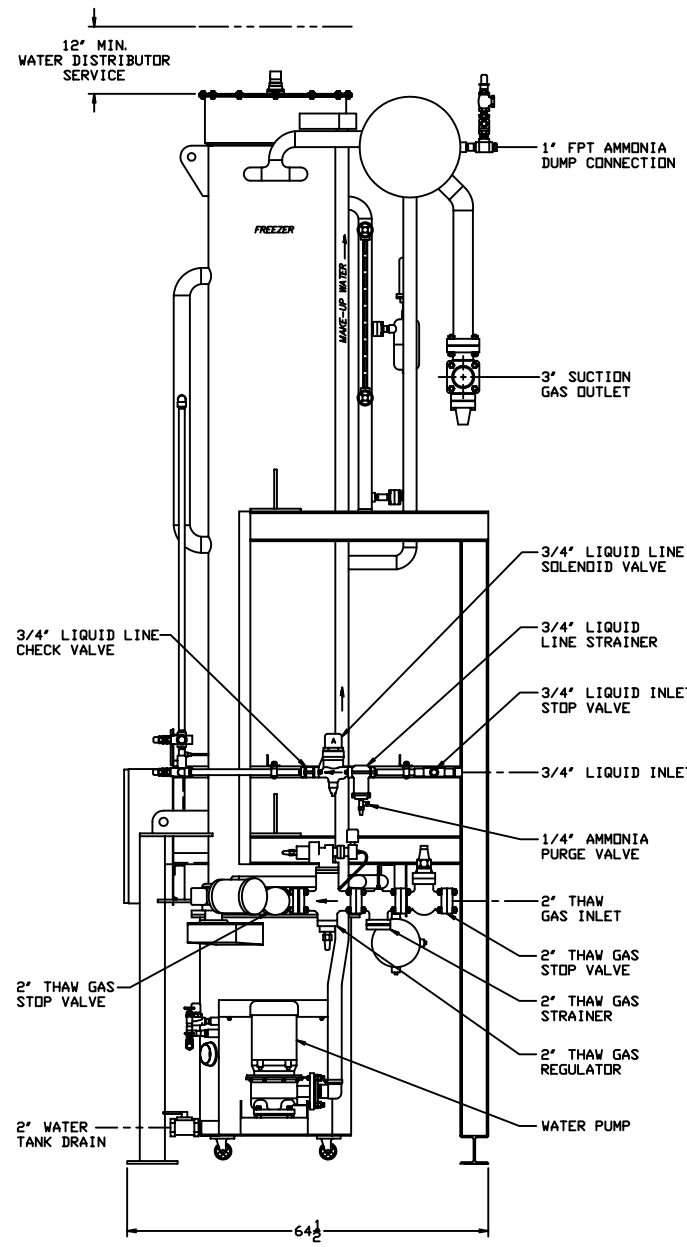
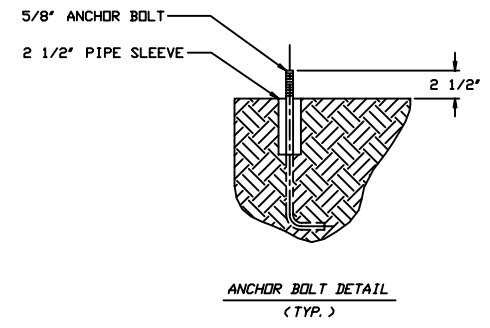
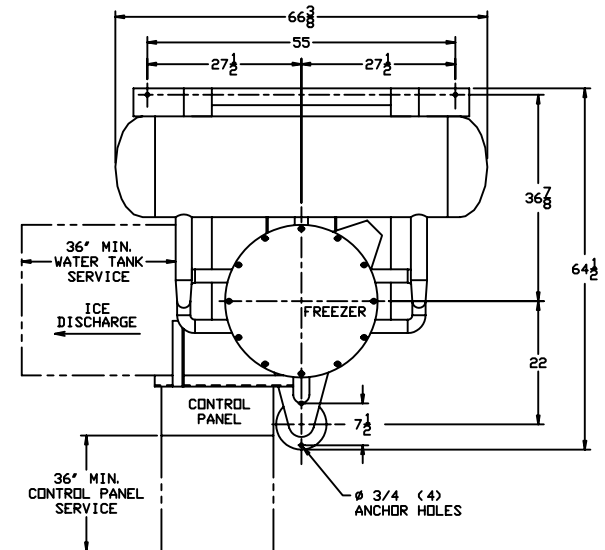


REVISION RECORD				
NO	DATE	FROM	TO	BY/CK



This drawing contains TUBE ICE, LLC confidential and proprietary information and cannot be used, modified or disclosed in whole or in part, except with the express written permission of TUBE ICE, LLC.
 Except as expressly stated in any written contract, ALL WARRANTIES ARE MADE TO THE DRAWING, INCLUDING THE WARRANTIES OF MERCHANTABILITY AND FITNESS, ARE DISCLAIMED.
 © 2000 TUBE ICE, LLC all rights reserved or an unpublished work.

DWN. BY	LOGSDON	<p>1000 W. ORMSBY AVE., LOUISVILLE, KY. 40210</p> <p>CUSTOMER DRAWING FOR P24AL TIM</p>
CKD. BY		
FLSD. BY		
DATE	05/25/05	
SCALE	NONE	
DWG. 81721		