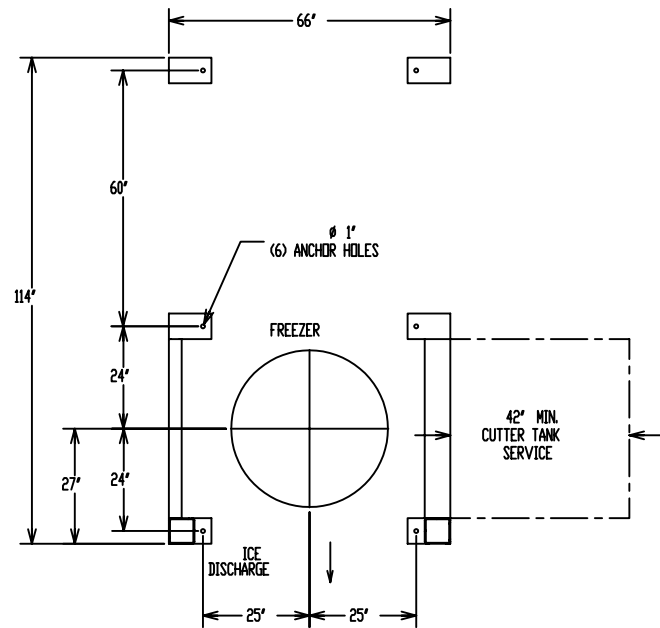
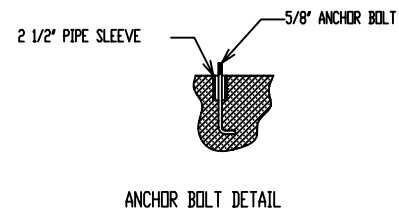


REVISION RECORD					
NO	DATE	FROM	TO	BY	CK

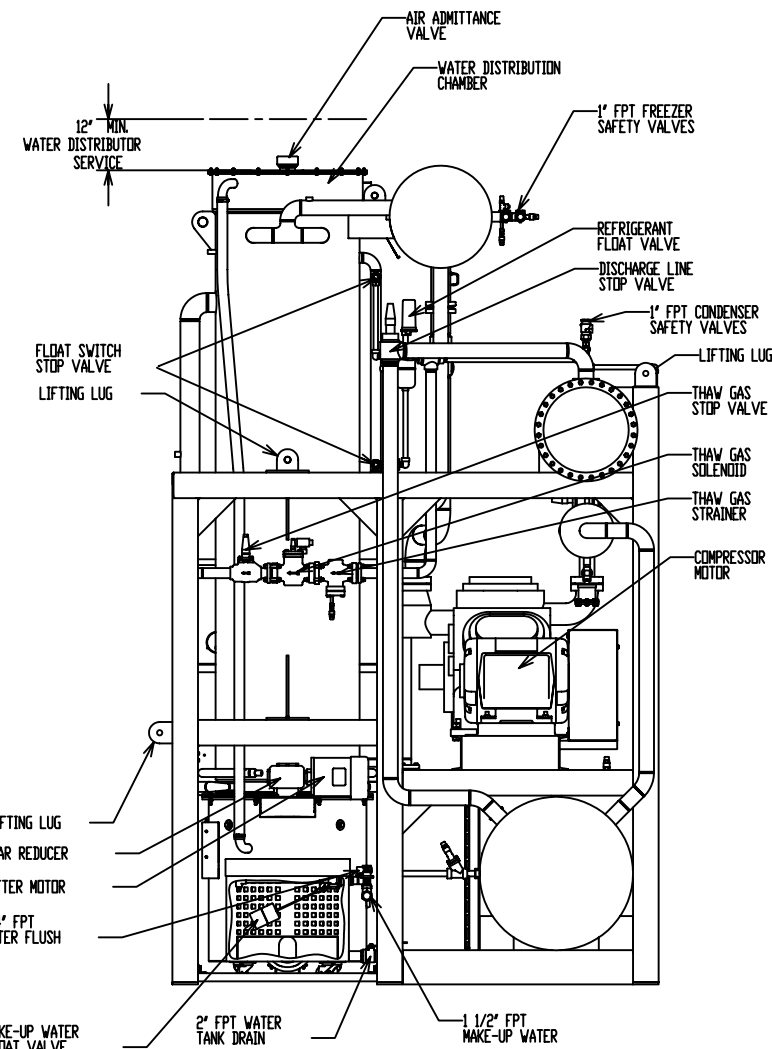
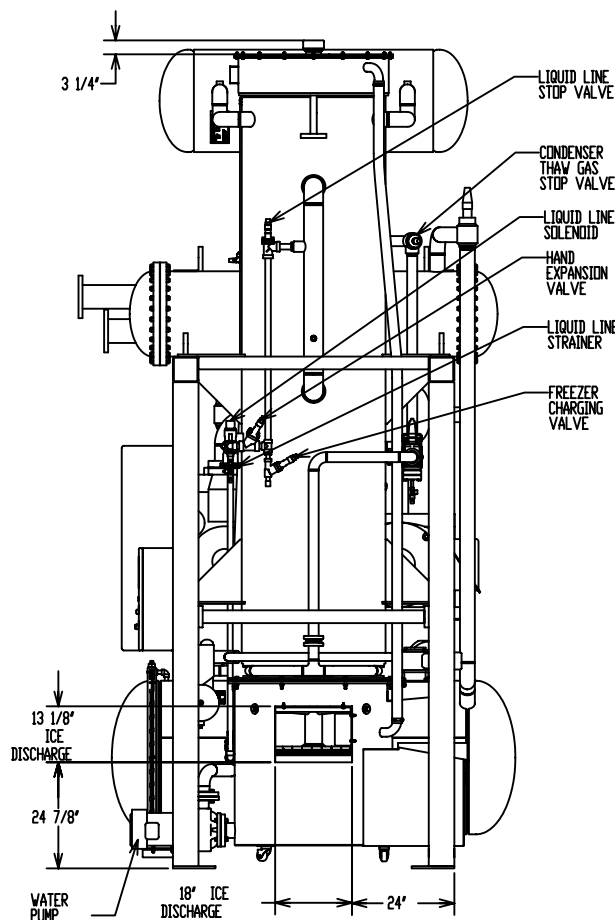
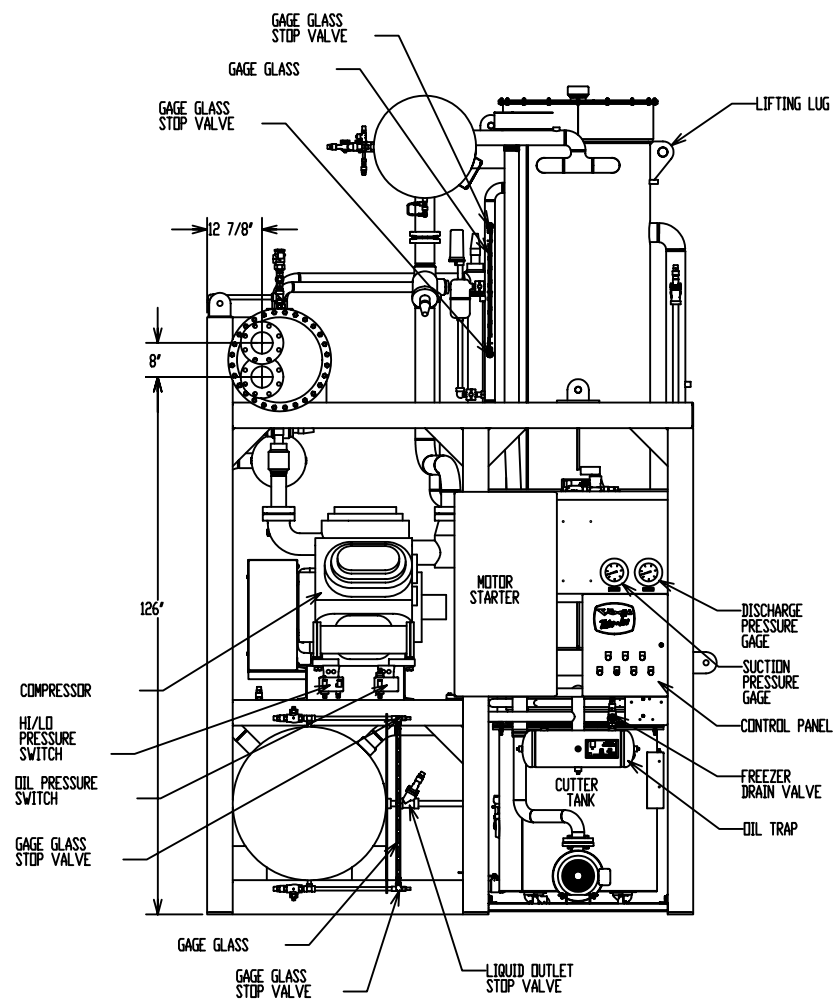
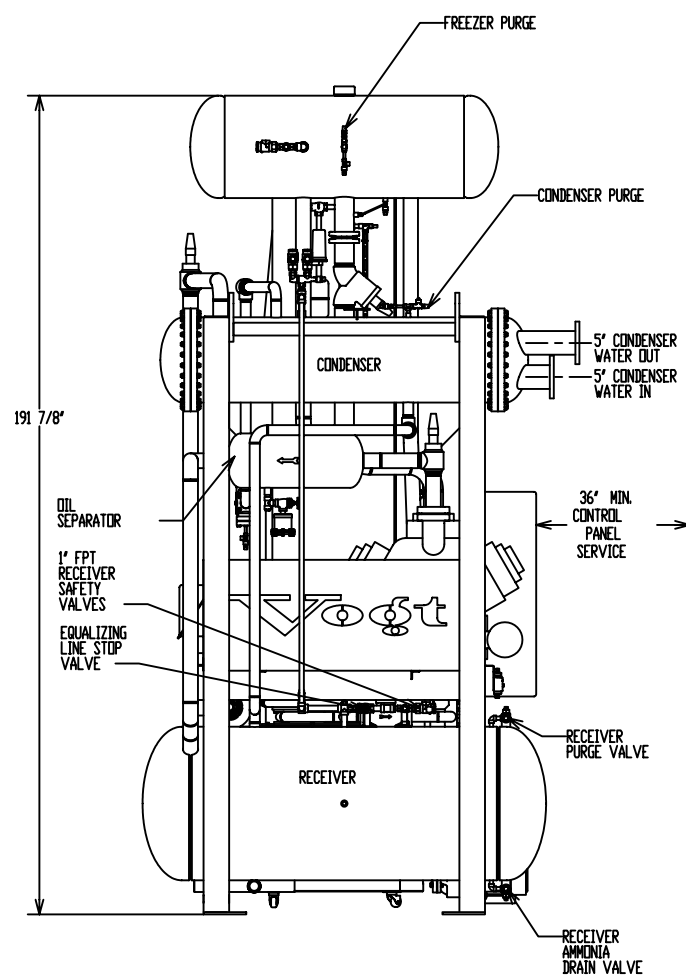
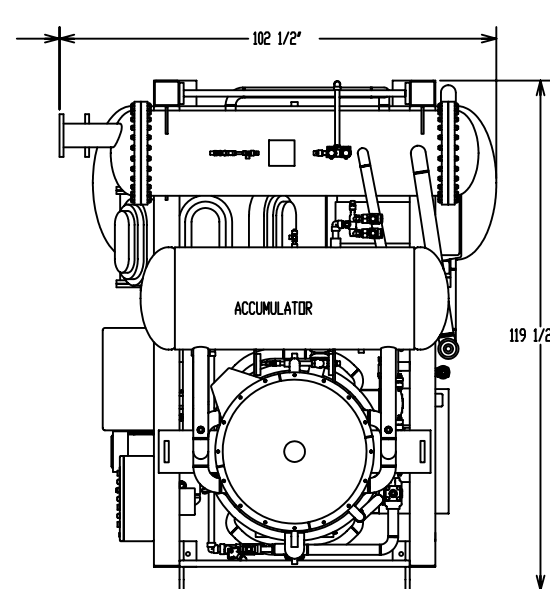


FOOTPRINT



ANCHOR BOLT DETAIL

52 7/8" MIN FOR CONDENSER TUBE SERVICE



DRAWN BY	LESSON	<p>Vogt TUBE ICE, LLC 1000 W. ORMSBY AVE., LOUISVILLE, KY. 40210</p>
CHKD. BY		
RLSD. BY		
DATE	06/22/05	
SCALE	NONE	
<p>P34A TUBE ICE MACHINE ASSEMBLY (CARBON STEEL)</p>		<p>CUSTOMER DRAWING DRG. NO. 81703</p>
<p>SHEET 1 OF 1</p>		