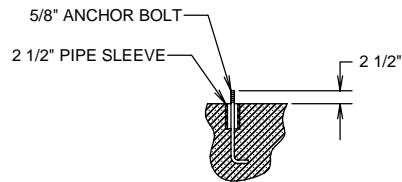
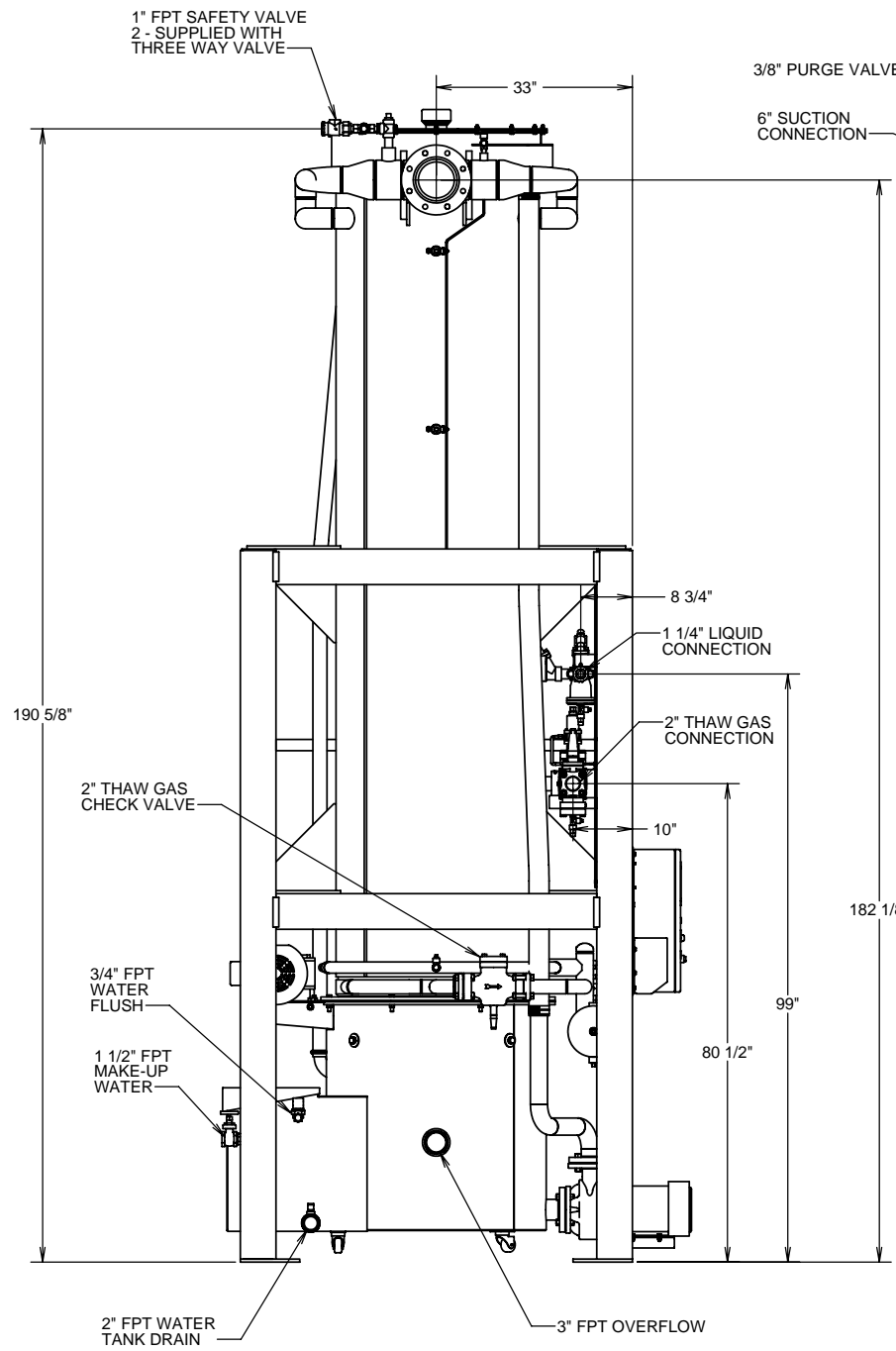


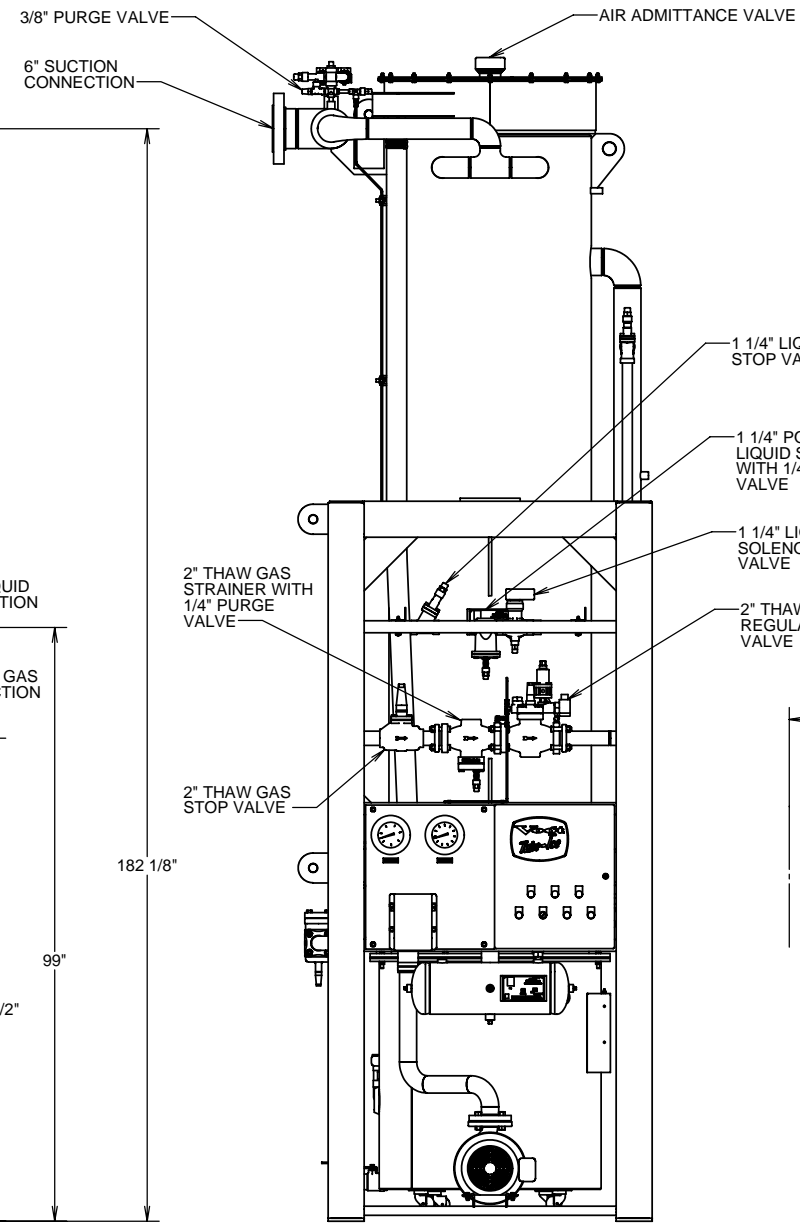
REVISION RECORD					
NO	DATE	FROM	TO	BY	CK



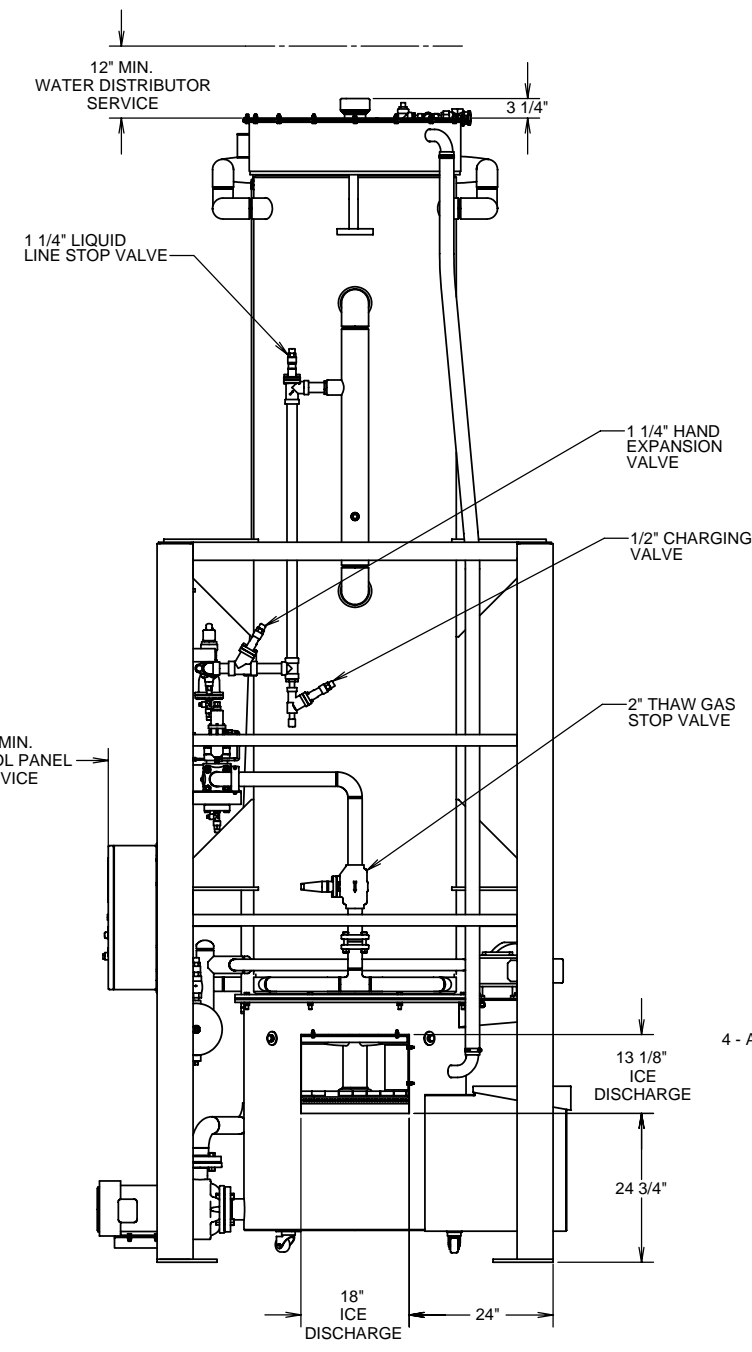
ANCHOR BOLT DETAIL



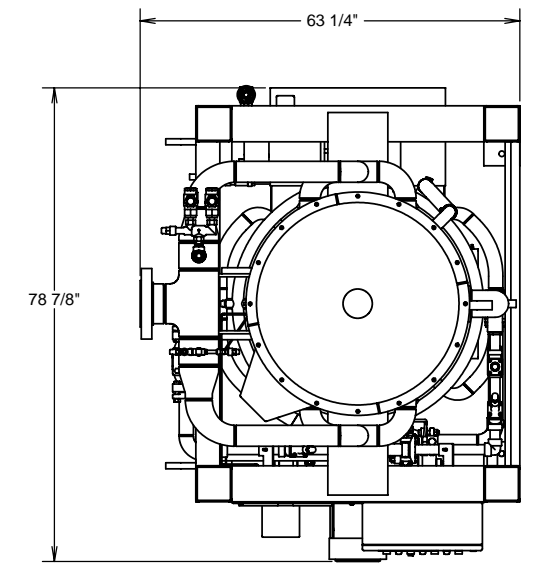
LEFT SIDE



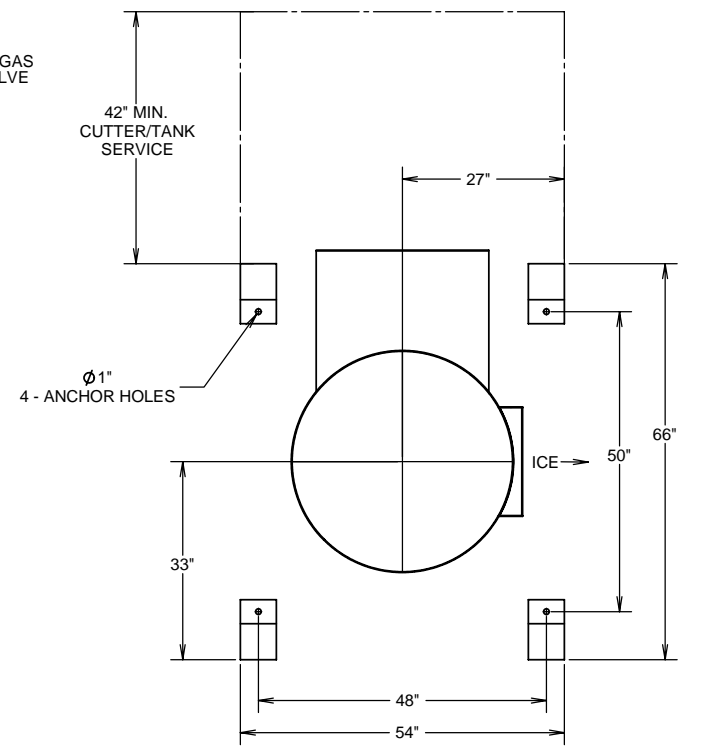
FRONT ELEVATION



RIGHT SIDE



PLAN



FOUNDATION PLAN

This drawing contains TUBE ICE, LLC confidential and proprietary information and should be used, distributed, or disclosed in whole or in part, except with the express written permission of TUBE ICE, LLC.
 TUBE ICE, LLC reserves the right to modify this drawing without notice. ALL DIMENSIONS ARE UNLESS OTHERWISE SPECIFIED.
 © 2010 TUBE ICE, LLC. All rights reserved as an invention and trade secret.

DWN. BY	LOGSDON	<p>1000 W. CRIMSBY AVE., LOUISVILLE, KY, 40210</p> <p>P34ALOF TUBE ICE MACHINE ALL TUBE SIZES (CARBON STEEL CONSTRUCTION)</p> <p>CUSTOMER DRAWING DRG. NO. 81667</p>
CKD. BY		
RLSD. BY		
DATE	11/27/04	
SCALE	NONE	
SHEET 1 OF 1		D