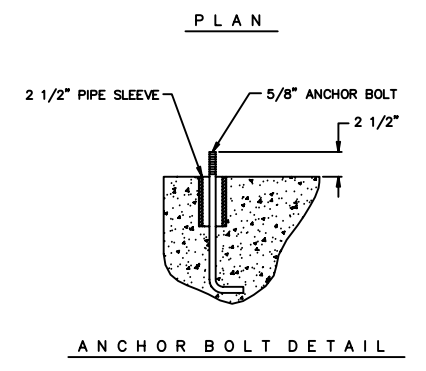
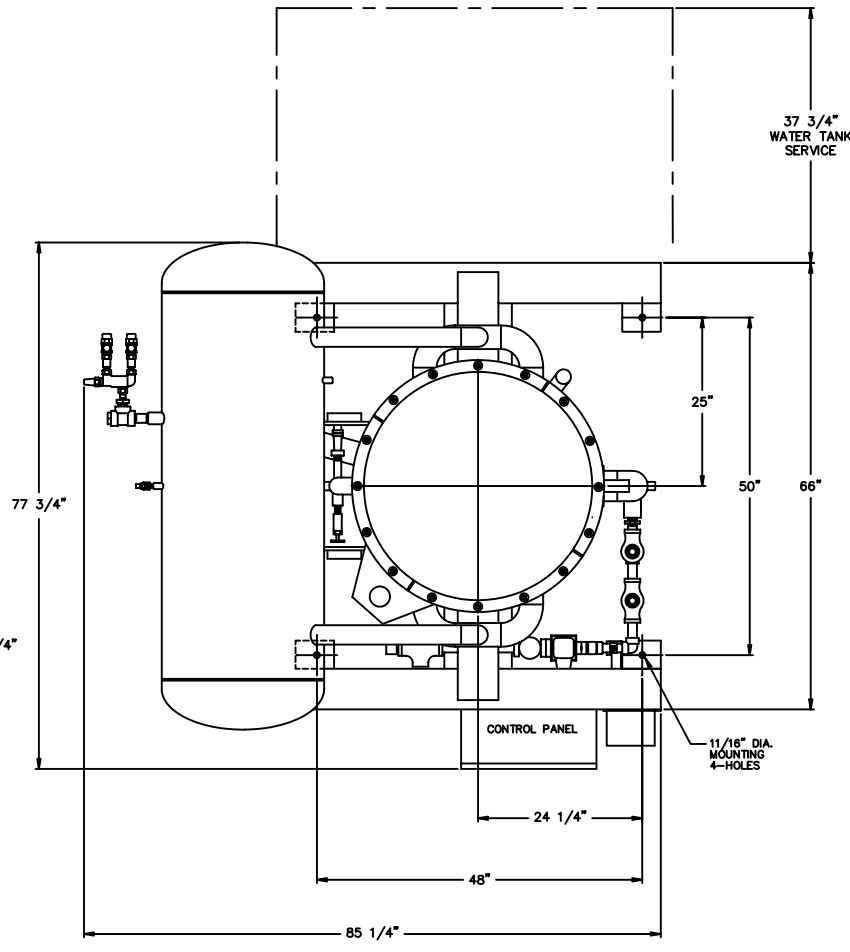
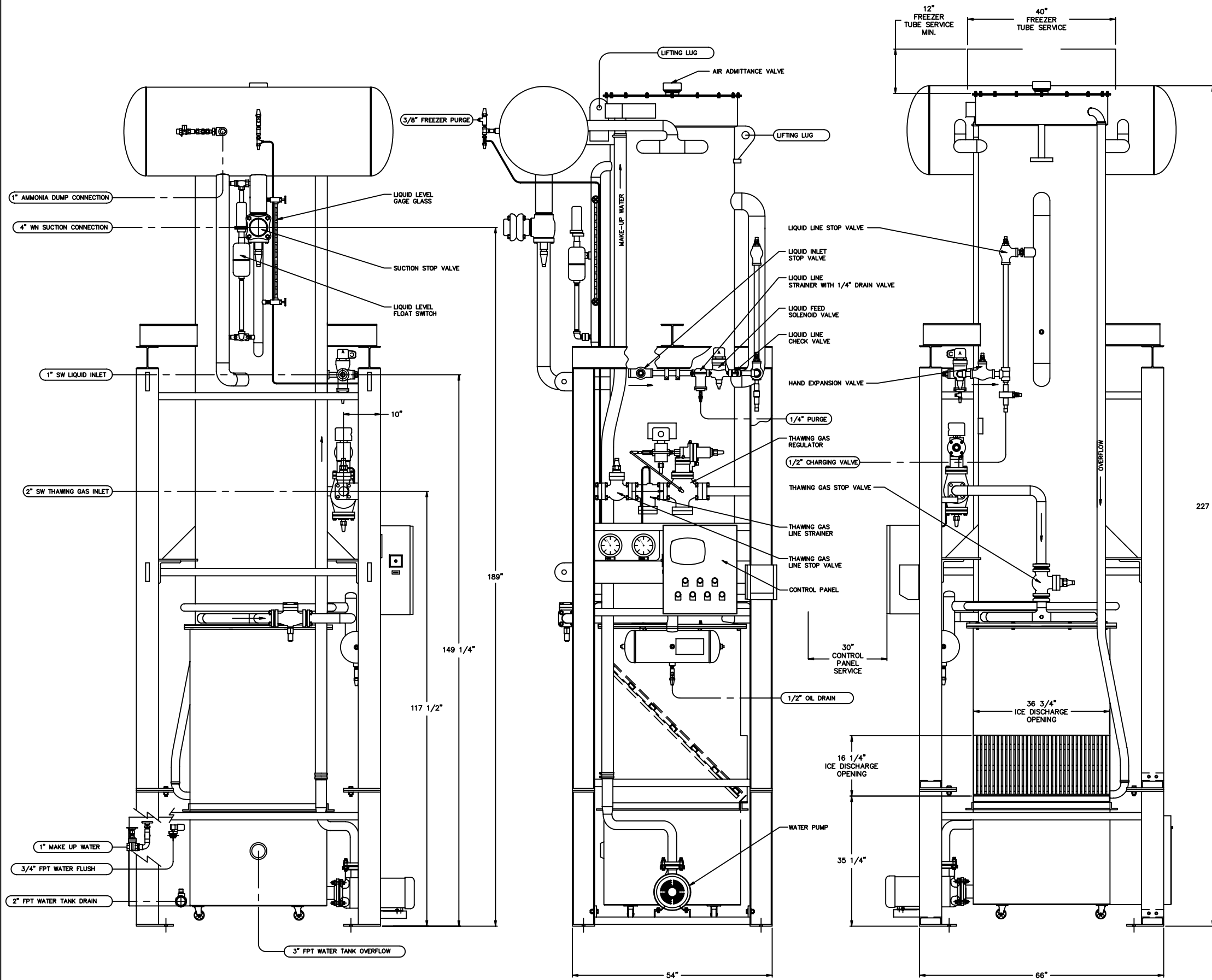


REVISION RECORD				
NO	DATE	FROM	TO	BY/CK



LEFT SIDE

FRONT ELEVATION

RIGHT SIDE

This drawing contains TUBE ICE, LLC confidential and proprietary information and cannot be manufactured or disseminated in whole or in part, except with the express written permission of TUBE ICE, LLC. Except as expressly stated in any written contract, ALL WARRANTIES RELATIVE TO THIS DRAWING, INCLUDING THE WARRANTIES OF ACCURACY AND FITNESS, ARE DISCLAIMED.

DWN. BY PECKENPAUGH
 CKD. BY
 RLSD. BY
 DATE 25 FEB 2002
 SCALE NONE

TUBE ICE, LLC
 1000 W. ORMSBY AVE., LOUISVILLE, KY, 40210

P34AL TUBE ICE MACHINE WITH CUTTERLESS TANK ALL TUBE SIZES

CUSTOMER DRAWING
 DRG. NO. 81519

SHEET 1 OF 1 D