



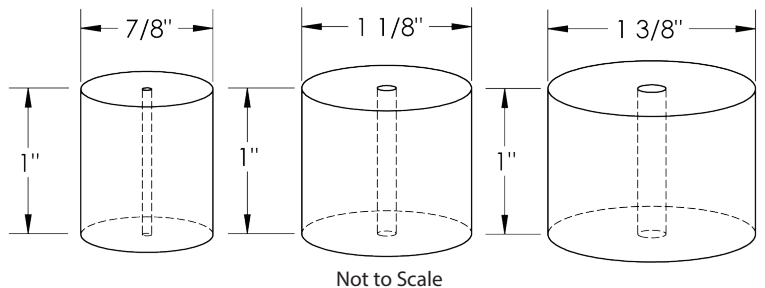
The P24FL Series with a capacity of 25 tons of ice per day is a low-side Tube-Ice machine designed to operate with a dedicated R404a high-side or on a central refrigeration system. The P24FL will provide you with many years of dependable service.

Heavy-duty industrial construction, automatic operation, energy efficiency and the best warranty in the business make Vogt Tube-Ice machines the only "clear" choice for your ice making needs.

P24FL Standard Features:

- ★ 25 Year Evaporator Warranty
- ★ Up to 25 tons of ice per day
- ★ Voltage - 230v.,3p.,60hz.
- ★ Control Voltage - 230v.,1p.,60hz
- ★ UL 508A Industrial Control Panel
- ★ Manufactured in accordance with A.S.M.E. code
- ★ Standard ice length 1"

P24FL Tube-Ice Available in Three Ice Sizes:



P24FL Options:

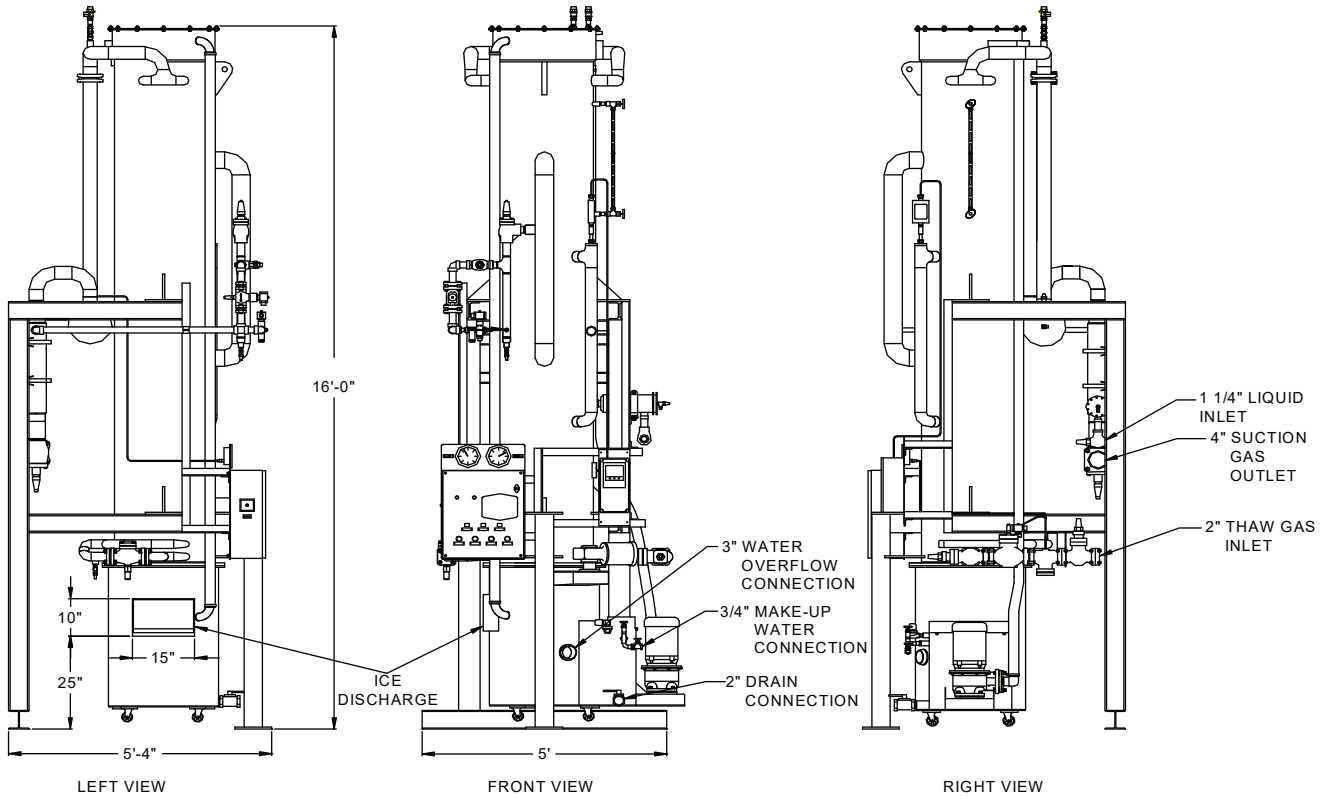
- ★ Voltage - 460 v.,3p.,60hz.
- ★ Voltage - 400v.,3p.,50hz.
- ★ Voltage - 575v.,3p.,60hz.
- ★ 120v Controls
- ★ PLC Control panel (programmable logic controller)
- ★ Power monitor
- ★ Cutter for 1-1/2" long ice
- ★ Cutter for crushed ice
- ★ Cutterless option
- ★ All stainless steel
- ★ "CE" Approval (400v, 50hz only)
- ★ Canadian Registration Number (CRN)
- ★ R22 Operation
- ★ R507 Operation

Operating Conditions

The ice machine shall not be subjected to an atmospheric temperature lower than 50 ° F. (10 ° C.) nor higher than 90 ° F. (32 ° C.) without effect on performance. Water for condensing or ice making purposes shall be non-corrosive.

The water shall be at a constant pressure no less than 30lbs. at the ice machine location. The condition of the water to make satisfactory ice shall be the responsibility of the purchaser.





Water Temperature	P24FL STANDARD CAPACITY TONS OF ICE PER 24 HOURS @ 10° F SUCTION		
	7/8" Diameter Ice	1-1/8" Diameter Ice	1-3/8" Diameter Ice
80 ° F	24.5	24.7	20.5
70 ° F	25.6	25.9	21.5
60 ° F	26.7	27.1	22.6
50 ° F	28.0	28.5	23.7
Shipping Weight	6,000	5,800	5,600
Operating Weight	6,860	6,660	6,460

CAPACITY TABLE, TONS OF ICE PER 24 HOURS (AT SUCTION TEMPERATURE ° F)												
Water Temperature	0 ° F			5 ° F			15 ° F			20 ° F		
	7/8"	1-1/8"	1-3/8"	7/8"	1-1/8"	1-3/8"	7/8"	1-1/8"	1-3/8"	7/8"	1-1/8"	1-3/8"
80 ° F	31.9	32.8	27.4	28.4	28.9	24.1	20.2	20.2	16.6	15.4	15.2	12.5
70 ° F	33.2	34.2	28.7	29.6	30.2	25.2	21.1	21.1	17.5	16.2	16.0	13.1
60 ° F	34.5	35.7	30.0	30.8	31.6	26.4	22.1	22.2	18.4	17.0	16.8	13.8
50 ° F	36.0	37.4	31.5	32.2	33.2	27.8	23.2	23.4	19.4	17.9	17.8	14.6

Capacities based on the following:

- Flooded ammonia liquid feed
- Blowdown of 15 gallons per cycle
- Ammonia discharge pressure of 185psig
- Harvest cycle of 3.5 minutes