

HFO5 SERIES TUBE-ICE MACHINE

HFO5-1", HFO5-1 1/4" & HFO5-1 1/2"



The HFO5 Series Tube-Ice machine continues the Vogt tradition of providing long lasting machine reliability, delivered capacity and lower energy cost solutions. This 5 ton of ice per day machine utilizes HFO refrigerants with low GWP and zero ODP. Available as a self contained water cooled unit or air-cooled remote, the HFO5 will provide you with years of dependable service without the fear of refrigerant obsolescence.

Heavy-duty industrial construction, automatic operation, energy efficiency and the best warranty in the business make the Vogt HFO5 Series the only "clear" choice for your ice making needs.

HFO5 Standard Features:

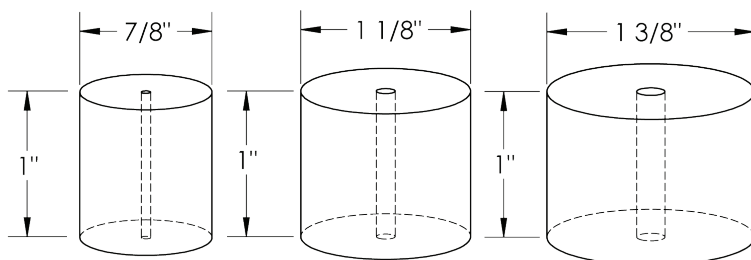
- ★ 25 Year Evaporator Warranty
- ★ R513A Refrigerant
- ★ Allen-Bradley PLC with thermocouples, pressure transducers and multiple built-in safeties
- ★ 10.1" wide HMI display with remote access capability*
- ★ Water-cooled or remote air-cooled operation
- ★ Export crating (ISPM-15 Rated)
- ★ Electronic Ice bin thermostat
- ★ Voltage - 208/230v.,3p.,60hz.

**Requires connection to Internet (ethernet connection)*

HFO5 Options:

- ★ Voltage - 460v.,3p.,60hz.
- ★ Voltage - 400v.,3p.,50hz.
- ★ Condenser for sea water
- ★ Stainless steel casings
- ★ "CE" Approval (400v, 50hz only)
- ★ Canadian Registration Number (CRN)
- ★ Australian Wiring Code
- ★ Dual Ice Feature (cylinder and crushed ice)
- ★ Cutter for 1-1/2" long ice
- ★ Cutter for crushed ice operation

HFO5 Tube-Ice Available in Three Ice Sizes:



Not to Scale

Model	Machine Capacity					
	Make-Up Water Temperature					
	50°F (10°C)		70°F (21°C)		90°F (32 °C)	
Lbs	Kg	Lbs	Kg	Lbs	Kg	
HFO5 - 1"	11,670	5293	11,000	4990	9,315	4225
HFO5 - 1 1/4"	11,200	5080	10,000	4536	8,400	3810
HFO5 - 1 1/2"	10,700	4853	9,500	4309	7,900	3583

Water Usage					
Ice Making				Water Cooled Condenser	
Gallons/100lbs	Liters/100lbs	Gallons/minute	Liters/minute	Gallons/minute	Liters/minute
14.5	54.9	1	3.79	15	56.8
		0.94	3.56		
		0.93	3.52		

Capacity rating is average for the model. Individual machines may vary +/- 5%. Capacity based on ambient (air) temperature of 90 ° F. (32 ° C).

Makeup water usage includes 20% blowdown.

Vogt Ice LLC
 1000 W. Ormsby Avenue
 Louisville, KY 40210
 (800) 853-8648, (502) 635-3000
 info@vogtice.com



www.vogtice.com

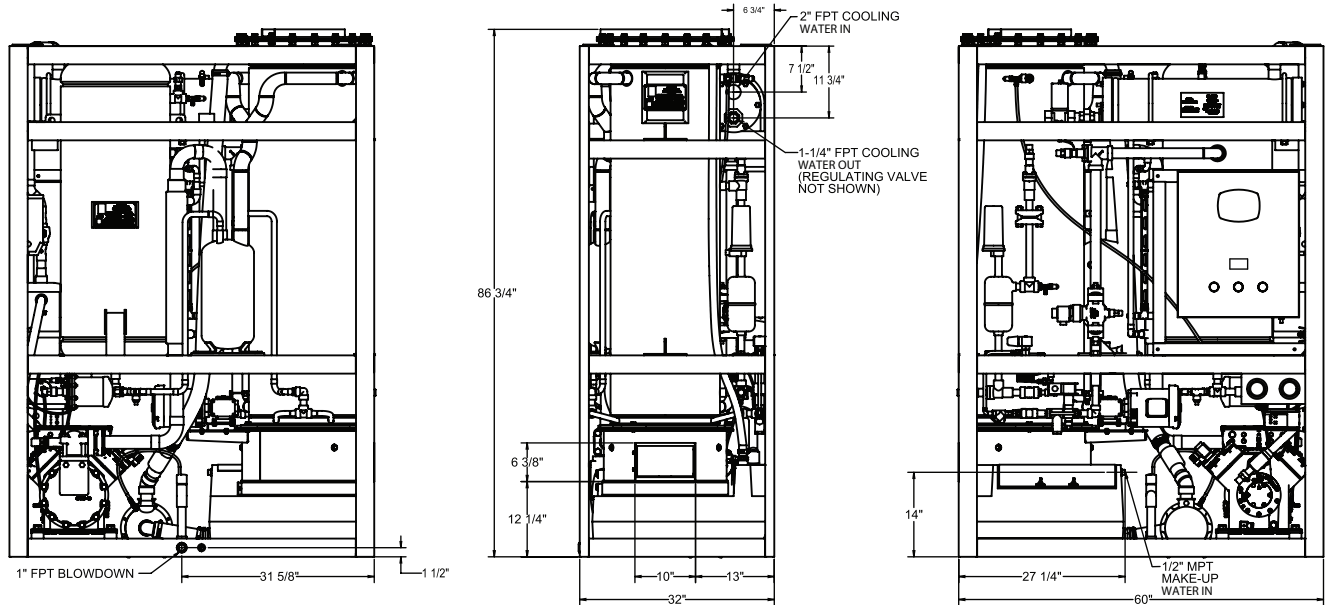




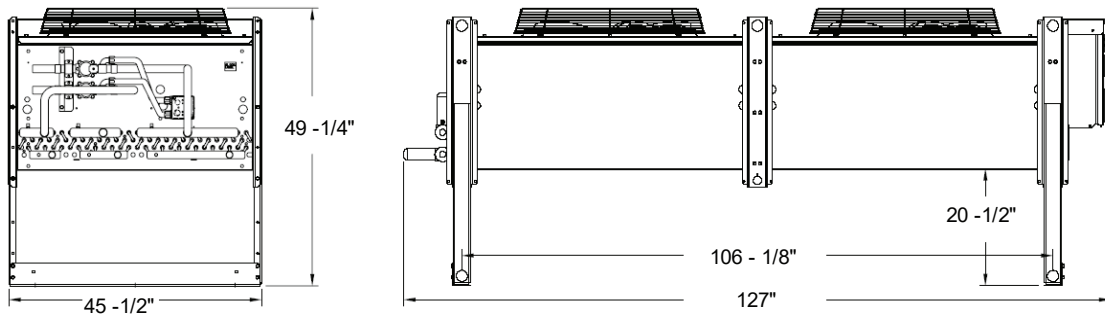
TubeIce | Turbo

HFO5 SERIES TUBE-ICE MACHINE

HFO5-1", HFO5-1 1/4" & HFO5-1 1/2"



Condenser



Voltage	Ice Machine Electrical Information					
	Air Cooled			Water Cooled		
	F.L.A.	Min. Ampacity	Max. Fuse Size (Amps)	F.L.A.	Min. Ampacity	Max. Fuse Size (Amps)
208/230V, 3ph, 60hz						
460V, 3ph, 60hz						
400V, 3ph, 50hz						

Motor Information			
Water Pump	Cutter Motor	Condenser Fan Motor(s)	Compressor
H.P.			
1-1/2	1/2	(qty 2) @ 1 1/2	18
			23

	Machine Weights			
	Ice Machine		Condenser	
	Lbs	Kg	Lbs	Kg
Shipping Weight	3300	1497	805	365
Operating Weight	2975	1349	680	308

Line Size Connections		
Ice Making Water		1/2" MPT
Drain Connections		1" FPT
Condenser Water Lines	In	2" FPT
	Out	1 1/4" FPT

Refrigerant Line Sizes from ice machine to condenser	See service manual or air-cooled condenser installation instruction packet.
--	---

Operating Conditions

The ice machine shall not be subjected to an atmospheric temperature lower than 50 ° F. (10 ° C.) nor higher than 90 ° F. (32 ° C.) without effect on performance. Water for condensing or ice making purposes shall be non-corrosive.

The water shall be at a constant pressure no less than 30lbs. at the ice machine location. The condition of the water to make satisfactory ice shall be the responsibility of the purchaser.