

P34AXL SERIES TUBE-ICE MACHINE

80 Ton per Day Ammonia Low-Side



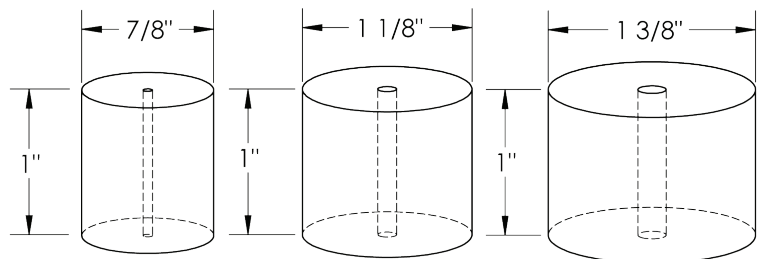
The P34AXL Series with a capacity of 80 tons of ice per day is an ammonia low-side Tube-Ice machine designed to operate with a dedicated ammonia high-side or on a central refrigeration system. The P34AXL will provide you with many years of dependable service.

Heavy-duty industrial construction, automatic operation, energy efficiency and the best warranty in the business make Vogt Tube-Ice machines the only "clear" choice for your ice making needs.

P34AXL Standard Features:

- ★ 25 Year Evaporator Warranty
- ★ Up to 80 tons of ice per day
- ★ Voltage - 230v.,3p.,60hz.
- ★ Control Voltage - 230v.,1p.,60hz
- ★ UL 508A Industrial Control Panel
- ★ Ammonia flooded operation
- ★ Manufactured in accordance with A.S.M.E. code
- ★ Standard ice length 1"

P34AXL Tube-Ice Available in Three Ice Sizes:



Not to Scale

P34AXL Options:

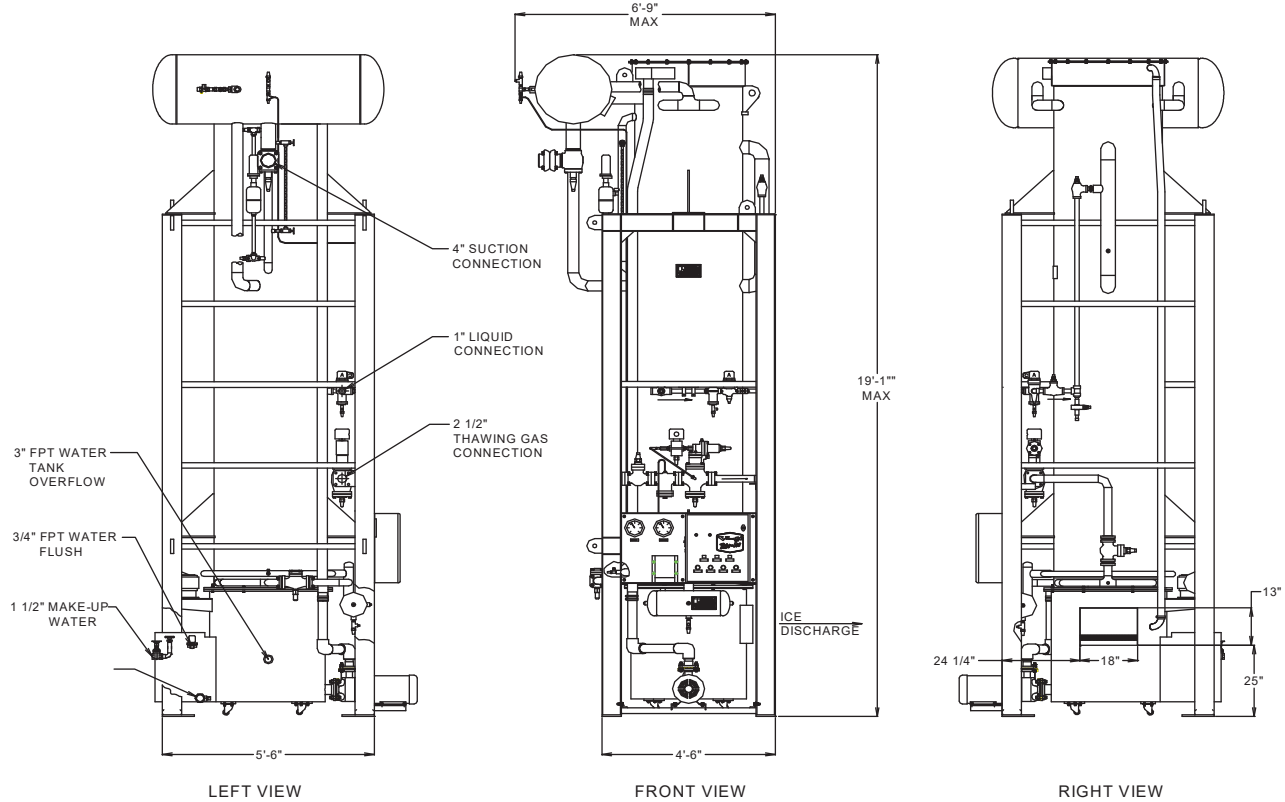
- ★ Voltage -460 v.,3p.,60hz.
- ★ Voltage - 400v.,3p.,50hz.
- ★ Voltage - 575v.,3p.,60hz.
- ★ 120v Controls
- ★ PLC Control panel (programmable logic controller)
- ★ Power monitor
- ★ Cutter for 1-1/2" long ice
- ★ Cutter for crushed ice
- ★ R.S. control valves
- ★ Liquid overfeed
- ★ All stainless steel
- ★ "CE" Approval (400v, 50hz only)
- ★ Canadian Registration Number (CRN)

Operating Conditions

The ice machine shall not be subjected to an atmospheric temperature lower than 50 ° F. (10 ° C.) nor higher than 90 ° F. (32 ° C.) without effect on performance. Water for condensing or ice making purposes shall be non-corrosive.

The water shall be at a constant pressure no less than 30lbs. at the ice machine location. The condition of the water to make satisfactory ice shall be the responsibility of the purchaser.





Water Temperature	P34AXL STANDARD CAPACITY TONS OF ICE PER 24 HOURS @ 10 ⁰ F (-12 ⁰ C) SUCTION (FLOODED)		
	7/8" Diameter Ice	1-1/8" Diameter Ice	1-3/8" Diameter Ice
80 ⁰ F (27 ⁰ C.)	74.7	71.7	55.1
70 ⁰ F (21 ⁰ C.)	77.3	74.7	57.6
60 ⁰ F (15 ⁰ C.)	80.1	78.0	60.3
50 ⁰ F (10 ⁰ C.)	83.2	81.6	63.2
Shipping Weight	12,500	12,300	12,000
Operating Weight	16,400	16,200	15,900

CAPACITY TABLE, TONS OF ICE PER 24 HOURS (AT SUCTION TEMPERATURE ⁰ F) (FLOODED)												
Water Temperature	0 ⁰ F (-18 ⁰ C)			5 ⁰ F (-15 ⁰ C)			15 ⁰ F (-9 ⁰ C)			20 ⁰ F (-7 ⁰ C)		
	7/8"	1-1/8"	1-3/8"	7/8"	1-1/8"	1-3/8"	7/8"	1-1/8"	1-3/8"	7/8"	1-1/8"	1-3/8"
80 ⁰ F (27 ⁰ C.)	93.5	93.3	72.9	84.7	83.0	64.4	63.1	59.2	45.0	49.5	45.2	34.0
70 ⁰ F (21 ⁰ C.)	96.3	96.8	75.9	87.5	86.4	67.1	65.5	61.8	47.1	51.5	47.3	35.7
60 ⁰ F (15 ⁰ C.)	99.3	100.6	79.2	90.4	89.9	70.2	68.1	64.7	49.4	53.8	49.7	37.5
50 ⁰ F (10 ⁰ C.)	102.6	104.8	82.8	93.6	93.8	73.5	70.9	67.8	52.0	56.2	52.2	39.6

Capacity based on 50 gallon blowdown per cycle with 4 minute harvest.

P34AXL STANDARD CAPACITY TONS OF ICE PER 24 HOURS @ 5 ⁰ F (-15 ⁰ C) SUCTION (LOF)			
Water Temperature	7/8" Diameter Ice	1-1/8" Diameter Ice	1-3/8" Diameter Ice
80 ⁰ F (27 ⁰ C.)	92.4	90.4	69.3
70 ⁰ F (21 ⁰ C.)	94.8	93.4	71.8
60 ⁰ F (15 ⁰ C.)	97.3	96.7	74.5
50 ⁰ F (10 ⁰ C.)	100.0	100.2	77.4

Capacity based on 5 gallon blowdown per cycle with RO water, 4 minute harvest.