

03TA Series Parts List (P112/HE60)

Note: The 03TA (P112F or HE60 Series) began production in 1998 with Cutler-Hammer control panel components. In mid-1999, the control panel was changed to include Allen-Bradley I.E.C. components.

Control Panel Components (Allen Bradley Panel)

<u>Part Number</u>	<u>Req'd</u>	<u>Description</u>
12A7500E61	1	A/B SELECTOR SWITCH, 3 POSITION <i>"Ice/Off/Clean" Selector Switch</i>
12A7500E77	1	CONTACT BLOCK/MOUNTING LATCH, 2-NO, 1-NC
12A7500E56	1	A/B PUSH BUTTON SWITCH (GREEN) <i>"Start" Push-Button Switch</i>
12A7500E73	1	CONTACT BLOCK/MOUNTING LATCH, 2-NO <i>Contacts for "Start" Switch</i>
12A7500E57	1	A/B PUSH BUTTON SWITCH (RED) <i>"Stop" Push-Button Switch</i>
12A7500E76	1	CONTACT BLOCK/MOUNTING LATCH, 1-NC <i>Contacts for "Stop" Switch</i>
12A7503E22	1	THAW TIMER, 8 PIN PLUG-IN, 100-240V., 50/60HZ <i>Replaces all other timers (includes base below)</i>
12A7503E2201	1	TIMER BASE #0T08-PC, EIGHT PIN PLUG-IN
12B7503E18	1	ELAPSED TIME INDICATOR, 230V, 60HZ PANEL MOUNT
12B7503E17	1	ELAPSED TIME INDICATOR, 220V, 50HZ PANEL MOUNT
12A7515E21	1	CONTROL CIRCUIT CIRCUIT BREAKER, 3 AMP, 2-POLE
12A7517E27	1	A/B RELAY, 10A, 2-NO/2-NC, 208/240 <i>"CR" Relay</i>
12A7516E23	1	A/B CONTACTOR, 9-AMP, 3-POLE, 208/240V W/1-NO AUX <i>Power Failure Relay</i>
12A2117E04	1	FREEZER PRESSURE SWITCH-R22
12A7516E30	1	A/B CONTACTOR, 72AMP, 3-POLE, 208/240V COIL <i>Compressor Motor Contactor (CC)</i>
12A7518E30	1	A/B AUX. CONTACT, 3A, 1 NO/1 NC, (SIDE MOUNT)
12A7518E31	1	A/B AUX. CONTACT, 3A, 2 NO, (SIDE MOUNT)
12A7518E32	1	A/B AUX. CONTACT, 5A, 2 NO, TOP MOUNT
12A7515E08	1	CIRCUIT BREAKER, 15 AMP. WESTINGHOUSE <i>Cutter/Pump Circuit Breaker or Air-Cooled Cond-400/460v</i>
12A7515E09	1	CIRCUIT BREAKER, 30 AMP. WESTINGHOUSE <i>Air-Cooled Condenser Circuit Breaker-208/230v</i>
12A7516E23	2	A/B CONTACTOR, 9-AMP, 3-POLE, 208/240V W/1-NO AUX <i>Cutter/Pump Contactor</i>
12A7518E33	2	A/B AUX. CONTACT, 6A, 1 NO, SIDE MOUNT <i>Cutter/Pump Contactor Auxillary Contact</i>

**03TA Series Parts List
(P112/HE60)**

Control Panel Components (Con'd) (Allen Bradley Panel)

<u>Part Number</u>	<u>Req'd</u>	<u>Description</u>
12A7530E54	1	MANUAL MOTOR STARTER, 1.6-2.5 AMP OVERLOAD Cutter Motor-208/230v or Water Pump-460v
12A7530E56	2	MANUAL MOTOR STARTER, 4.0-6.3 AMP OVERLOAD Water Pump-208/230v
12A7530E52	2	MANUAL MOTOR STARTER, 0.63-1.0 AMP OVERLOAD Cutter Motor-460v
12A7530E53	2	MANUAL MOTOR STARTER, 1.0-1.6 AMP OVERLOAD Cutter Motor-400v, 50hz
12A7530E55	2	MANUAL MOTOR STARTER, 2.5-4.0 AMP OVERLOAD Water Pump-400v, 50hz
12A7516E26	1	A/B CONTACTOR, 23-AMP, 3-POLE, 208/240V W/1-NC AUX Condenser Fan Contactor (Air-cooled only)

Control Panel Components (Cutler-Hammer Panel)

<u>Part Number</u>	<u>Req'd</u>	<u>Description</u>
12A7500E08	2	SWITCH, TOGGLE, STEMCO #1145, "Ice/Clean" toggle switch or "On/Off" toggle switch
12A7500E17	1	C/H PUSH-BUTTON SWITCH (GREEN) W/START NAMEPLATE
12A7518E03	1	C/H CONTACT BLOCK FOR PUSH-BUTTON SW (1-N/O,1-N/C) Secondary contact for "Start" push-button switch
12A7500E15	1	C/H PUSH-BUTTON SWITCH (RED) W/STOP NAMEPLATE
12A7503E22	1	THAW TIMER, 8 PIN PLUG-IN, 100-240V., 50/60HZ Replaces all other timers (includes base below)
12A7503E2201	1	TIMER BASE #0T08-PC, EIGHT PIN PLUG-IN
12B7503E18	1	ELAPSED TIME INDICATOR, 230V, 60HZ PANEL MOUNT
12B7503E17	1	ELAPSED TIME INDICATOR, 220V, 50HZ PANEL MOUNT
12A7502E07	2	FUSE HOLDER,LITTEL FUSE SHOCK
12A7504E1	2	CONTROL CIRCUIT FUSE,2.5 AMP (ORDER MULTIPLES OF 5)
12A7517E18	1	C/H RELAY #D15CRY1 (W/ 2-N/O, 2-N/C) "CR" Relay, replaces Furnas 12A7517E15 & P/B 12A7517E08
12A7516E09	1	CONTACTOR / CUTLER-HAMMER 2-POLE, 10AMP Power Failure Relay
12A2117E04	1	FREEZER PRESSURE SWITCH-R22
12A7516E22	1	CONTACTOR C/H #CE15KN3B, 3 POLE, 220/240V
12A7518E15	1	AUX CONTACT / CUTLER-HAMMER #C32OKGS3, 1-NO/1-NC
12A7518E16	1	AUX CONTACT / CUTLER-HAMMER #C32OKGS4, 2-NO
12A7518E21	1	AUX CONTACT / CUTLER-HAMMER #C320KGT4, 2-NO

**03TA Series Parts List
(P112/HE60)**

Control Panel Components (Con'd) (Cutler-Hammer Panel)

<u>Part Number</u>	<u>Req'd</u>	<u>Description</u>
		Compressor Motor Contactor (CC)
12A7515E08	1	CIRCUIT BREAKER, 15 AMP. WESTINGHOUSE Cutter/Pump Circuit Breaker or Air-Cooled Cond-400/460v
12A7515E09	1	CIRCUIT BREAKER, 30 AMP. WESTINGHOUSE Air-Cooled Condenser Circuit Breaker-208/230v
12A7530E11	2	C/H STARTER #AE16BNY, 3-POLE Cutter/Pump Motor Starter
12A7518E16	1	AUX CONTACT / CUTLER-HAMMER #C32OKGS4, 2-NO
12A7508H2006	1	C/H HEATER PACK #H2006B 1.79-2.90 AMP Cutter Overload for 208/230v, Pump Overload for 460v
12A7508H2008	1	C/H HEATER PACK #H2008B 3.23-5.23 AMP Pump Overload for 208/230v
12A7508H2004	1	C/H HEATER PACK #H2004B .814-1.21 AMP Cutter Overload for 460v
12A7508H2007	1	C/H HEATER PACK #H2007B 2.15-3.49 AMP
12A7508H2009	1	C/H HEATER PACK #H2009B 4.55-7.40 AMP
12A7508H201	1	C/H HEATER PACK #H2010B 6.75-11.0 AMP
12A7508H2011	1	C/H HEATER PACK #H2011B 9.14-14.0 AMP
12A7508H2013	1	C/H HEATER PACK #H2013B 18.7-30.7 AMP
12A7508H2015	1	C/H HEATER PACK #H2015B 29.0-39.5 AMP
12A7508H2016	1	C/H HEATER PACK #H2016B 39.6-57.4 AMP
12A7508H2017	1	C/H HEATER PACK #H2017B 53.9-74.9 AMP
12A7516E26	1	A/B CONTACTOR, 23-AMP, 3-POLE, 208/240V W/1-NC AUX Condenser Fan Contactor (Air-cooled only) Replaces C/H 12A7516E1

Additional Electrical Components

<u>Part Number</u>	<u>Req'd</u>	<u>Description</u>
12A2117G01	2	A/B THERMOSTAT, 15FT Optional (BT)
12A2117G04	2	A/B THERMOSTAT, 15FT WITH ENCLOSURE Optional (BT)
12A2117G09	2	ELECTRONIC BIN THERMOSTAT Optional (BT)
12A2117D01	1	HI/LOW PRESSURE SWITCH
12A2117A05	1	SENTRONIC OIL PRESSURE SAFETY CONTROL
12A2117A0501	1	REPLACEMENT SENSOR #998-0162-00 FOR SENTRONIC OPS

**03TA Series Parts List
(P112/HE60)**

Additional Electrical Components (Con'd)

<u>Part Number</u>	<u>Req'd</u>	<u>Description</u>
12A2117F05	1	CONDENSER FAN CONTROL SWITCH
12A7519E03	1	CONTROL CIRCUIT TRANSFORMER, 460V-230V, 1KVA <i>For 60HZ Machines</i>
12A7519E02	1	TRANSFORMER, GE #9T51B0170, 1KVA <i>For 50HZ Machines</i>
12A7700P01	1	LINEBACKER PHASE PROTECTOR <i>Optional</i>

Freezer Components

<u>Part Number</u>	<u>Req'd</u>	<u>Description</u>
12B2185N11	78	1" WATER DISTRIBUTOR SANOPRENE NO VENT
12B2185N21	48	1-1/4" WATER DISTRIBUTOR SANOPRENE NO VENT
12A2600G01	1	FREEZER COVER GASKET 13" OD X 11 11/16" ID X 3/16"
12A2145C09	1	COVER, FREEZER, 12" TYPE 304 CAST STAINLESS STEEL
12A2222H1118	8	STUD BOLT, 3/8"-16NC X2 3/4"LG
12A2240H4109	8	NUT, WING, BRASS, 3/8"-16NC
12A2250A109	8	WASHER, CUT 3/8" x 7/8" O.D. SS
12A4200L0402	1	RELIEF VALVE #3020 SET @ 350#, 1/2" MPT x 5/8" SAE
12A4200G0201	1	VALVES, 1/4" MPT X 1/4" SAE <i>Freezer Purge Valve</i>
12A4009R01		PLUG, RUBBER 7/8" OD X 2" LG FOR 1" TUBES
12A2215H1116	1	CAP SCREW, 3/8"-16NC X 2-1/4" LONG <i>(Use this bolt for 1" tubes)</i>
12A2250A109	2	WASHER, CUT 3/8" x 7/8" O.D. SS <i>(Use this washer for 1" tubes)</i>
12A4009R02		PLUG, RUBBER 1"OD X 2 1/2"LG FOR 1-1/4" TUBES
12A4009R03		PLUG, RUBBER 1 1/4"OD X 2 1/2" FOR 1-1/2" TUBES
12A2215H1119	1	CAP SCREW, 3/8"-16NC X 3" LONG <i>(Use this bolt for 1-1/4" or 1-1/2" tubes)</i>
12A2250A12	2	WASHER, CUT 3/8" x 1" O.D. SS <i>(Use this washer for 1-1/4" or 1-1/2" tubes)</i>
12A2240A1109	1	NUT, HEX 3/8"-16NC S.S.
12A7500E22	1	FLOAT SWITCH, HANSON #HLL (DIFFERENTIAL SET @ 1/2")
12A7500E24	1	SWITCH ASSEMBLY #HLL-SW FOR HANSON
12A2600F01	2	FLANGE GASKET FOR 3/4" & 1" 2-BOLT FLANGE
12A4200G0301	1	CHARGING VALVE, 3/8 MPT X 1/2 SAE FLARE
12A2451R01	1	REDUCER WITH GASKET 1/2" SAE X 1/4" SAE
12A2451C01	1	CAP, WC, 1/4" FLARE, WITH NEOPRENE SEAL
12A2055B02	1	BRUSH, STAINLESS STEEL #GTC210 FOR 1" TUBES
12A2055B04	1	BRUSH, STAINLESS STEEL #GTC210 FOR 1 1/4" TUBES

**03TA Series Parts List
(P112/HE60)**

Compressors

Compressors include junction box and overloads. Shipping weight 575lbs.		
<u>Part Number</u>	<u>Req'd</u>	<u>Description</u>
12A2110A105	1	COMPRESSOR, COPELAND DISCUS 3DE3-0750-TFC-200 <i>R-22, 208/230V-3P-60HZ</i>
12A2110A106	1	COMPRESSOR, COPELAND DISCUS 3DE3A0750-TFD <i>R22, 460V-3P-60HZ</i>
12A2110A108	1	COMPRESSOR, COPELAND DISCUS 3DP3A1000-TFD <i>R-22, 380/420V-3P-50HZ</i>
12A2110A121	1	COMPRESSOR, COPELAND DISCUS 3DP3A100E-TFD-201 <i>R404A, 380/420V-3P-50HZ</i>

Compressor Accessories

<u>Part Number</u>	<u>Req'd</u>	<u>Description</u>
12A7509E12	1	CRANKCASE HEATER #518-0028-01 100 WATT INSERTION
12A2110P0904	1	UNLOADER PKG FOR 3DA, 3DE, 3DH COPELAND COMP
12A2105C24	1	UNLOADER COIL #023-0039-2, 208/230V COPELAND
12A2105C20	1	UNLOADER COIL #023-0041-01, 120V COPELAND
12A7523E14	2	KLIXON OVERLOAD 9980524-00-COPELAND DISCUS
12A2117A05	1	SENTRONIC OIL PRESSURE SAFETY CONTROL

Cutter Drive Parts

<u>Part Number</u>	<u>Req'd</u>	<u>Description</u>
12A2900M0508	1	CUTTER MOTOR, 1/2HP 208/230/460V-3P-50/60HZ
12A4030R12	1	GEAR REDUCER, GROVE 10:1 WASHDOWN W/VENT PLUG
19T3020C01	1	GEAR OIL, 10 OUNCE BOTTLE, TEXACO CYGNUS
19T2615D01	1	CUTTER DRIVE GEAR TI-59 W/O HUB
12A2160H0101	1	CUTTER DRIVE GEAR HUB 5/8" BORE
12A2215F1112	3	CAP SCREW, 1/4"-20NC X 1 1/4"Long SS <i>Hub mounting screws</i>
12A2250B107	3	WASHER, LOCK 1/4" SS (300 SERIES)

Cutter Internals

<u>Part Number</u>	<u>Req'd</u>	<u>Description</u>
12B2020R04	1	HE (UHMW) CUTTER BEARING
12A3040S02	1	CUTTER BEARING ROLL PIN 3/16" X 1/2"
19T2025B0103	1	BEARING BRACKET FOR 12" CUTTER
19T2170D01	1	ICE DEFLECTOR DOOR

**03TA Series Parts List
(P112/HE60)**

Cutter Internals (Con'd)

<u>Part Number</u>	<u>Req'd</u>	<u>Description</u>
12A4071S03	1	RIVET, 3/16 X 2 1/4 FLAT HD. FOR ICE DELECTOR DOOR
19T2163D0101	1	CUTTER DISC, STAINLESS STEEL FOR 12" CUTTER
12A3040S01	1	CUTTER DISC ROLL PIN, 1/4" X 1 1/2"
19T4073R07	1	CUTTER DISC ROLL PIN TOOL
19T2160C0101	1	HE CUTTER ASSEMBLY, INVESTMENT CAST SS
19T2010A01	1	ADAPTOR PLATE FOR HE 1" DIAMETER x 3/4" LG ICE <i>Mounting screws below thread directly into lower plate</i>
12A2226F1108	4	MACHINE SCREW, FLAT HEAD SS, 1/4" x 3/4"
19T2090C07	1	HE ICE CHUTE ASSEMBLY FOR SINGLE TYPE ICE

Water Tank & Circulating Water

<u>Part Number</u>	<u>Req'd</u>	<u>Description</u>
12A2600G12	1	WATER TANK GASKET 16 1/8" OD x 14" ID x 3/16" THK
12A4200H0401	1	FLOAT VALVE, 1/2" ROBERTS #RM214
12A2240C4111	1	BRASS HEX NUT FOR MAKEUP FLOAT VALVE
12A4020G01	1	PUMP, GOULD NPE 3ST, 1.5 HP, 208/230/460-3-50/60 3-5/8" IMP
12A4080S12	1	SEAL, PUMP FOR GOULD NPE 3ST 1-1/2 HP
12A4181T06	7	TUBING, TYGON B-44-3, 1-1/2" OD x 1-1/4" ID <i>Circulating Water (Priced per ft)</i>
12A4181T07	1	TUBING, TYGON B-44-3, 2" OD x 1-1/2" ID <i>Pump Suction (Priced per ft)</i>
12A2450E17	2	ELL, PVC, 90 DEG. 1-1/4" MPT x 1-1/4" INSERT
12A2450B02	1	BUSHING, PVC, 1-1/2" MPT x 1-1/4" FPT
12A2450B12	1	BUSHING, PVC, 2" MPT X 1 1/4"
12A1501S26	1	PVC DRAIN / BLOWDOWN ASSEMBLY
12A4181T08	1	TUBING, TYGON B-44-3, 3/8" OD x 1/4" ID <i>Blowdown (Priced per ft)</i>
12A4181T04	2	TUBING, TYGON B-44-3, 1-1/4" OD x 1" ID <i>Drain (Priced per ft)</i>
12A2450A01	1	ADAPTER, MALE, PVC, 3/4" MPT x 3/4" SLIP
12A2100C0201	4	CLAMPS, SS HOSE, 13/16" x 1 3/4"
12A4200G0101	1	PET COCK VALVE, 1/8" MPT x 1/4" HOSE
12A2451B01	1	BUSHING, BRASS, 1/4" MPT X 1/8"

**03TA Series Parts List
(P112/HE60)**

Water-Cooled Condenser

<u>Part Number</u>	<u>Req'd</u>	<u>Description</u>
12A2115S0109	1	CONDENSER, STANDARD #HSE-10
12A2600S08	1	GASKET #1066 FOR HSE-10 INLET SIDE
12A2600S09	1	GASKET #1057 FOR HSE-10 RETURN SIDE
12A4200L0408	1	RELIEF VALVE #3020 SET @ 400#, 1/2" MPT x 5/8" SAE
12A4200G0201	1	VALVES, 1/4" MPT X 1/4" SAE
12A4200E1001	1	WATER REGULATING VALVE, 1-1/4" FPT
12A2055B01	1	CONDENSER CLEANING TOOL, ADJUSTABLE 3/8" x 1/2" ID

Air-Cooled Condenser

<u>Part Number</u>	<u>Req'd</u>	<u>Description</u>
12A2115KS231	1	CONDENSER, HDD-231, 50/50 SPLIT COIL & CONTROLS
12A2900M0505	1	CONDENSER FAN MOTOR, 1/2HP 208/230/460-3-50/60
12A2115P0401	1	CONDENSER, FAN BLADE 213455000, 24"
12A7516E26	1	A/B CONTACTOR, 23-AMP, 3-POLE, 208/240V W/1-NC AUX Condenser Fan Contactor (Air-cooled only) Replaces Furnas 12A7516E06 and C/H 12A7516E1
12A2117F05	1	CONDENSER FAN CONTROL SWITCH
12A4200B0701	1	CHECK VALVE, 7/8" O.D.
12A4200A0904	1	VALVES, SOLENOID, SPORLAN 1-1/8" ODC 208/230V-50/60HZ Discharge Line (X-Valve)

Receiver

<u>Part Number</u>	<u>Req'd</u>	<u>Description</u>
12A2625G08	1	GAGE GLASS 1/2" X 18 7/8" LONG For Brass Gage Cock Valves
12A2625G10	1	GAGE GLASS, 1/2" X 20" LONG For Steel Gage Cock Valves
12A2635G07	1	GAGE GLASS GUARD SET, 17 5/8"
12A4199V26	2	GAGE GLASS PACKING O-RING FOR 1/2" DIAMETER
12A4200J0405W	1	UPPER GAGE COCK VALVE, WESTERMAYER PLATED Replaced Brass Valve 12A4200J0403 - May 1999
12A4200J0406W	1	LOWER GAGE COCK VALVE, WESTERMAYER PLATED Replaced Brass Valve 12A4200J0404 - May 1999
12A3050C0301	2	PIPE NIPPLE, 1/2" X 1-1/2" LONG
12A4200L0408	1	RELIEF VALVE #3020 SET @ 400#, 1/2" MPT x 5/8" SAE
12A4200R0801	1	ROTA-LOCK VALVE W/NEUTRAL PORT 1-1/8" SWT x 1-1/4"-12 Thawing Gas Outlet Valve

**03TA Series Parts List
(P112/HE60)**

Receiver (Con'd)

<u>Part Number</u>	<u>Req'd</u>	<u>Description</u>
12A4200R0402	1	ROTA-LOCK VALVE W/NEUTRAL PORT 5/8" IDS x 1-14 THREAD <i>Liquid Return Valve</i>
12A4200R0401	1	ROTA-LOCK VALVE HORIZONTAL 1/2" ID SWT x 1-14 THREAD <i>Liquid Line (King) Valve</i>
12A2600T01	1	ROTA-LOCK PRIMORE TEFLON SEAL FOR 1-1/4-12 THREAD
12A2600T02	2	ROTA-LOCK PRIMORE TEFLON SEAL FOR 1-14 THREAD

Discharge Line & Oil Return

<u>Part Number</u>	<u>Req'd</u>	<u>Description</u>
12A3025S14	1	OIL SEPARATOR, TEMPRITE #924, 1 1/8 ODC CONNECTIONS <i>Accessible Coalescent Type</i>
12A2451R02	1	FLARE ADAPTOR, 3/8" (F) SAE x 1/4" (M) SAE
12A4200G0201	1	VALVES, 1/4" MPT X 1/4" SAE <i>Oil Return Stop Valve</i>
12A2742S05	1	SUPERHOSE ASSY, 42" LONG, 1/4" <i>Compressor to Oil Separator</i>
12A4200A0904	1	VALVES, SOLENOID, SPORLAN 1-1/8" ODC 208/230V-50/60HZ <i>(X-Valve) Air-Cooled Only (Extended Ends)</i>
12A4199V46	1	REPAIR KIT #KS-E34 FOR SPORLAN ME34S
12A2105C16	1	COIL, #MKC-2 FOR SPORLAN 208/240V-50/60HZ
12A2975M08	1	MUFFLER, AC&R #S-6311, 1 1/8"
12A4200G0903	1	VALVES, BALL TYPE, 1 1/8" ODS <i>Discharge Line Stop Valve (Air-Cooled Only)</i>

Suction/Liquid Line

<u>Part Number</u>	<u>Req'd</u>	<u>Description</u>
12A2000A13	1	SUCTION ACCUMULATOR, RR HX3706 1-3/8" x 5/8"
12A2710H23	1	HEAT EXCHANGER, DOUCETTE #HLSE 1-38" x 5/8"
12A4200A0606	1	VALVES, SOLENOID, HANSEN #HS8 W/STRAINER <i>Liquid Line Solenoid (A-Valve)</i>
12A4199V51	1	REPAIR KIT #70-1001 FOR HANSEN HS8
126229	1	COIL, HANSEN #70-1063,208/240V-50/60HZ W/JUNCTION BOX
12A4200C0406	1	HAND EXPANSION VALVE, 1/2" ANGLE HANSEN
12A2140C06	1	FILTER DRIER CORE #RC-4267
12A4200R0401	1	ROTA-LOCK VALVE HORIZONTAL 1/2" ID SWT x 1-14 THREAD <i>Liquid Line (King) Valve</i>
12A2600T02	1	ROTA-LOCK PRIMORE TEFLON SEAL FOR 1-14 THREAD

**03TA Series Parts List
(P112/HE60)**

Thawing Gas Line

<u>Part Number</u>	<u>Req'd</u>	<u>Description</u>
12A4200A0904	1	VALVES, SOLENOID, SPORLAN 1-1/8" ODC 208/230V-50/60HZ Thawing Gas Solenoid ("D"-Valve)
12A4199V46	1	REPAIR KIT #KS-E34 FOR SPORLAN ME34S
126229	1	COIL, HANSEN #70-1063,208/240V-50/60HZ W/JUNCTION BOX
12A4200G0301	1	CHARGING VALVE, 3/8 MPT X 1/2 SAE FLARE
12A2451R01	1	REDUCER WITH GASKET 1/2" SAE X 1/4" SAE
12A2451C01	1	CAP, WC, 1/4" FLARE, WITH NEOPRENE SEAL

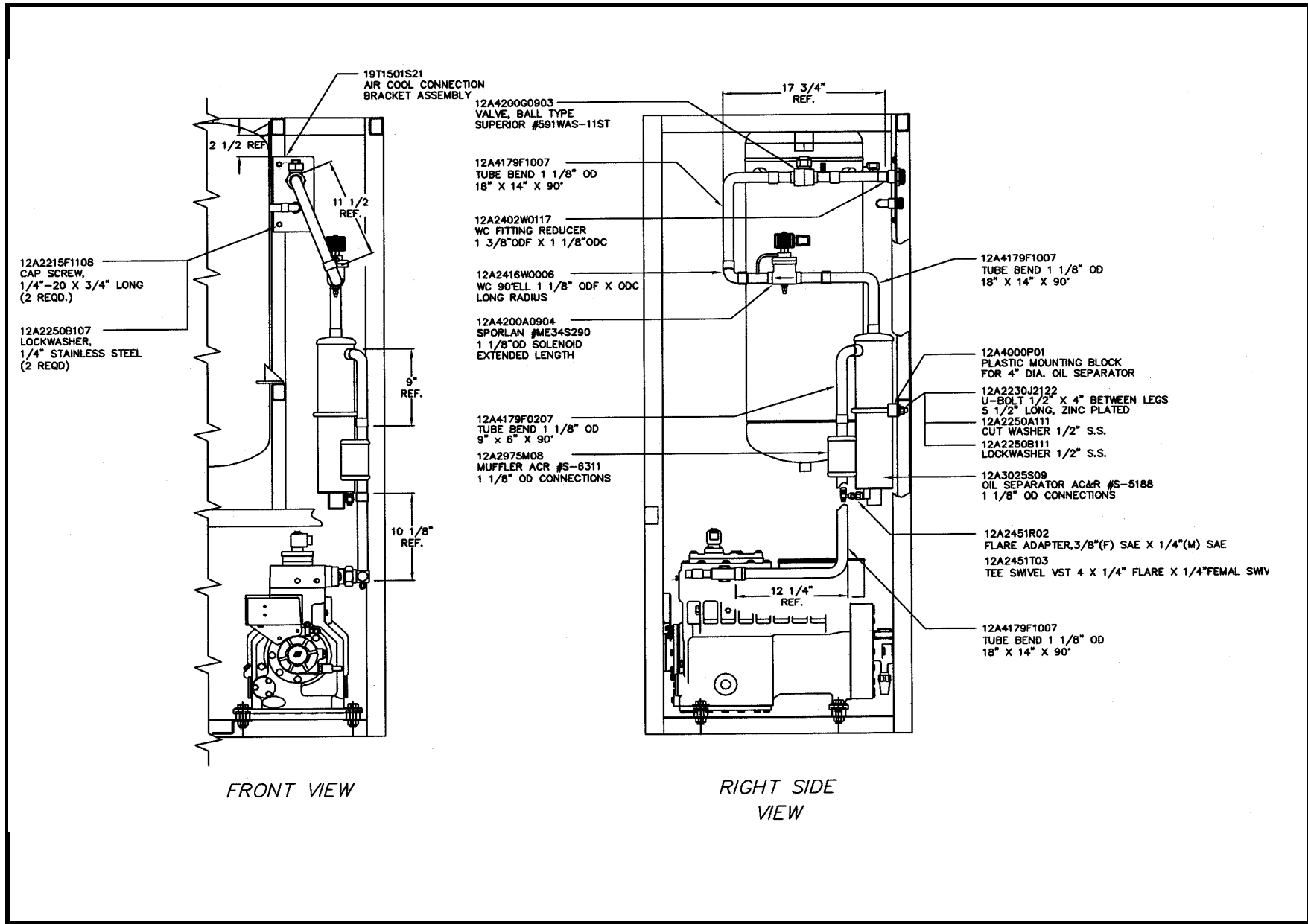
Superhose & Fittings

<u>Part Number</u>	<u>Req'd</u>	<u>Description</u>
12A2742S01	1	SUPERHOSE ASSY, 12" LONG, 1/4" High Pressure Switch to Compressor
12A2742S03	1	SUPERHOSE ASSY, 20" LONG, 1/4" Low Pressure Switch to Compressor
12A2742S05	1	SUPERHOSE ASSY, 42" LONG, 1/4" Compressor to Oil Separator
12A2742S06	1	SUPERHOSE ASSY, 54" LONG, 1/4" Freezer Pressure Switch to Freezer
12A2451T01		TEE, WC, 1/4" SAE x 1/4" MPT x 1/4" SAE
12A2451T02		TEE, WC, 1/4" SAE x 1/4" SAE x 1/4" MPT
12A2451T03		TEE SWIVEL 1/4" SAE x 1/4" ACCESS x 1/4" FEMALE SWIVEL
12A2451T04		TEE, BRASS 1/4" MPT x 1/4" SAE x 1/4" ACCESS
12A2451T06		TEE, SWIVEL, 1/4" SWIVEL x 1/4" SAE x 1/4" SAE
12A2451T07		TEE, 1/8" MPT x 1/4" SAE x 1/4" SAE
12A2451T08		TEE, BRASS, 1/4" (M) SAE x 1/4" (M) SAE x 1/4" (F) SAE
12A2451T09		TEE, 1/4" SAE FLARE
12A2451T1		TEE, STREET, BRASS 1/4" MPT X 1/4" FPT x 1/4" FPT
12A2451T11		TEE, 1/8" MPT X 1/4" SAE x 1/4" ACCESS
12A2451U01		UNION, U3-4B, 1/4" SAE x 1/4" FPT
12A2451U02		UNION, WC, BRASS 1/4" SAE x 1/4" ODC
12A2451U05		UNION, WC, 1/4" SAE x 1/4" MPT
12A2451U06		UNION, WC, 1/4" SAE x 1/8" MPT

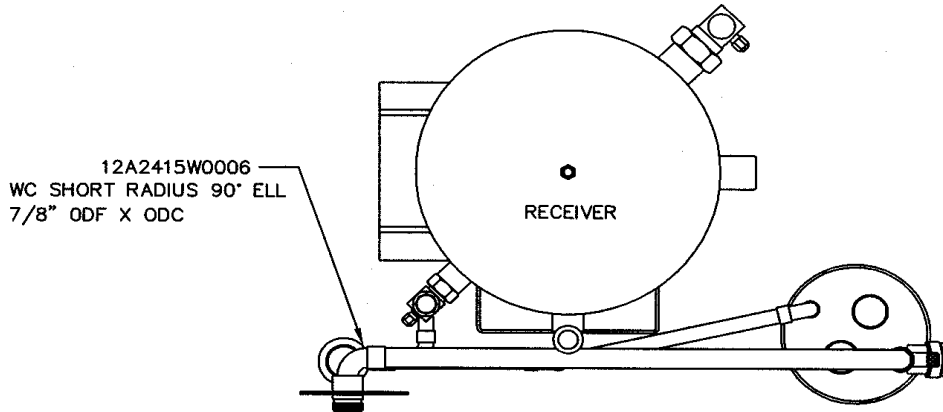
Goldenrod Water Treatment

<u>Part Number</u>	<u>Req'd</u>	<u>Description</u>
12A2195W0901	1	GOLDENROD WATER TREATMENT, 9" - 25 GPM - NSF
12A2195I01	2	INSULATOR, DELRON FOR 5", 9", OR 12" GOLDENROD
12A2195W0504	1	DELRON THREADED PLUG FOR GOLDENROD

03TA Air-Cooled Discharge Line Detail

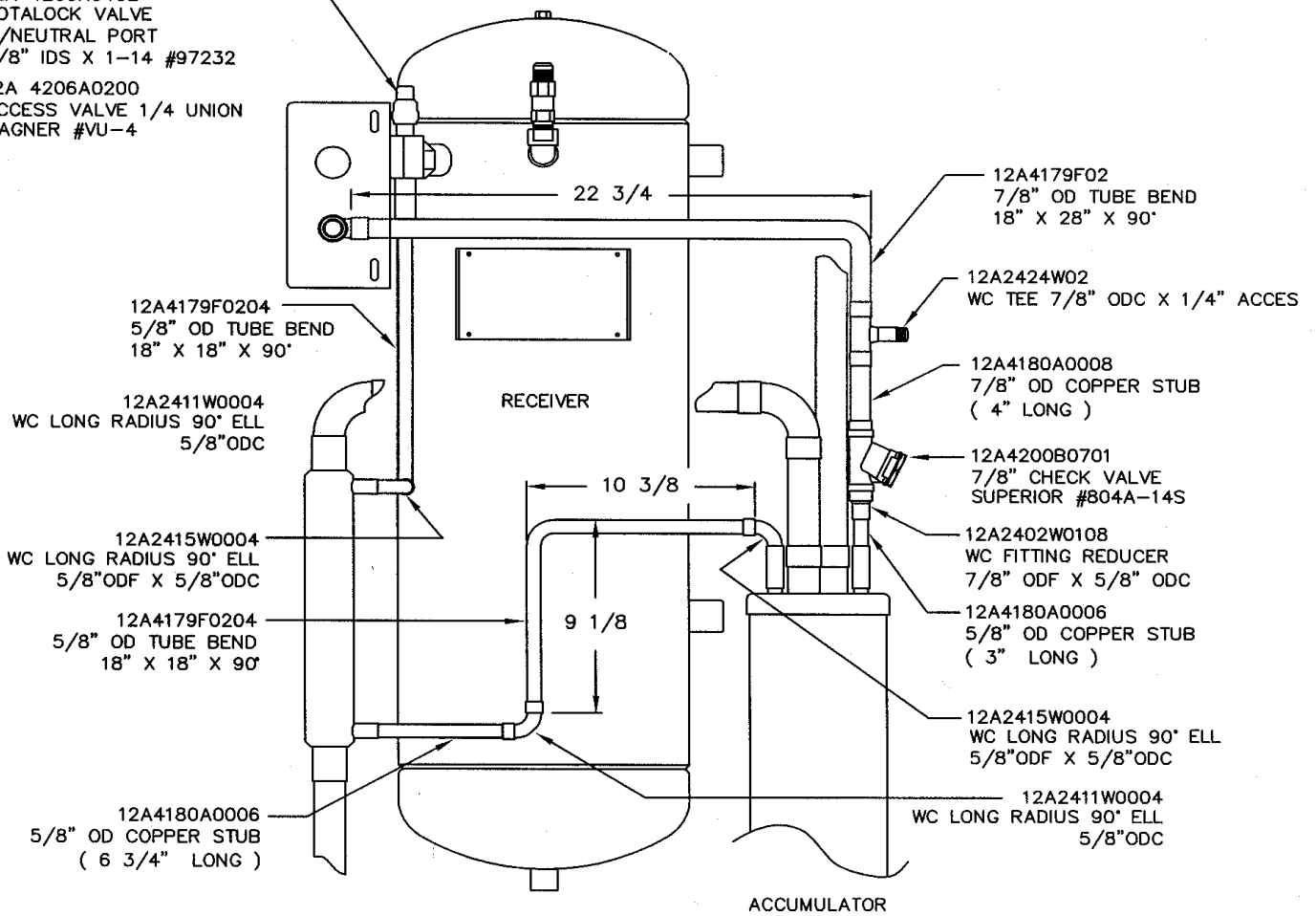


03TA Air-Cooled Liquid Return Detail



12A2415W0006
WC SHORT RADIUS 90° ELL
7/8" ODF X ODC

12A 4200R0402
ROTA LOCK VALVE
W/NEUTRAL PORT
5/8" IDS X 1-14 #97232
12A 4206A0200
ACCESS VALVE 1/4 UNION
WAGNER #VU-4



12A4179F02
7/8" OD TUBE BEND
18" X 28" X 90°

12A2424W02
WC TEE 7/8" ODC X 1/4" ACCES

12A4180A0008
7/8" OD COPPER STUB
(4" LONG)

12A4200B0701
7/8" CHECK VALVE
SUPERIOR #804A-14S

12A2402W0108
WC FITTING REDUCER
7/8" ODF X 5/8" ODC

12A4180A0006
5/8" OD COPPER STUB
(3" LONG)

12A2415W0004
WC LONG RADIUS 90° ELL
5/8"ODF X 5/8"ODC

12A2411W0004
WC LONG RADIUS 90° ELL
5/8"ODC

12A4179F0204
5/8" OD TUBE BEND
18" X 18" X 90°

12A2411W0004
WC LONG RADIUS 90° ELL
5/8"ODC

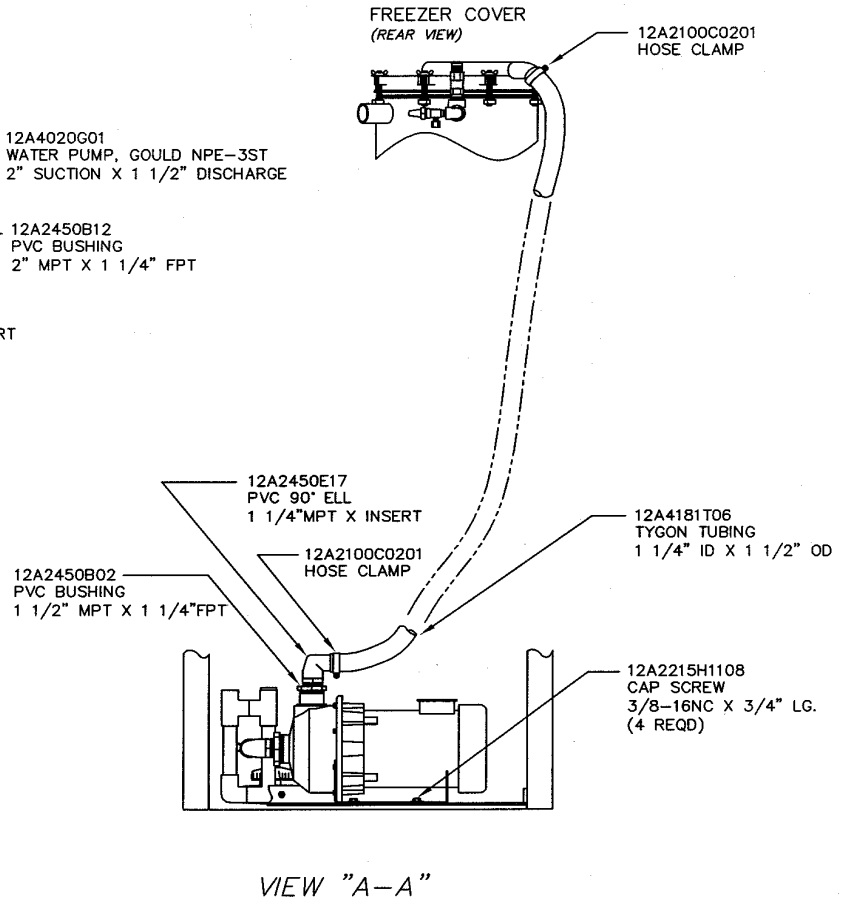
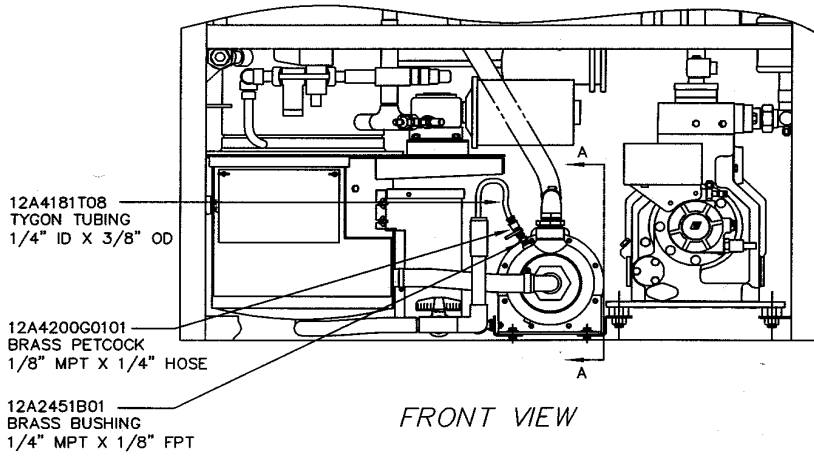
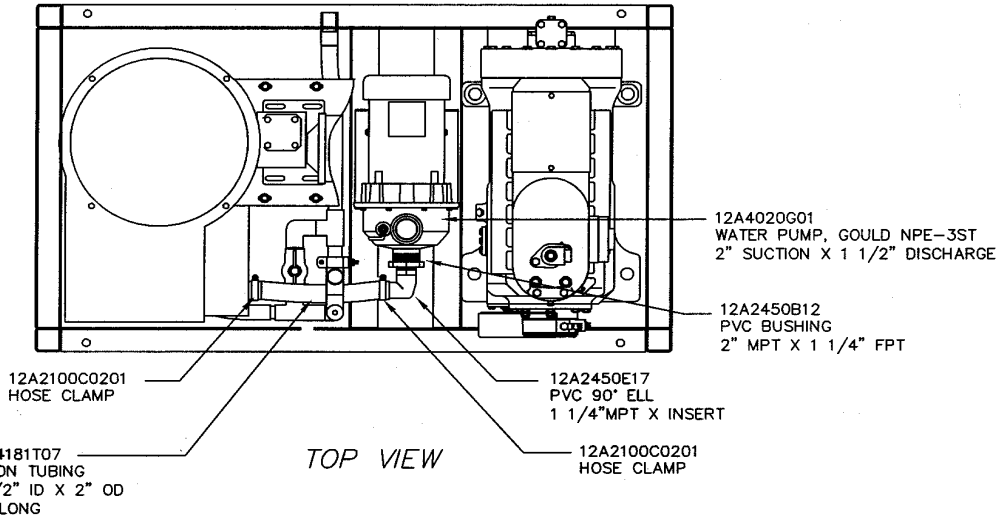
12A2415W0004
WC LONG RADIUS 90° ELL
5/8"ODF X 5/8"ODC

12A4179F0204
5/8" OD TUBE BEND
18" X 18" X 90°

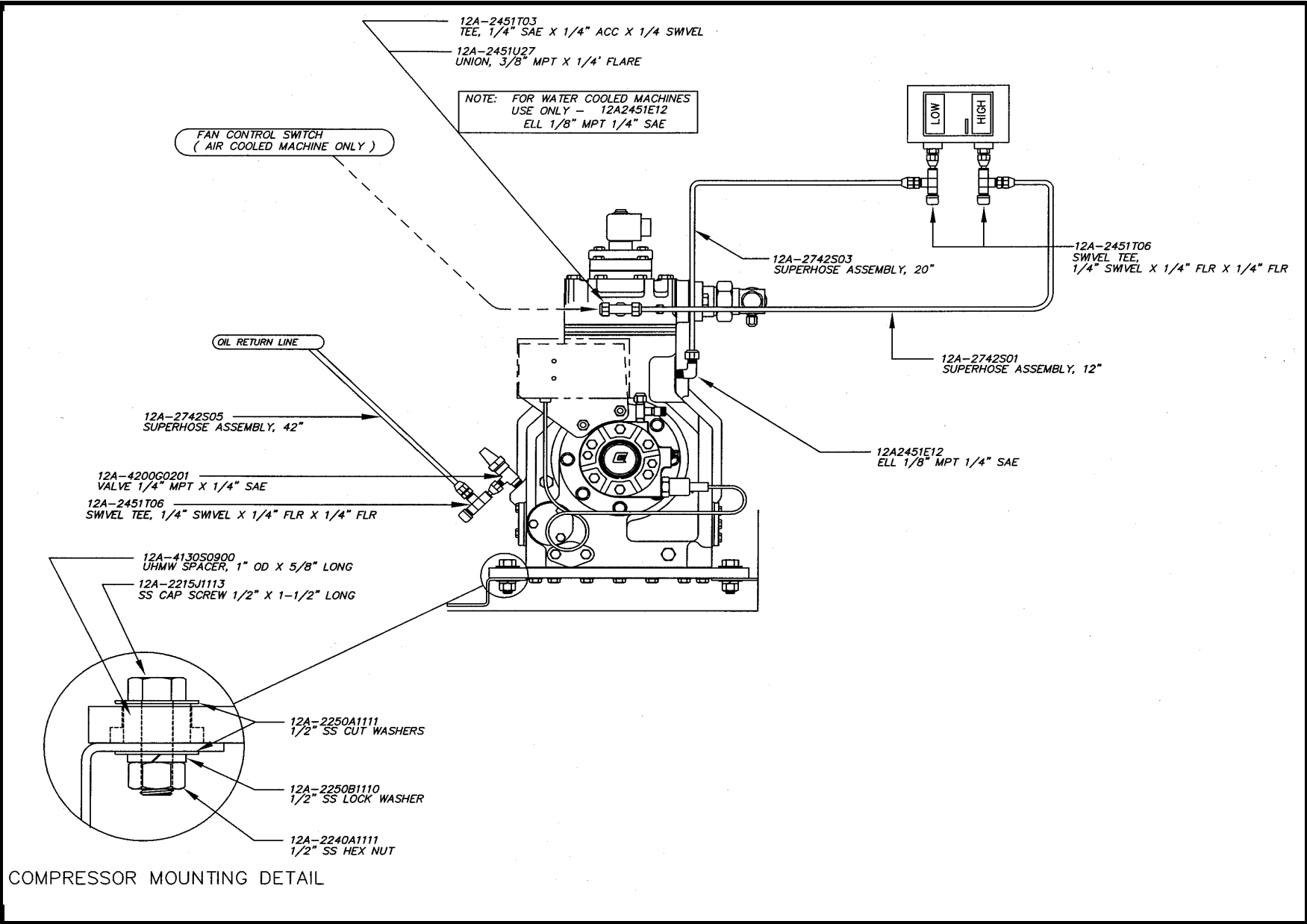
12A4180A0006
5/8" OD COPPER STUB
(6 3/4" LONG)

ACCUMULATOR

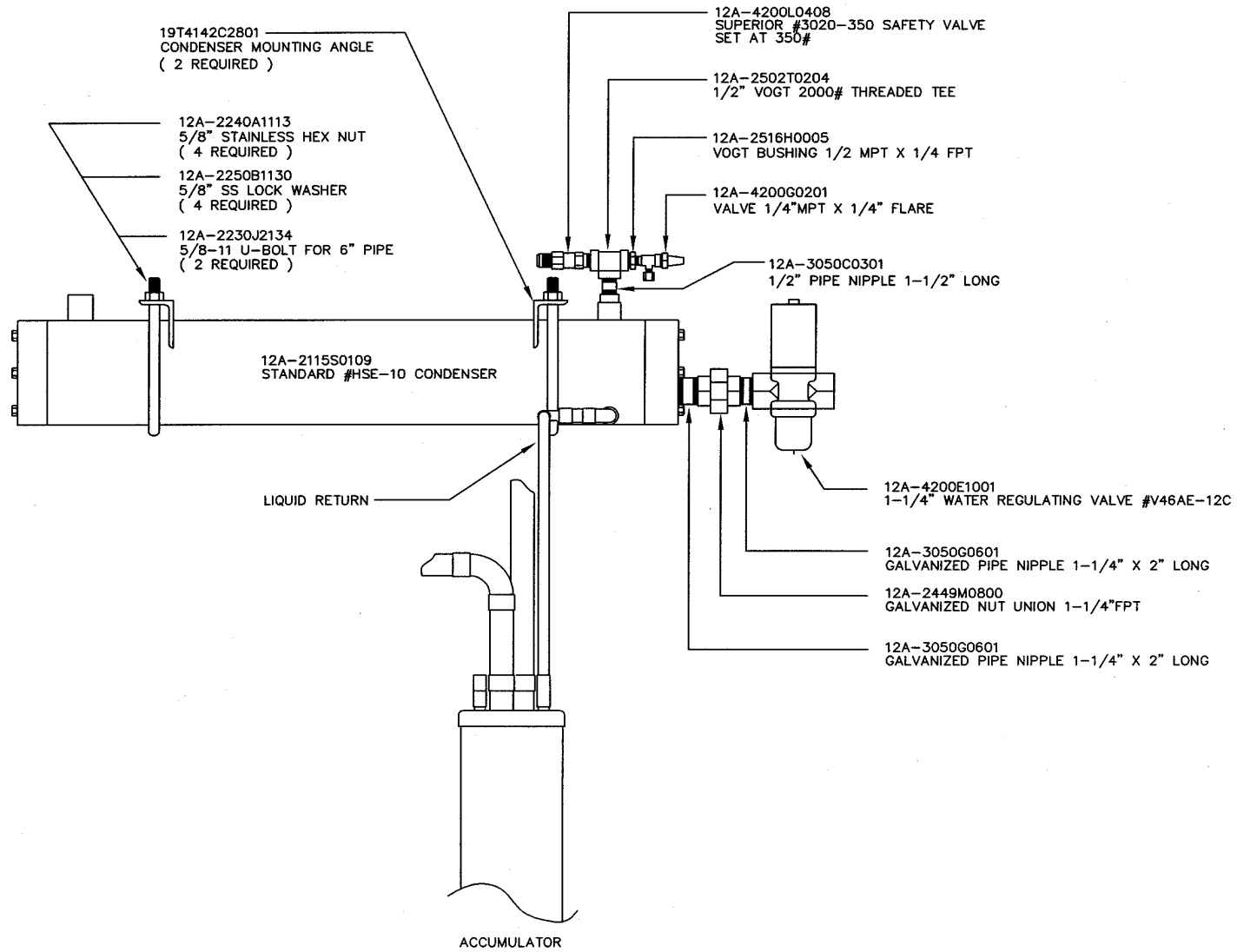
03TA Circulating Water Detail



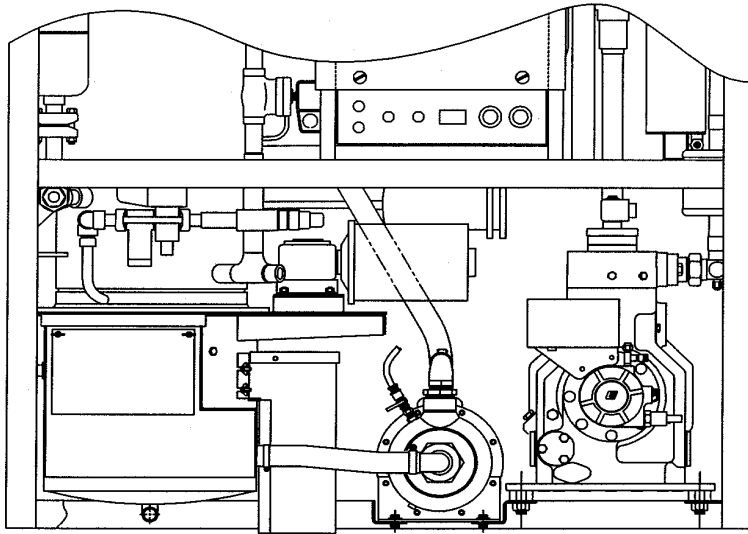
03TA Compressor Parts Detail



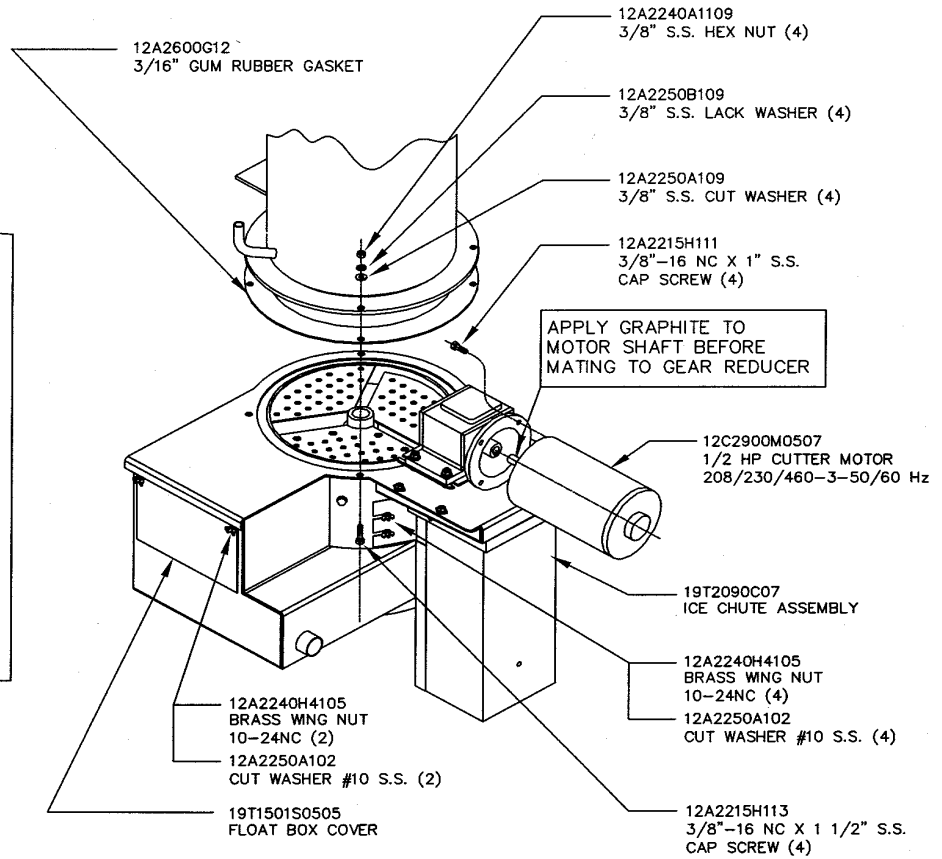
03TA Condenser Parts Detail



03TA Cutter/Tank Detail

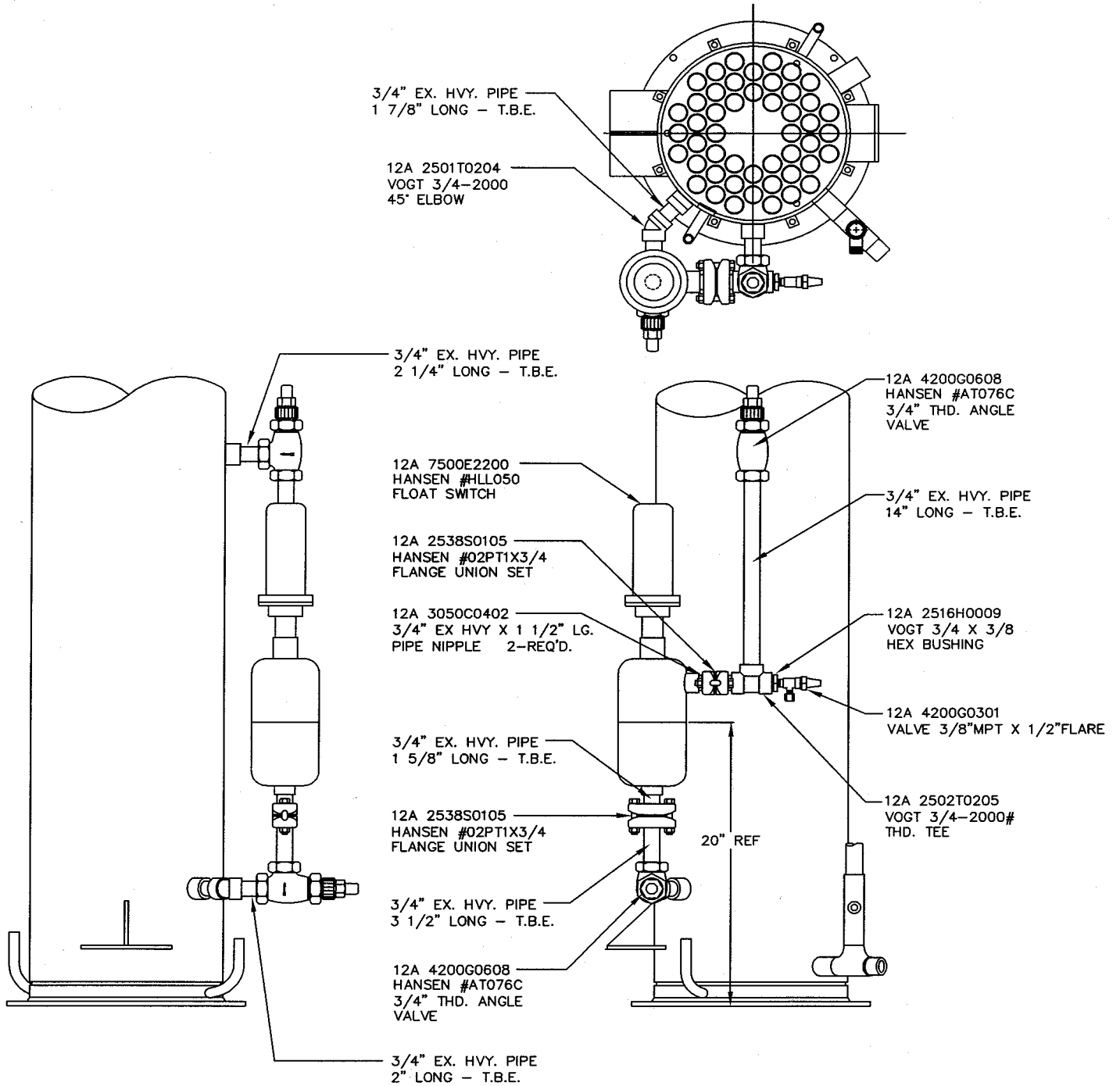


PARTIAL FRONT VIEW
(BLOWDOWN NOT SHOWN)

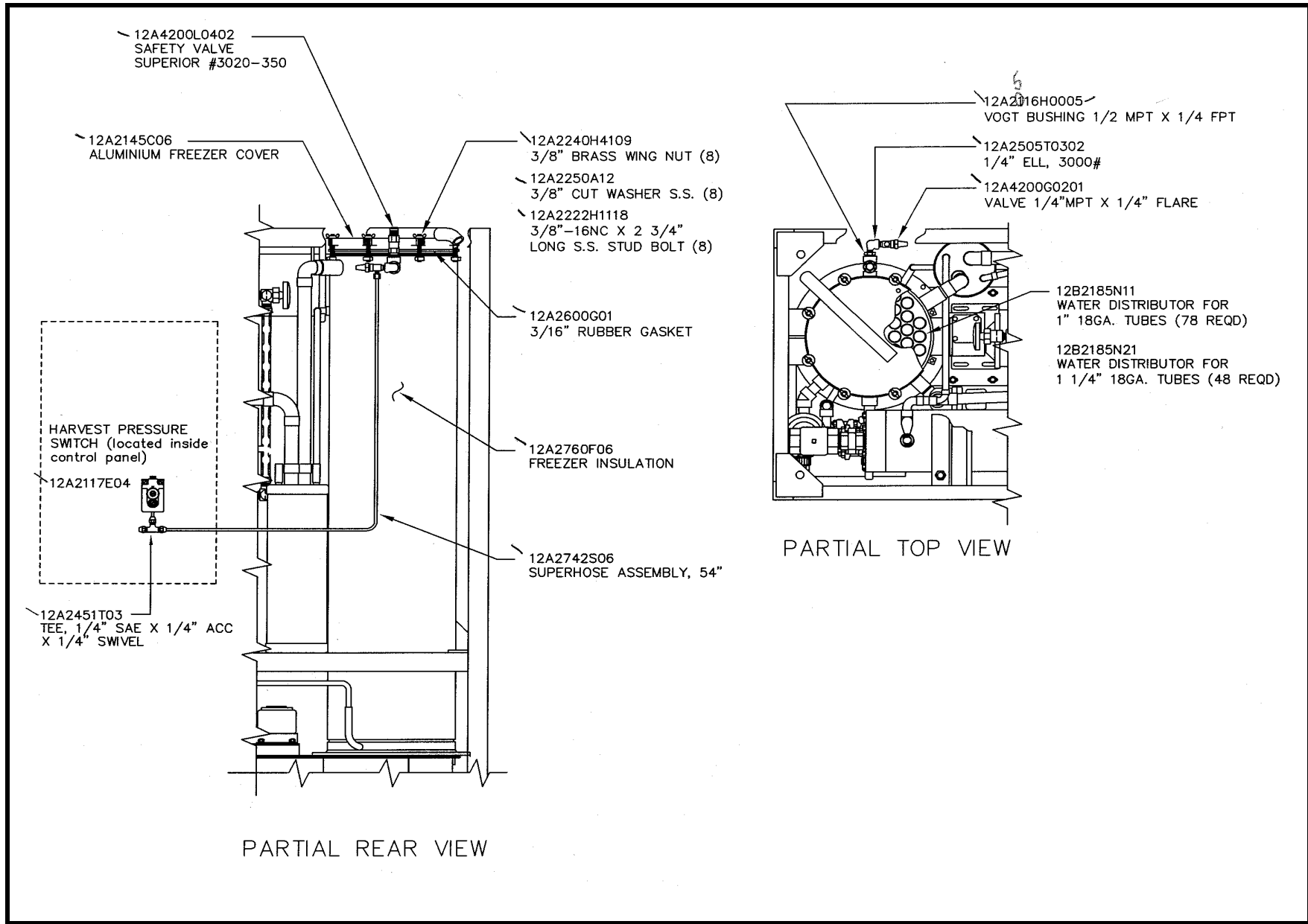


ISOMETRIC VIEW

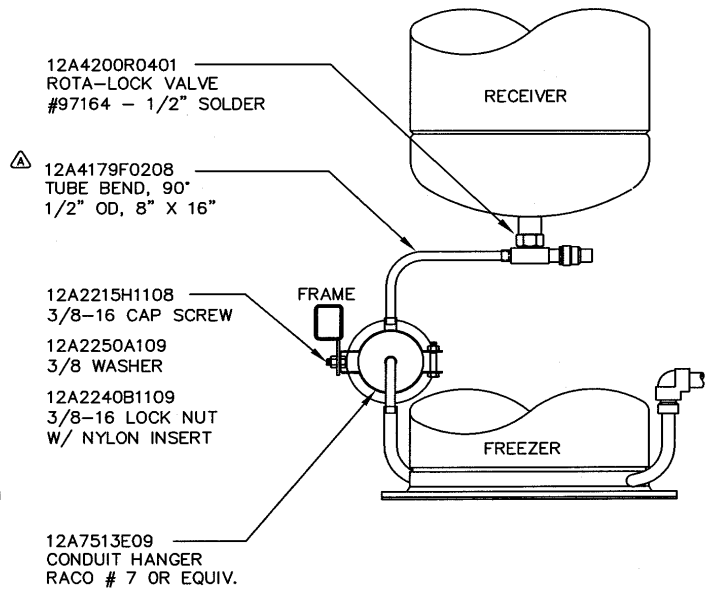
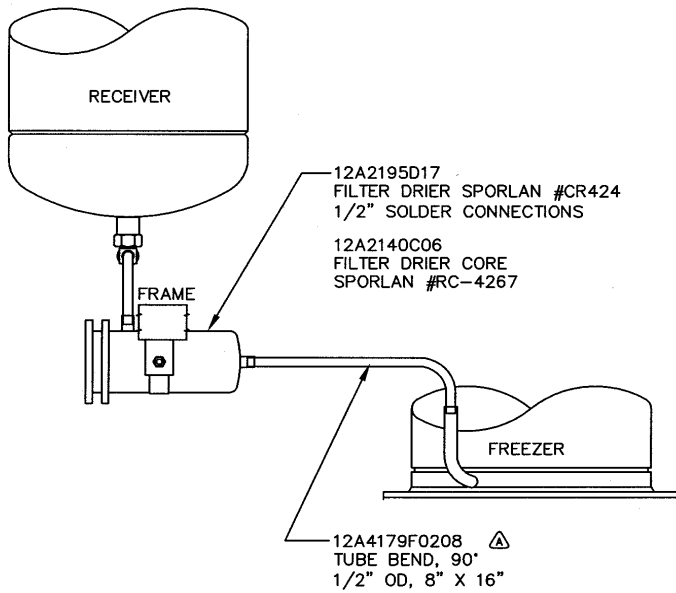
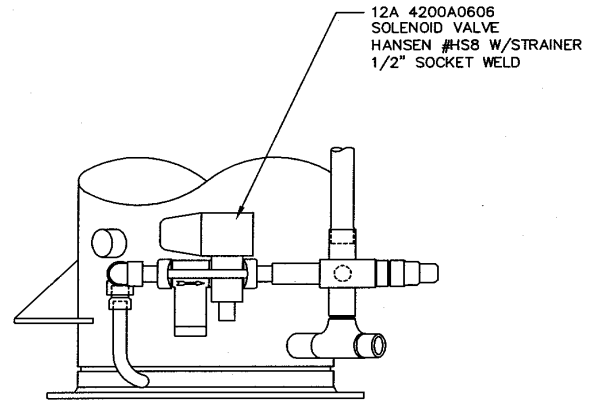
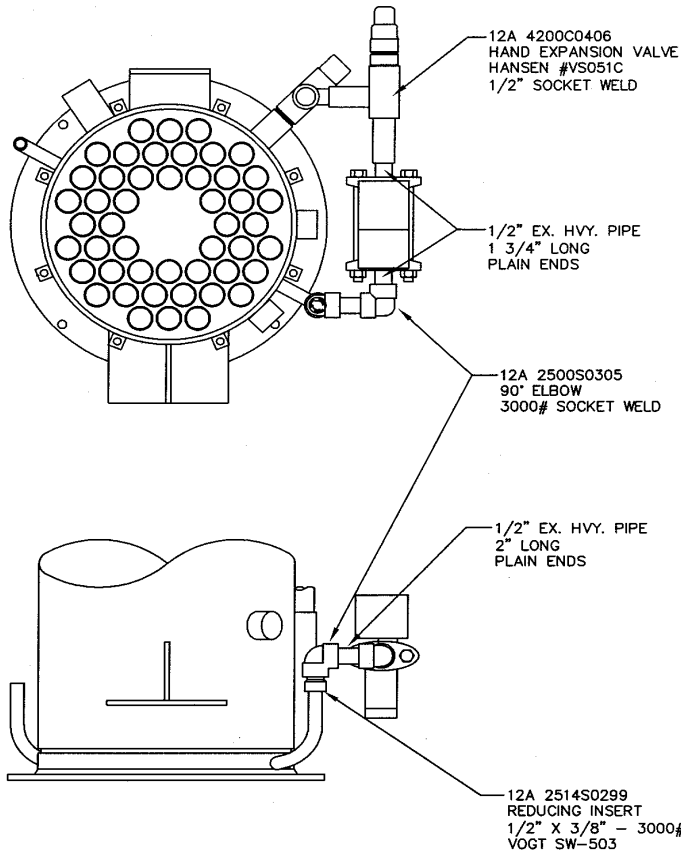
03TA Float Switch Detail



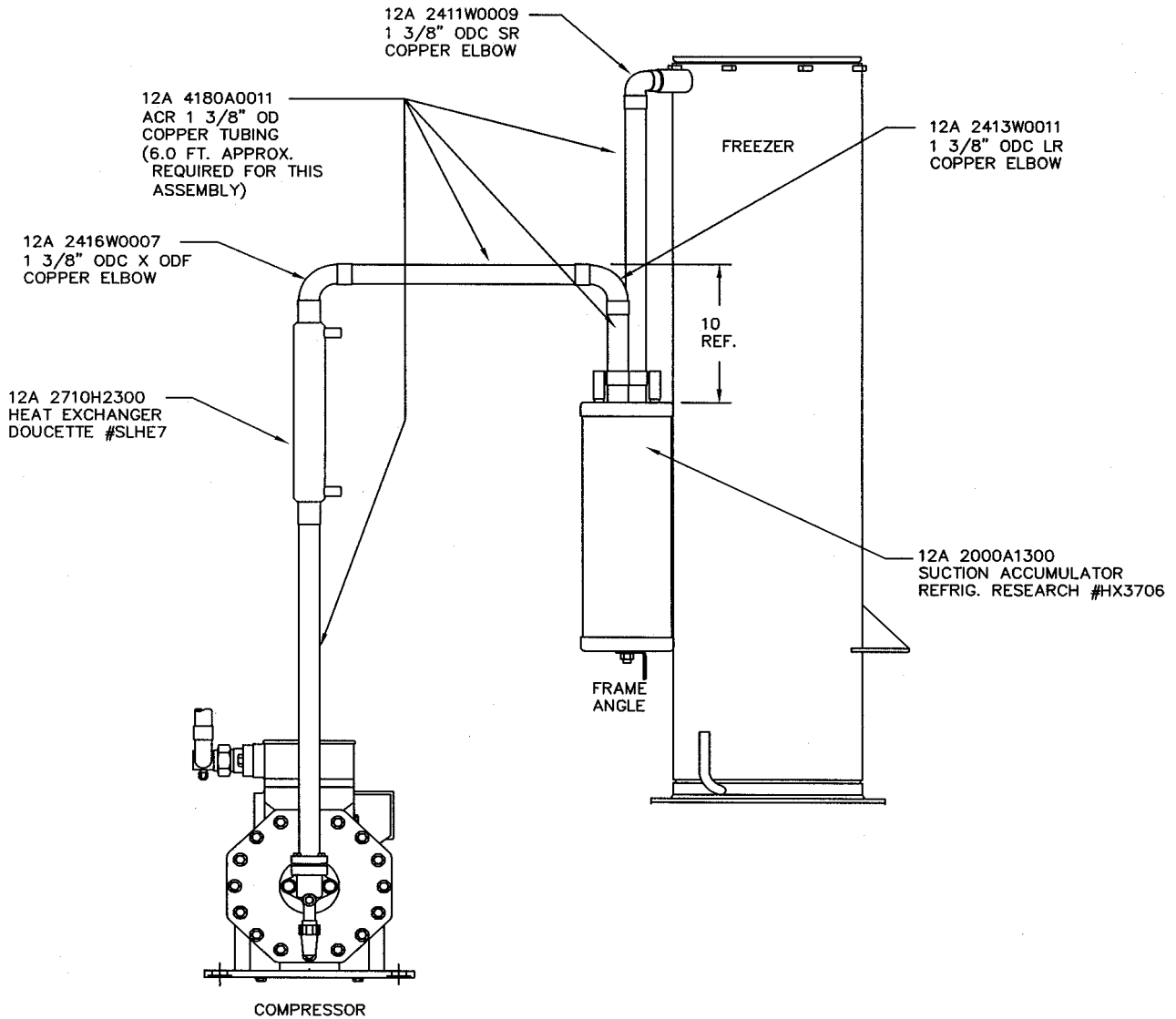
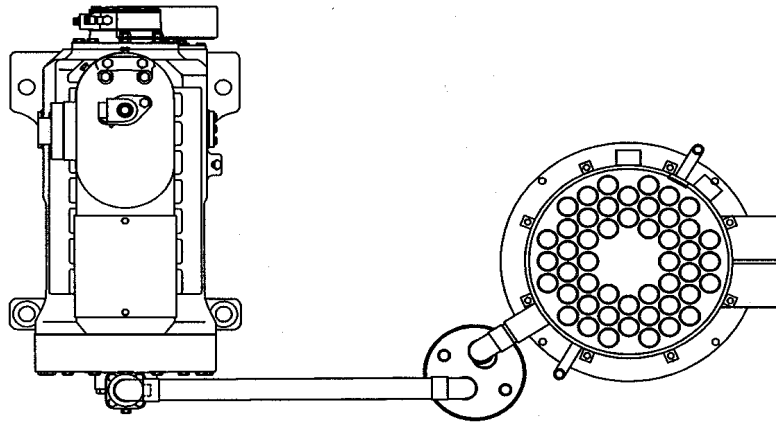
03TA Freezer Parts Detail



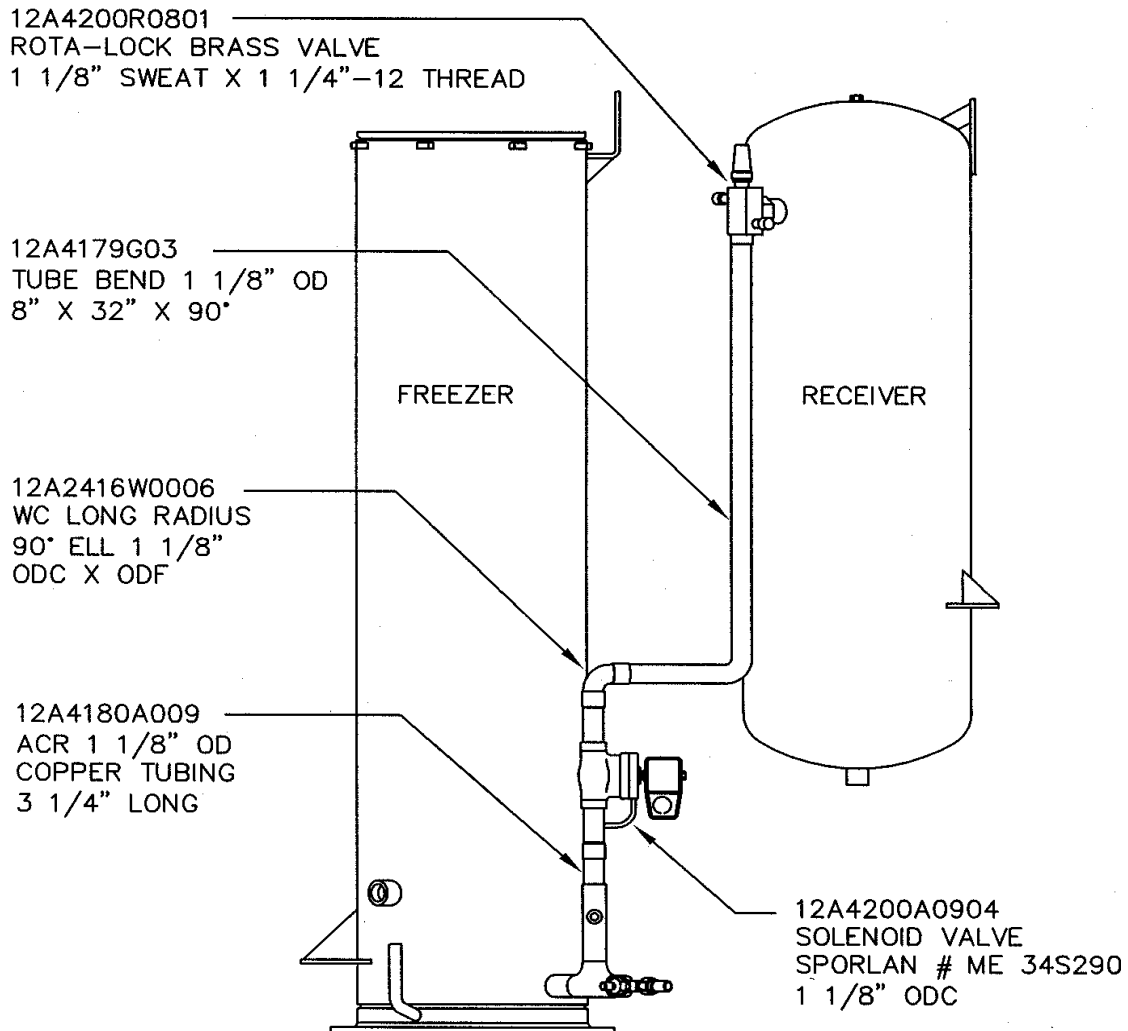
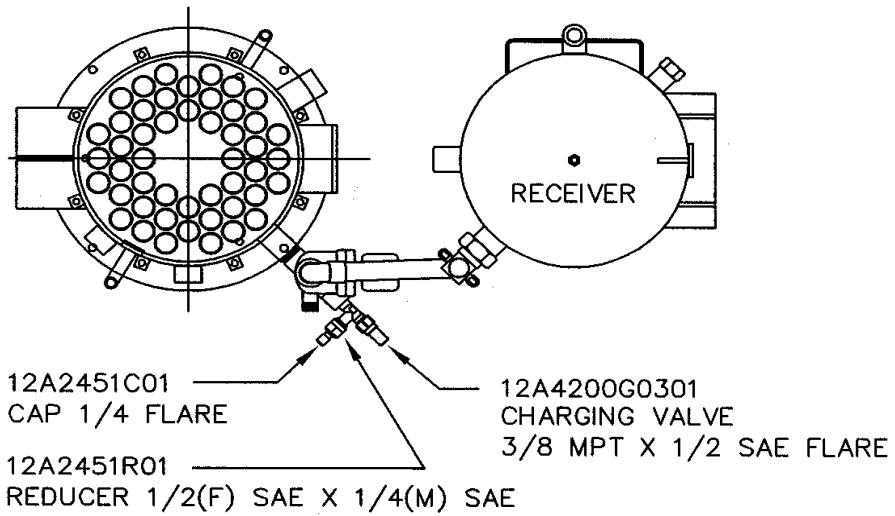
03TA Liquid Line Detail



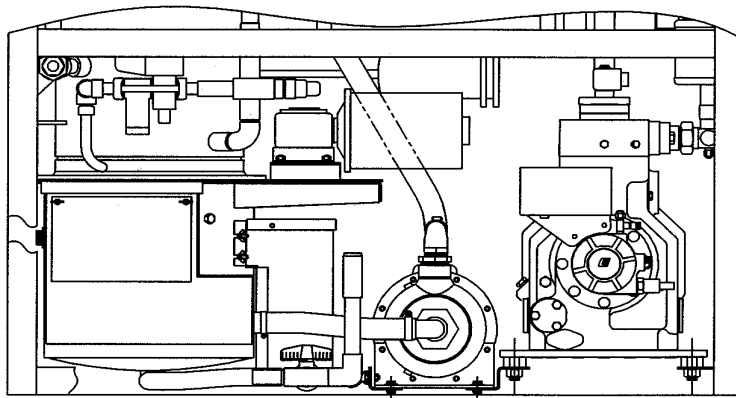
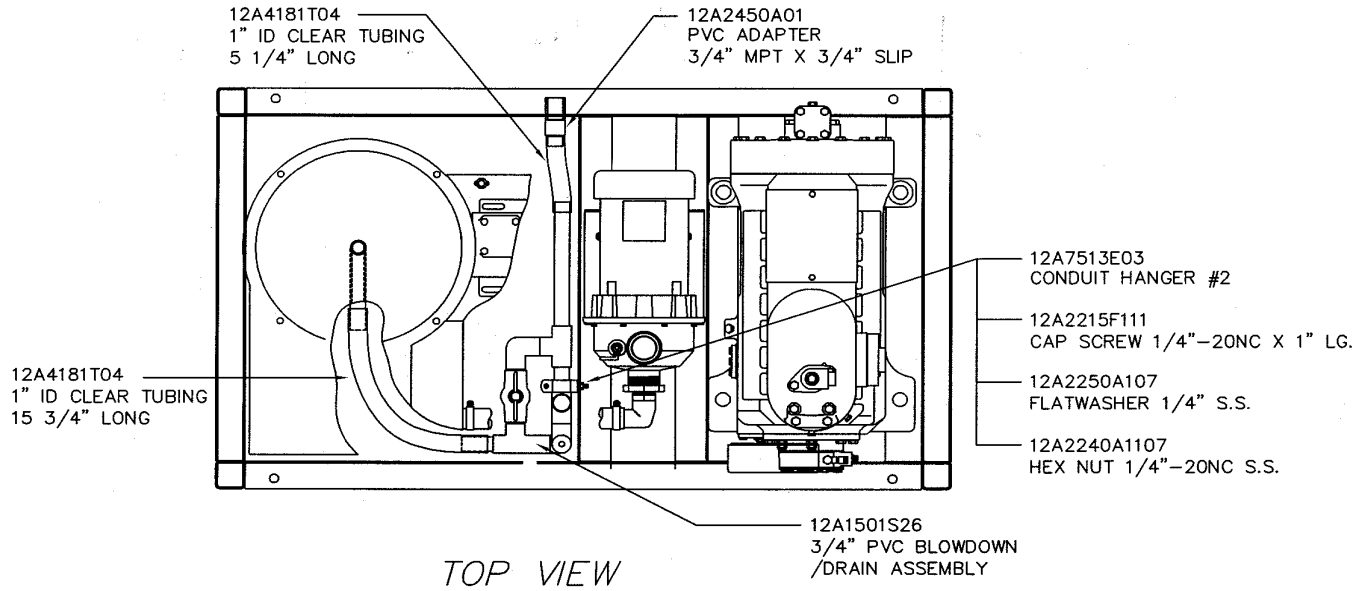
03TA Suction Line Detail



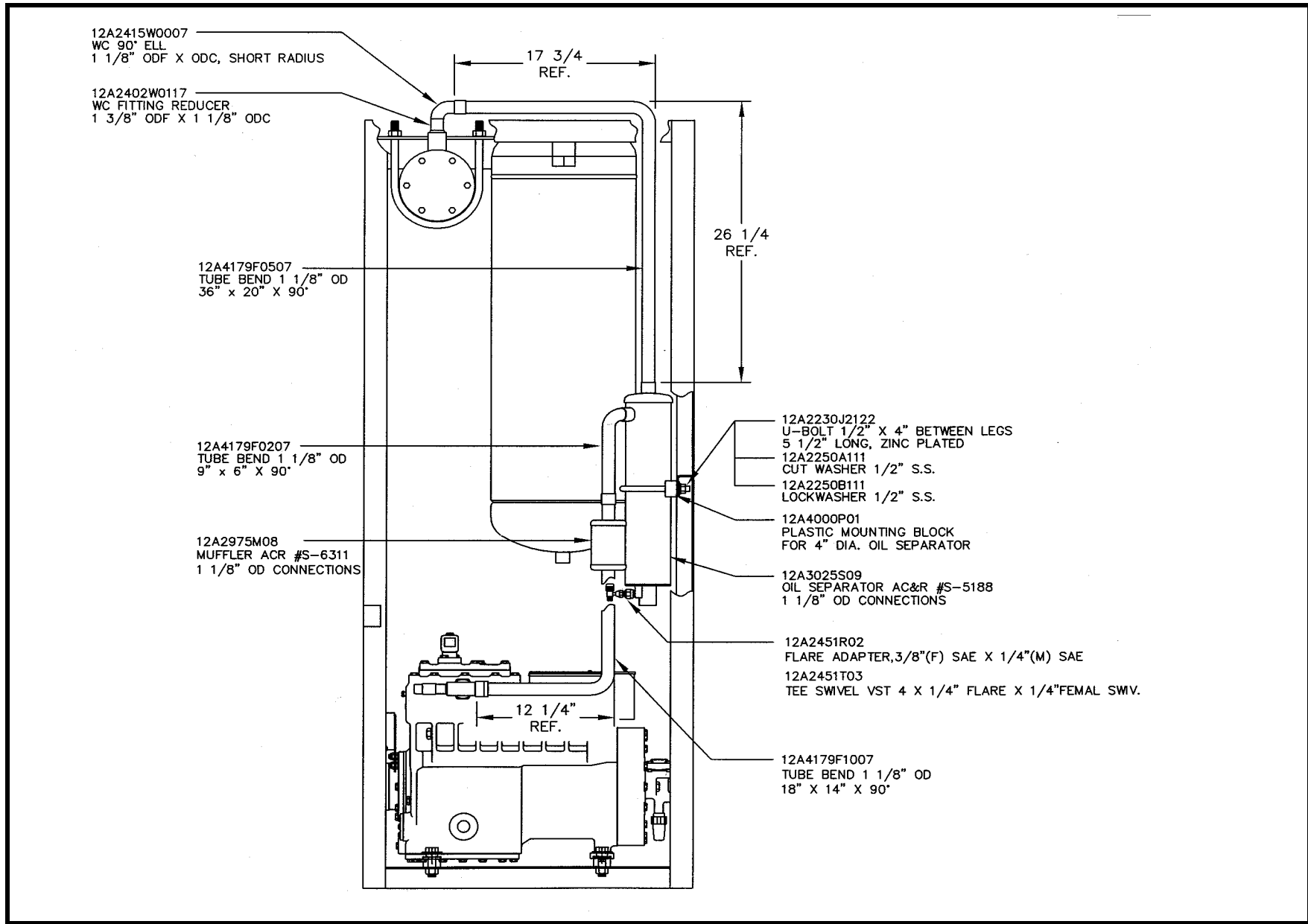
03TA Thawing Gas Line Detail



03TA Water Tank Drain Detail



03TA Water-Cooled Discharge Line Detail



03TA Water-Cooled Liquid Return Detail

