

TURBO ICE MAKING EQUIPMENT

Spacesaver Models 2000 & 4000



Turbo Refrigerating's Spacesaver model ice machines offer numerous features for a variety of uses. The Spacesaver models can meet the needs of hotels/motels, restaurants, hospitals and many other types of institutions that call for high volume, nugget ice harvested in a short amount of time.

Spacesavers deliver dry, hard fragmentary ice that does not fuse together. The simple timer control lets you make the size of ice you need... 1/8" to 3/4" thickness. In addition, the ice sizer is adjustable to fine, medium or coarse, making available a large variety of ice from any Spacesaver model in the line.

The Spacesaver models offer numerous other features and benefits including:

- Turbo Spacesavers set the trend for fragmentary ice. Nugget ice is ideal for table service, mixed drinks, packaged ice sales.
- High volume, hard ice production-automatically controlled from a single timer operation.
- Compact size that fits virtually anywhere. Available with or without companion ice storage bins.
- Turbo heavy-duty ice machines deliver diamond-hard, super-cold long lasting ice.

- Big capacity...Turbo Spacesavers can produce 2,000 lbs or 4,000 lbs of ice each 24 hours, even in 90°F room temperatures and at 70° water input.
- Turbo ice can be more compactly stored and is handled with great ease, has minimum loss from melting, makes table service easier and faster, cools drinks faster and longer...gives exact control over ice-to-drink ratio.
- The simple, easy-to-maintain ice-making system in the Spacesaver requires only five moving parts. This keeps maintenance costs at an extremely low level and helps provide a longer, low maintenance life for the unit.
- The complete harvest is normally accomplished in less than two minutes. No artificial heat to melt the ice is applied. No liquid touches the ice. Ice is harvested hard, dry, ready to use, with no slush.

The Spacesaver unit operates at peak efficiency, without complicated or recurring adjustments. Simplicity of design and operation and stainless steel parts help eliminate major problems. Routine maintenance can be performed without special skills. The self-contained units are completely integrated, wired, charged with refrigerant and carefully shop-tested.



Turbo Refrigerating Company
1815 Shady Oaks Dr.
Denton, TX 76205
817-387-4301

TURBO ICE MAKING EQUIPMENT

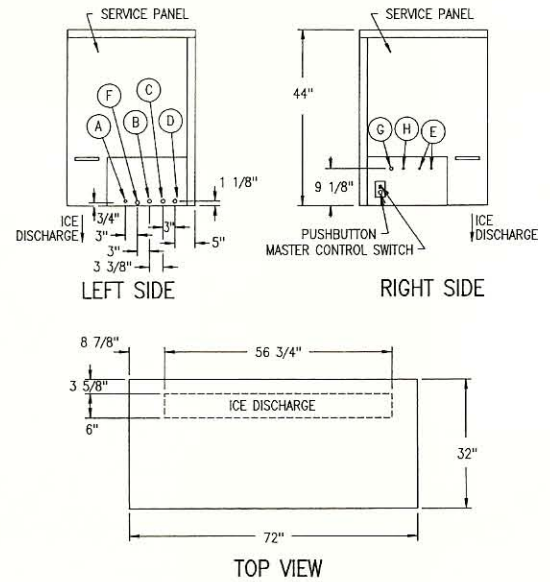
Spacesaver Models 2000 & 4000

SPECIFICATIONS								
Nominal Ice Production	2000 SCW	2000 SCAR	4000 SCW	4000 SCAR				
Lbs. at 90°F Ambient Air & 70°F Freshwater	2,100	2,000	4,000	3,800				
Ice Thickness & Size	1/8" to 11/16" controlled by Timer Gear Racks. The ice-cutting and sizing bar adjustable to fine, medium and coarse. One B-15 Timer Gear Rack for 25-minute ice cycle and 1/2" to 5/8" ice furnished with unit. Additional gear racks available for other ice thicknesses.							
Dimensions and Weights								
Height (Inches)	44	44	50	50				
Width (Inches)	72	72	72	72				
Depth (Inches)	32	32	36	36				
Net Weight (lbs.)	950	1,004	1,300	1,325				
Shipping Weight (lbs.)	1,175	1,229	1,480	1,505				
Exterior Finish	Stainless Steel							
Fresh Water for Defrost								
GPM Flow Rate	3.00	3.00	6.00	6.00				
Gallons Per Ice Cycle	6.25	6.25	12.5	12.5				
Min. Water Temperature	65°F	65°F	65°F	65°F				
Min Water Pressure	20 PSI	20 PSI	20 PSI	20 PSI				
Freshwater Connection In	3/4" MPT	3/4" MPT	1" MPT	1" MPT				
Overflow Drain	1" IPS	1" IPS	1 1/4" IPS	1 1/4" IPS				
Electrical (Based on 230V)								
	HP	AMPS	HP	AMPS	HP	AMPS	HP	AMPS
Compressor	7.2	3.0	7.2	3.0	12.5	6.3	12.5	6.3
Cutting Bar	1 1/2	4.8	1 1/2	4.8	1 1/2	4.8	1 1/2	4.8
Recirculating Water Pump	1/6	1.2	1/6	1.2	1/4	1.7	1/4	1.7
Condenser (SCW Models)								
Nominal Water Flow, City or Well	5 GPM		14 GPM					
Water Connections In and Out	1" MPT		1 1/4" MPT					
Min. Water Pressure	25 PSI		40 PSI					

* NSF - Approved ice bins available up to 4000 lbs ice capacity.

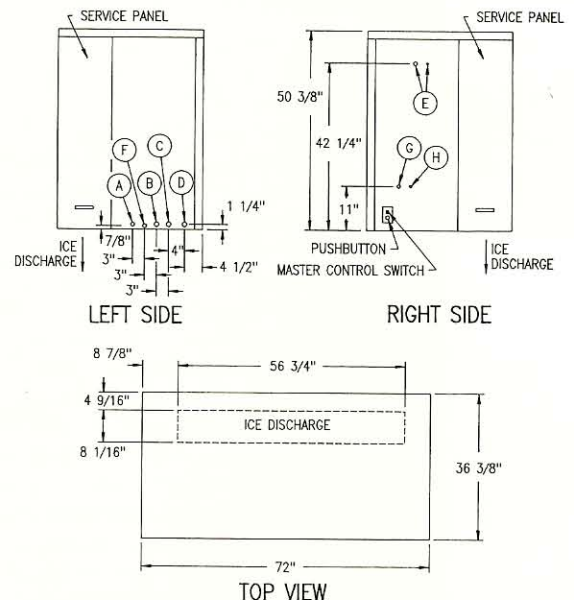
Turbo Refrigerating reserves the right to change any specifications without notice.

Model 2000 - One Ton Ice Maker



- A. 3/4" MPT-Make up fresh water
- B. 1" IPS-Overflow drain
- C. 1" MPT-Condenser water in (SCW only)
- D. 1" MPT-Condenser water out (SCW only)
- E. Conduit connections: 1/2" 3-phase • 1/2" control
- F. 1" FPT-Pan drain
- G. 7/8" Discharge to condenser (SCAR only)
- H. 1/2" liquid from receiver (SCAR only)

Model 4000 - Two Ton Ice Maker



- A. 1" MPT fresh water inlet
- B. 1 1/4" IPS Overflow drain
- C. 1 1/4" MPT Condenser water inlet (SCW only)
- D. 1 1/4" MPT Condenser water outlet (SCW only)
- E. Conduit connections: 1" 3-phase • 1/2" control
- F. 1" IPS-Pan drain
- G. 7/8" Discharge to condenser (SCAR only)
- H. 5/8" liquid from receiver (SCAR only)



Turbo Refrigerating Company
1815 Shady Oaks Dr.
Denton, TX 76205
817-387-4301