

P24FL

Vogt Tube-Ice Machines



Standard Features

- 3 Ice Sizes:
7/8", 1 1/8", 1 3/8" diameter
- Up to 25 tons per day
- 25 Year Lifetime Factory Warranty*
- Stainless Steel Water Pump with TEFC Motor
- R22 Refrigerant
- Factory Tested and Certified
- Easily Maintained Stainless Steel Cutter and Water Tank
- Controls U.L. Approved
- High Energy Efficiency

Options

- Stainless Steel Shell
- PLC Ready
- Crushed Ice

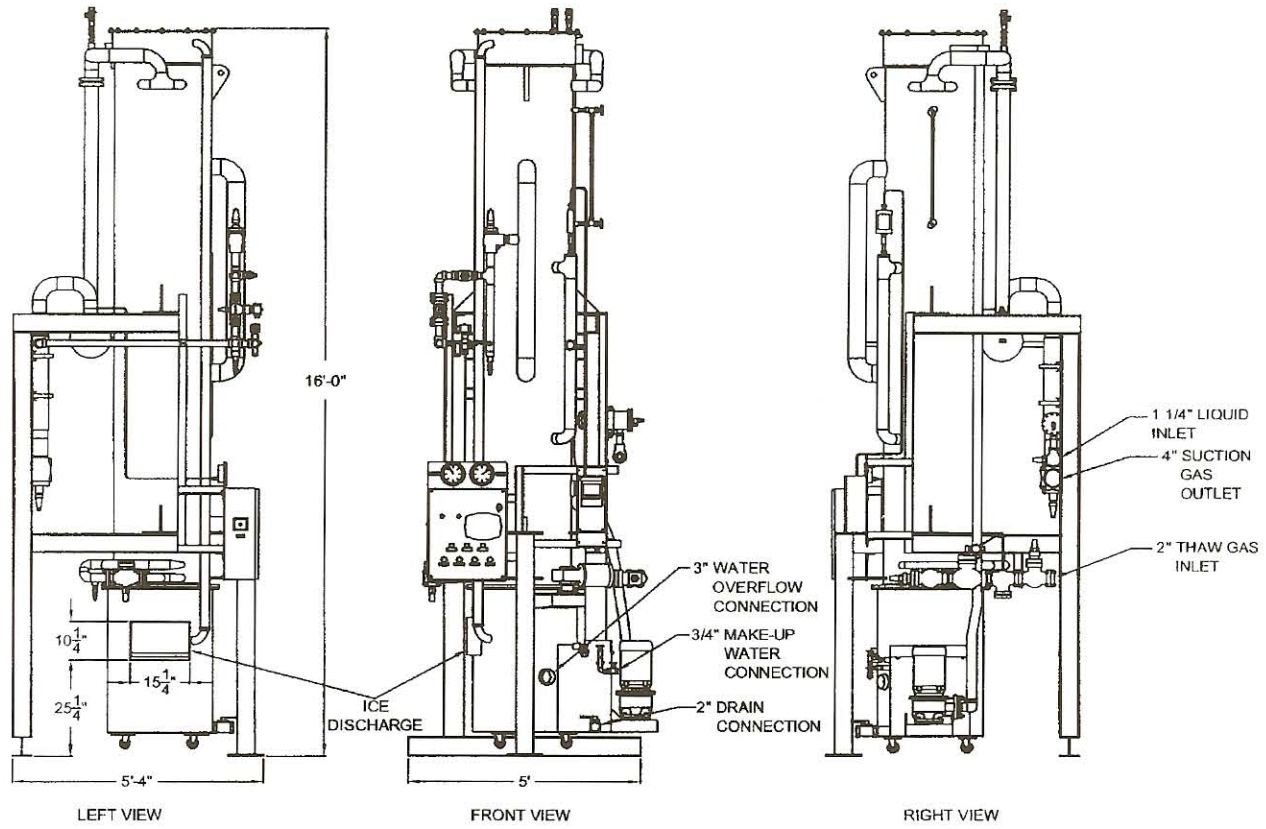
*Please see your dealer for details.

Vogt
Tube-Ice

Vogt Ice, LLC
1000 West Ormsby Ave., Louisville, KY 40210
Sales: 800-853-8648, Phone: 502-635-3000
Sales Fax: 502-634-0479
E-mail: info@tubeice.com
Website: www.tubeice.com

VOGT TUBE-ICE[®] MACHINES

Model P24FL



SPECIFICATIONS												
MODEL P24FL (R-22 Refrigerant)												
STANDARD CAPACITY, TONS PER 24 HOURS												
WATER TEMP.	7/8" DIA. ICE			1 1/8" DIA. ICE			1 3/8" DIA. ICE					
80 °F	24.0			22.5			20.2					
70 °F	25.5			23.7			21.3					
60 °F	27.0			25.1			22.6					
50 °F	28.0			26.6			24.0					
WEIGHT (LBS)	OPERATING: 8,000 SHIPPING: 6,200			OPERATING: 8,000 SHIPPING: 6,200			OPERATING: 8,000 SHIPPING: 6,200					
STANDARD ELECTRICAL REQUIREMENTS	230 V, 3P, 60 Hz - 460V, 3P, 60 Hz - 400V, 3P, 50 Hz (OPTIONAL ELECTRICAL ARRANGEMENTS ON REQUEST)											
CAPACITY TABLE, TONS PER 24 HOURS (AT SUCTION TEMPERATURE °F)												
WATER TEMPERATURE	0			5			15			20		
	7/8"	1 1/8"	1 3/8"	7/8"	1 1/8"	1 3/8"	7/8"	1 1/8"	1 3/8"	7/8"	1 1/8"	1 3/8"
80 °F	31.0	29.4	26.5	28.0	26.5	23.9	19.5	18.2	16.3	14.5	13.6	12.2
70 °F	33.0	30.9	27.8	29.5	27.9	25.2	21.0	19.2	17.2	16.0	14.4	12.9
60 °F	34.5	32.6	29.4	31.0	29.5	26.6	22.0	20.3	18.3	17.0	15.3	13.7
50 °F	36.0	34.4	31.1	32.5	31.2	28.2	23.0	21.6	19.5	18.0	16.3	14.6

NOTE: STANDARD CAPACITY BASED ON SUCTION TEMPERATURE OF 10 °F AND AN AMBIENT (AIR) TEMPERATURE OF 90 °F

Vogt reserves the right to change designs and specifications without notice.



Vogt Ice, LLC
 1000 West Ormsby Ave. - Suite 19
 Louisville, KY 40210-1810
 Sales: 800-853-8648
 Phone: 502-635-3000
 Sales Fax: 502-634-0479
 E-mail: info@vogtice.com
 Website: www.vogtice.com