

Vogt Tube - Ice machines P24AL

In 1938, Vogt Ice revolutionized the ice making industry by introducing the world's first automatic sized icemaker. Today, Vogt Tube-Ice machines enjoy a well-earned reputation as the most energy efficient, dependable ice machines on the market.

Heavy-duty industrial construction, automatic operation, and the best warranty in the business make the Vogt ice machines the only "clear" choice for your ice making needs.

Three Ice Sizes Available:

- Cylinder (Tube-Ice)
 - 7/8" Diameter X 1" long
 - 1 1/8" Diameter X 1" long
 - 1 3/8" Diameter X 1" long

P24AL Features:

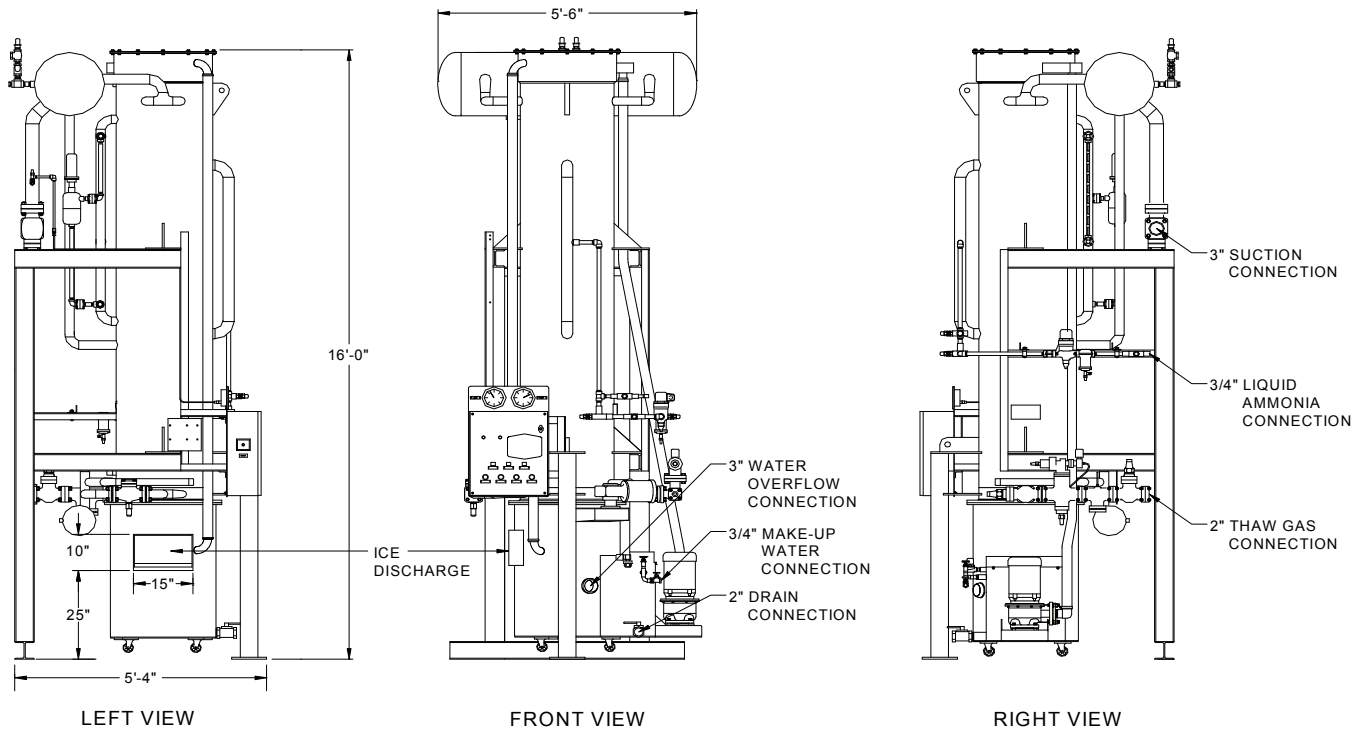
- 25 Year Life expectancy
- Up to 25 tons per day
- 25 Year evaporator warranty
- Stainless Steel Water Pump with TEFC Motor
- Manufactured in accordance with the A.S.M.E. code
- Ammonia Refrigerant
- Controls U.L. Approved
- Factory Tested and Certified
- High Energy Efficiency

Options:

- All Stainless Steel Construction
- PLC Controls
- Crushed Ice



Vogt® Tube-Ice Machines



SPECIFICATIONS

MODEL P24AL (Ammonia Refrigerant)

STANDARD CAPACITY, TONS PER 24 HOURS

WATER TEMP.	7/8" DIA. ICE	1 1/8" DIA. ICE	1 3/8" DIA. ICE
80 °F	24.0	27.0	20.2
70 °F	25.3	28.5	21.4
60 °F	26.8	30.2	22.7
50 °F	28.4	32.0	24.2
WEIGHT (LBS)	OPERATING: 6,660 SHIPPING: 5,800	OPERATING: 7,060 SHIPPING: 6,200	OPERATING: 7,060 SHIPPING: 6,200
STANDARD ELECTRICAL	230 V, 3P, 60 Hz - 460V, 3P, 60 Hz - 400V, 3P, 50 Hz (OPTIONAL ELECTRICAL ARRANGEMENTS ON REQUEST)		

CAPACITY TABLE, TONS PER 24 HOURS (AT SUCTION TEMPERATURE °F)

WATER TEMPERATURE	0			5			15			20		
	7/8"	1 1/8"	1 3/8"	7/8"	1 1/8"	1 3/8"	7/8"	1 1/8"	1 3/8"	7/8"	1 1/8"	1 3/8"
80 °F	31.1	36.0	27.3	27.8	31.8	23.8	19.9	22.0	16.3	15.2	16.5	12.1
70 °F	32.6	37.9	28.8	29.2	33.4	25.2	21.0	23.2	17.3	16.2	17.5	12.9
60 °F	34.3	39.9	30.5	30.7	35.2	26.7	22.3	24.7	18.4	17.2	18.6	13.8
50 °F	36.1	42.2	32.4	32.4	37.3	28.4	23.7	26.3	19.6	18.4	19.9	14.7

NOTE: STANDARD CAPACITY BASED ON SUCTION TEMPERATURE OF 10 °F AND AN AMBIENT (AIR) TEMPERATURE OF 90 °F

Vogt reserves the right to change designs and specifications without notice.

Operating Conditions:

The ice machine shall not be subjected to an atmospheric temperature lower than 50 °F nor higher than 90 °F without effect on performance. Water for condensing and for ice making purposes shall be non-corrosive.

The water shall be at a constant pressure not less than 30 lbs. at the ice machine location. The condition of the water to make satisfactory ice shall be the responsibility of the purchaser.



Vogt®
TubeIce | Turbo
Engineered to Endure

Vogt Ice, LLC
 1000 West Ormsby Ave.,
 Louisville KY 40210
 Phone: 502-635-3000
 E-mail: info@vogtice.com