

**Voigt®**  
**Tube Ice | Turbo**



**Full Line of Equipment & Products**

**Tube-Ice • Fragmented Ice • Flake Ice • Falling Film Chillers • Bulk Ice Storage**



## Modular Fragmented Ice Systems

### Feature

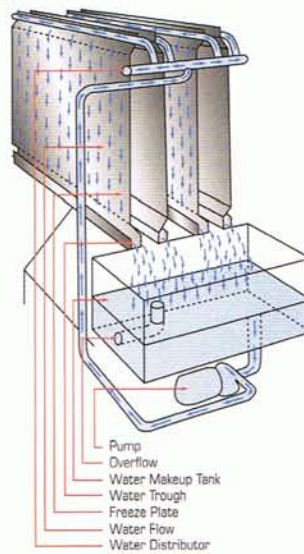
- 17 ton MCL or 28 ton MHG low side modules
- Interconnecting configuration
- Modular design offers flexibility in location
- Shorter lead time with units in inventory
- R-717, R-404a, R-507 refrigerants
- Fragmented or Flake Ice
- MCL (Modular C Line) and MHG (Modular Hot Gas)

### Benefit

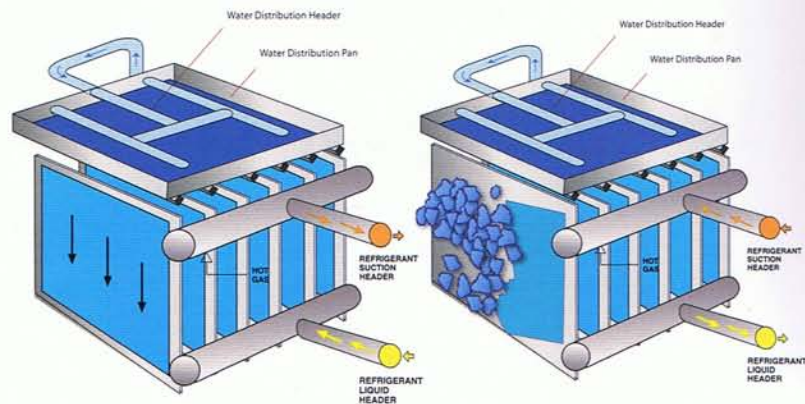
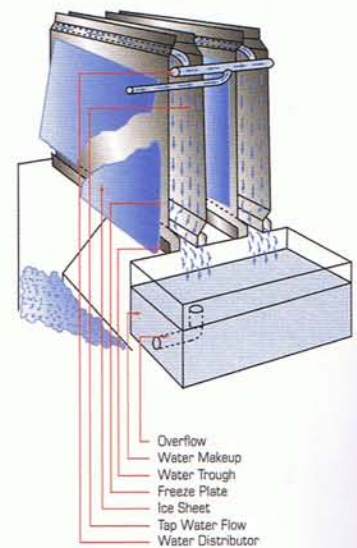
- Lower cost per ton of ice
- Best match to capacity needs
- Ease of capacity expansion
- Greater options of ice maker location
- Better suited for time sensitive projects
- Cost sensitive solution
- Quicker build cycle than Turbo custom equipment

The Vogt Ice Modular Fragmented Ice System features increased flexibility for customers while retaining the key operational and efficiency advantages that have been the trademark of the Turbo fragmented ice technology.

### ICE MAKING



### ICE HARVESTING



### LEGEND

WATER

ICE

REFRIGERANT GAS

REFRIGERANT LIQUID

# Vogt Tube-Ice Machines



## VT Series Cracked-Ice Machines

- 3 to 5 tons/day of cracked-ice
- Self-contained 404a skid mounted air-cooled condensing unit
- PLC controls
- Polyethylene water pan and water distribution system
- Low side only
- Hot gas harvest



## Turbo Ice Sizers

- Up to 1,000 lbs./min. production rate
- Sanitary stainless steel



## Cutterless Water Tank



## P112, P118 & P18XT Vogt Tube-Ice Machines

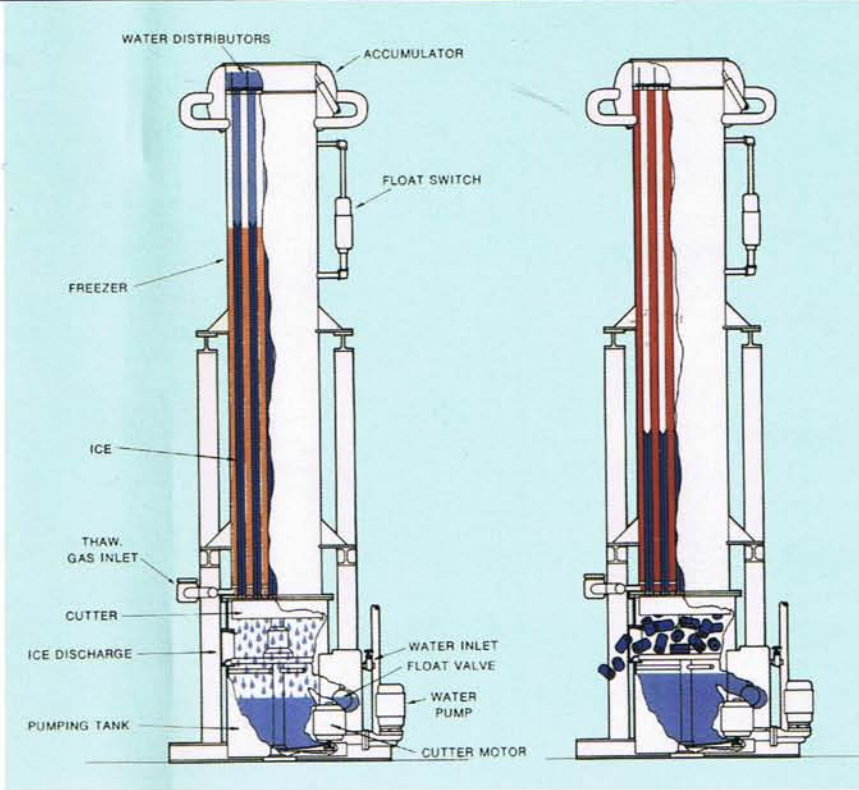
3-10 tons/day of cylindrical tube-ice

- 404a refrigerant
- Water-cooled or air-cooled
- Crushed-ice available with optional conversion kit
- Patented water distribution
- Hot gas harvest

## P18AL, P24AL/FL Vogt Tube-Ice Machines

10 to 25 tons/day of cylindrical tube-ice





*OPTIONS:  
CE Approval  
Stainless Steel  
Galvanized  
Catwalks*

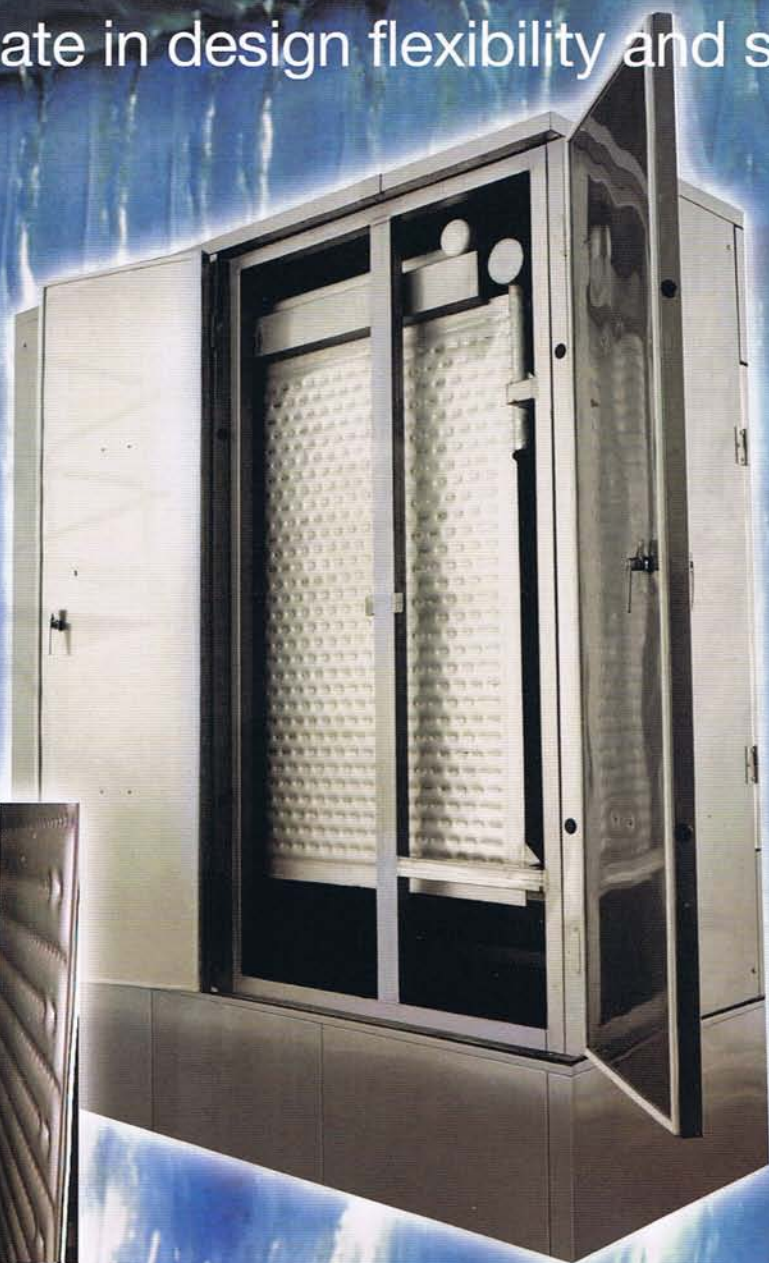


### **P18AL, P24AL/FL, P34A/FL, P34AL/FL-15, P-42 Vogt Tube-Ice Machines**

- 50 to 100 tons/day of cylindrical tube-ice
- 60 to 125 tons/day of fragmented cutterless tube-ice
- Low side only
- Ammonia or 404a refrigerant
- Flooded or recirculated liquid
- Hot gas harvest
- Patented water distribution
- 300 psig design operating pressure

# Turbo Chiller

The ultimate in design flexibility and sanitation



- Factory passivation to minimize corrosion in aggressive environments
- Five plate sizes for economical sizing
- Plates double seal welded
- R-717, R-507, R-134a, R-404a and Glycol refrigerants
- Design pattern for minimal pressure drop—maximum U value
- Enclosed refrigerant headers to ease installation and reduce condensate
- Chiller not damaged by freeze-ups like a plate and frame configuration
- Insulated panels with top and end access for cleaning
- Uninsulated available
- Inner panel liners impervious to corrosion
- 20+ chiller sump sizes
- Cool fluids to 1° of Freeze Point
- Max temp drop in single pass

# Bulk Ice Storage/Rakes, Parts & Service

## Turbo Auto Rake

- Automatic bulk ice storage system
- 100 to 400 tons of ice stored
- Delivery rates up to 40 tons per hour
- Direct drive
- Sanitary poly chain and sprockets
- PLC controls

## Turbo CB Rake

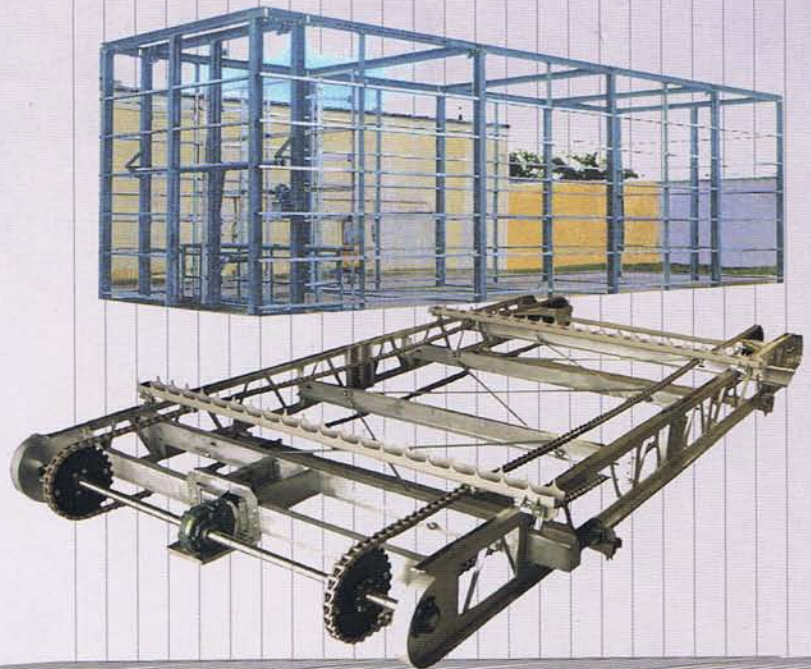
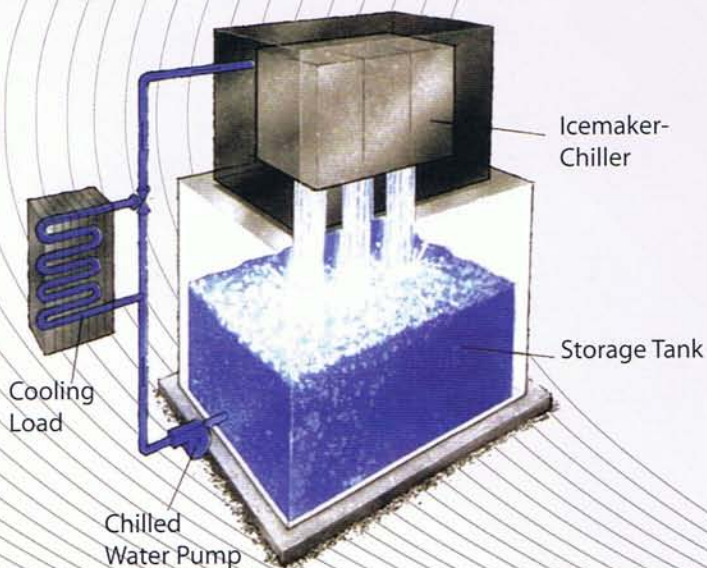
- Complete bin ice storage system
- 6 to 87 tons of bulk ice stored
- Delivery rates up to 23 tons per hour
- Direct drive
- Sanitary poly chain and sprockets
- PLC controls

## Thermal Energy Storage

- Industrial cooling for dairies, bakeries, beverage bottling, manufacturing space conditioning, concrete cooling
- Comfort cooling for district cooling systems, airport terminals, auditoriums and churches
- Turbine inlet cooling

### Features & benefits:

- Off peak cooling generation using low cost energy—avoids 'on peak' demand charges and energy
- Low temperature water supply (33° F /1°C) to cooling loads
- Instantaneous cooling discharge for peak cooling requirements
- Ice stored separate from ice making surface
- Stainless steel ice making plate is super efficient chiller



OPTIONS: HDPE Bin Liner  
Stainless Steel Components

## Vogt Ice® offers the best in parts and service:

- Full line of replacement parts in stock
- Emergency parts service
- Factory Start-ups

# Vogt®

## Tube Ice | Turbo Engineered To Endure.

Vogt Ice, LLC

1000 West Ormsby Ave., Louisville KY 40210

Sales: 800-853-8648, Phone: 502-635-3000

Sales Fax: 502-634-0479

E-mail: [info@vogtice.com](mailto:info@vogtice.com)

Website: [www.vogtice.com](http://www.vogtice.com)