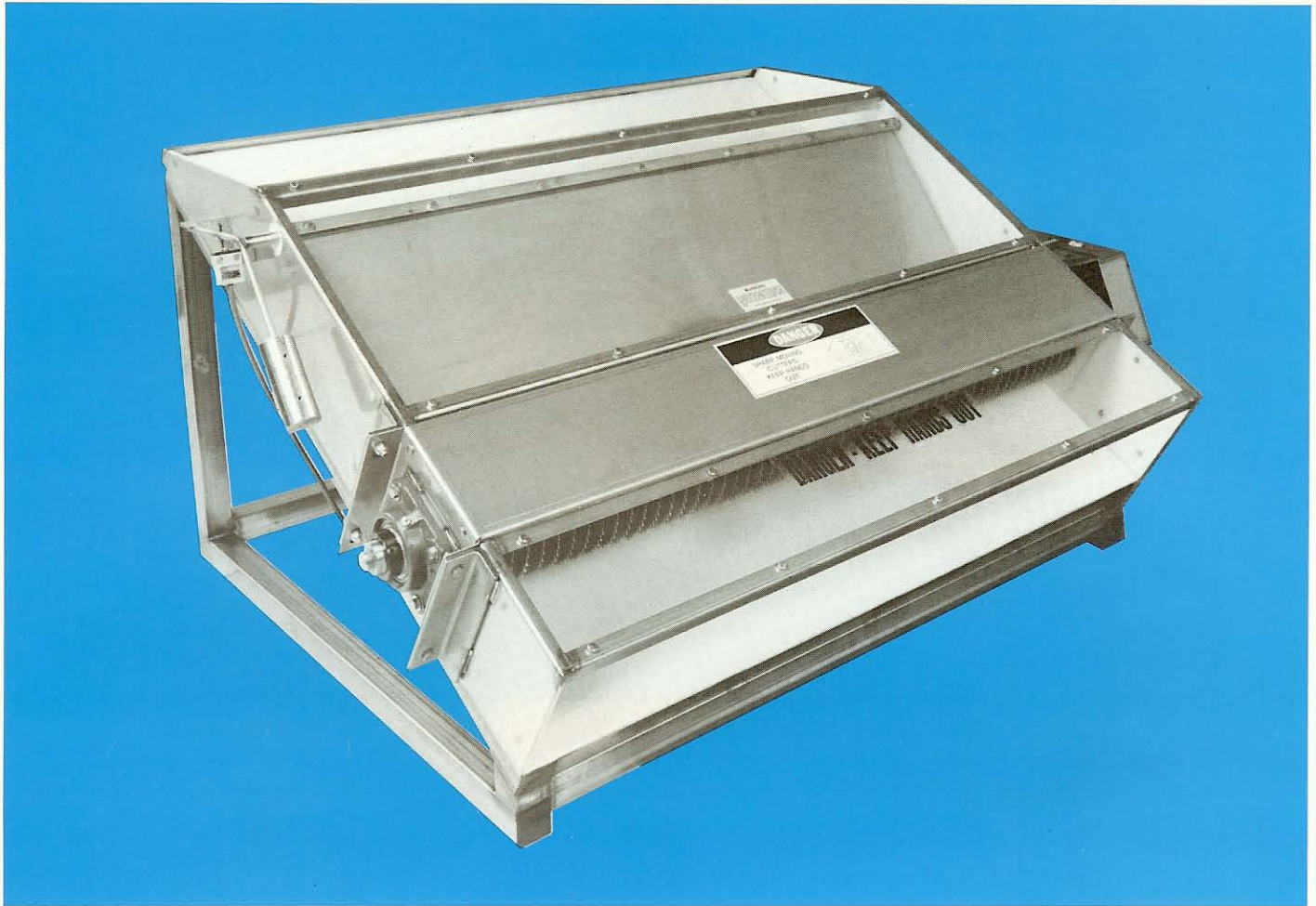


# TURBO

## ICE SIZER



## Cold Cuts

### THE ALL NEW CONCEPT FOR ICE SIZING.

Now Turbo offers an all new ice sizer that can increase your bag count by significantly reducing snow. Higher production rates because of a much drier end product. With drier ice you get less waste, a more sellable product in the bag.

Combine this benefit with better product uniformity for more accurate bag weight and bag stacking, and you can quickly see how this new cutting concept can help make money for you.

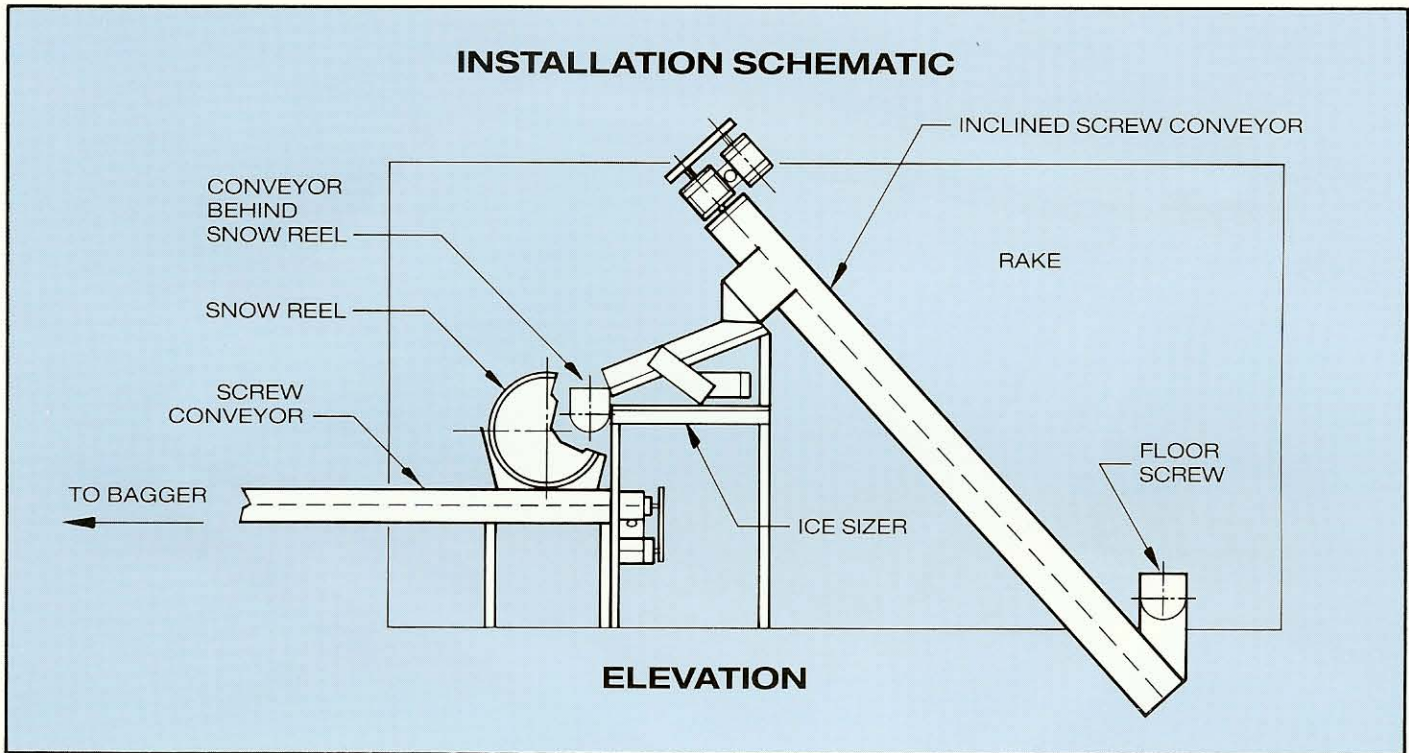
There's more. Check out these other cost-effective features:

- High capacity. Can handle up to 1000 pounds per minute.
- Rugged construction. Sanitary Stainless Steel and UHMW construction fights corrosion.
- Economical to operate. Uses a minimum of power.
- Compact. Easy to install.
- Less moving parts. Means less trouble. No breaker bars and the problems of maintenance and component replacement.
- Sized ice works better in drink dispensers. Uniform blade spacing assures even sizing. Evenly proportioned ice with a minimum of snow results in more product for more profits.



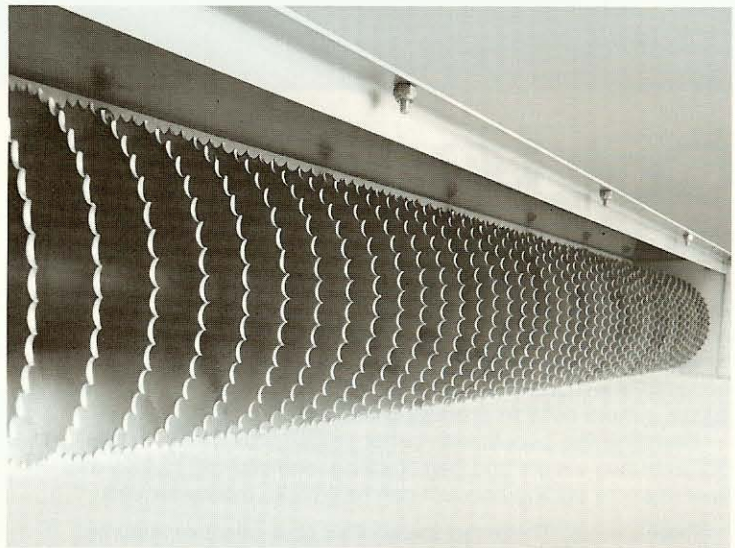
# TURBO

## ICE SIZER



## Specifications

- Overall Dimensions 66" long  
46" wide  
30" high
- 2 Horsepower Slow Speed Chain Drive
- 7/8" Blade Spacing
- 52" active cutting width
- Up to 1000 lbs/min — production rate
- All stainless steel/UHMW construction
- Net weight 550 pounds.



Cutter blades. Blade teeth are stainless steel that act as rotating ice picks. They score the ice, not saw it. Result . . . clean cold cuts with less snow.



ICE SYSTEMS □ FLUID CHILLERS □ THERMAL STORAGE

### TURBO REFRIGERATING, LLC

P.O. BOX 396  
DENTON, TX 76202  
940-387-4301  
FAX: 940-382-0364  
E-MAIL: [info@turboice.com](mailto:info@turboice.com)